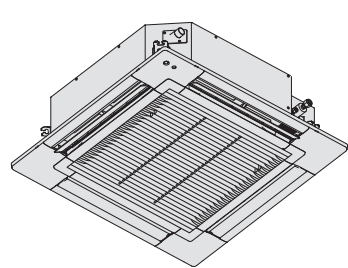


Operating Instructions  
Panel for Cassette (ECONAVI type)



Model No. CZ-KPU3A  
Applicable indoor unit : 4-Way Cassette



Before operating the unit, read these operating instructions thoroughly and keep them for future reference.

Thank you for purchasing this Panasonic product. This product is an optional of commercial air conditioner indoor unit. Installation instructions attached.

Contents

- Specifications.....2
- Safety Precautions.....3
- Precautions for Use.....5
- Names of Parts.....6
  - Detection Area of Sensor (Criteria).....6
  - How to Operate Remote Controller (Setting Method of Each Function).....7
  - ECONAVI Function.....9
  - Direct Airflow and Indirect Airflow Function.....11
  - Circulation Function.....12
  - External Device Interlock Function.....13
- Maintenance.....14
- Troubleshooting.....15

Product Information

If you have problems or questions concerning your Air Conditioner, you will need the following information. Model and serial numbers are on the nameplate.

Model No.	
Serial No.	
Date of purchase	
Dealer's address	
Phone number	

Specifications

<b>Model Name</b>	CZ-KPU3A
<b>Unit Dimensions</b>	(Width) 950mm × (Depth) 950mm × (High) 33.5mm
<b>Net Weight</b>	5 kg
<b>Temperature / Humidity Range</b>	0°C to 40°C / 20% to 80% (Indoor use only)
<b>Power Source</b>	DC16 V (Supplied from indoor unit)

Precautions for Use

Installation

● This optional of must be installed properly by qualified installation technicians in accordance with the Installation Instructions provided with the unit.

Wiring

- All wiring must conform to the local electrical codes. (Consult your dealer or a qualified electrician for details.)
- Each unit must be properly grounded with a ground (or earth) wire or through the supply wiring.
- Wiring must be done by a qualified electrician.

Operation Preparation

Turn the power mains on 5 hours before the start of operation.  
(For warm-up)  
● Leave the power mains ON for continuous use.

NOTE

Pull off the power plug from a receptacle, or switch off the breaker, or switch off the power disconnecting mean to isolate the air conditioner from the main power supply when not in use for a long time.

Tips for Energy Saving

■ Avoid

- Do not block the air intake and outlet of the unit. (If either is obstructed, the unit will not function well, causing malfunction.)
- During cooling operation, use sunshades, blinds or curtains to prevent direct sunlight from entering the room.

■ Do

- Always keep the air filter clean. (A clogged filter will impair the performance of the unit.)  
→ "Maintenance" (P.14)
- To prevent conditioned air from escaping, keep windows, doors and any other openings closed.

Information for Users on Collection and Disposal of Old Equipment and Used Batteries

These symbols on the products, packaging, and/or accompanying documents mean that used electrical and electronic products and batteries should not be mixed with general household waste.

For proper treatment, recovery and recycling of old products and used batteries, please take them to applicable collection points, in accordance with your national legislation and the Directives 2002/96/EC and 2006/66/EC. By disposing of these products and batteries correctly, you will help to save valuable resources and prevent any potential negative effects on human health and the environment which could otherwise arise from inappropriate waste handling.

For more information about collection and recycling of old products and batteries, please contact your local municipality, your waste disposal service or the point of sale where you purchased the items. Penalties may be applicable for incorrect disposal of this waste, in accordance with national legislation.

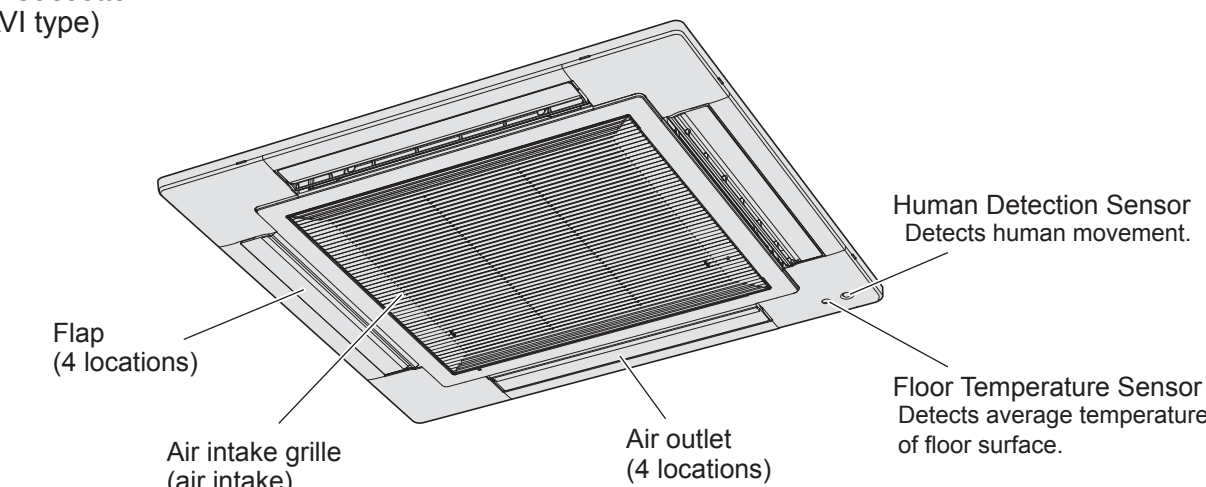
**For business users in the European Union**  
If you wish to discard electrical and electronic equipment, please contact your dealer or supplier for further information.

**[Information on Disposal in other Countries outside the European Union]**  
These symbols are only valid in the European Union. If you wish to discard these items, please contact your local authorities or dealer and ask for the correct method of disposal.

**Note for the battery symbol (bottom two symbol examples):**  
This symbol might be used in combination with a chemical symbol. In this case it complies with the requirement set by the Directive for the chemical involved.

Names of Parts

■ Panel for Cassette (ECONAVI type)



NOTE

- Since the Human Detection Sensor enables to detect the heat transfer, it can not only detect human but it can detect coexisting high-temperature objects. (For example, movement of animals, swinging head freestanding type infrared heater, etc.)
- The Human Detection Sensor cannot detect human presence in some cases listed below.
  - In case of less human movement
  - In case of less exposure of the skin
  - In case of more than 30°C of room temperature
  - In case of greasy dirt, soot, dust, scratches adhered to a surface of Human Detection Sensor
- Since the Floor Temperature Sensor measures the average temperature of the floor surface in the detection area, there is a possibility that the sensor is influenced by a heat source existed in the range of the detection area. When taking advantage of the function with the influence of the floor temperature (circulate function), pay attention to the placement of a heat source.

CE Panasonic Corporation  
1006 Kadoma, Kadoma City, Osaka, Japan CV6233335650

Panasonic Corporation  
Website: <http://www.panasonic.com>

Authorised representative in EU  
Panasonic Testing Centre  
Panasonic Marketing Europe GmbH  
Winsbergring 15, 22525 Hamburg, Germany

85464609363000  
DC0816-0

© Panasonic Corporation 2016  
Printed in JAPAN

Safety Precautions

The following symbols used in this manual, alert you to potentially dangerous conditions to users, service personnel or the appliance:

<p><b>WARNING</b> This symbol refers to a hazard or unsafe practice which can result in severe personal injury or death.</p>	<p><b>CAUTION</b> This symbol refers to a hazard or unsafe practice which can result in personal injury or product or property damage.</p>
<p>Prohibited matters</p>	<p>Matters to be observed</p>

- Read these Operating Instructions carefully before using this air conditioner. If you still have any difficulties or problems, consult your dealer for help.
- This air conditioner is designed to give you comfortable room conditions. Use this only for its intended purpose as described in these Operating Instructions.

WARNING

- ❗ Confirm to authorized dealer or specialist on usage of specified refrigerant type. Using of refrigerant other than the specified type may cause product damage, burst and injury etc.
- ⊘ Do not use ECONAVI function when only a disabled person or infant staying at home. If a small movement of human body continues for a long time, Panel for cassette (ECONAVI type) recognizes human absence and air conditioner may sometimes stop operating.
- ⊘ Do not use this appliance in a potentially explosive atmosphere. Never touch the unit with wet hands.
- ⊘ Do not insert your fingers or other objects into the air conditioner indoor or outdoor unit, rotating parts may cause injury.

- ❗ If the refrigerant comes in contact with a flame, it produces a toxic gas. For safety, be sure to turn the air conditioner off and also to disconnect the power before cleaning or servicing. Pull off the power plug from a receptacle, or switch off the breaker, or switch off the power disconnecting mean to isolate the air conditioner from the main power supply in case of emergency.

- ⊘ Do not clean inside the indoor and outdoor units by users. Engage authorized dealer or specialist for cleaning. In case of malfunction of this appliance, do not repair by yourself. Contact to the sales dealer or service dealer for a repair.

CAUTION

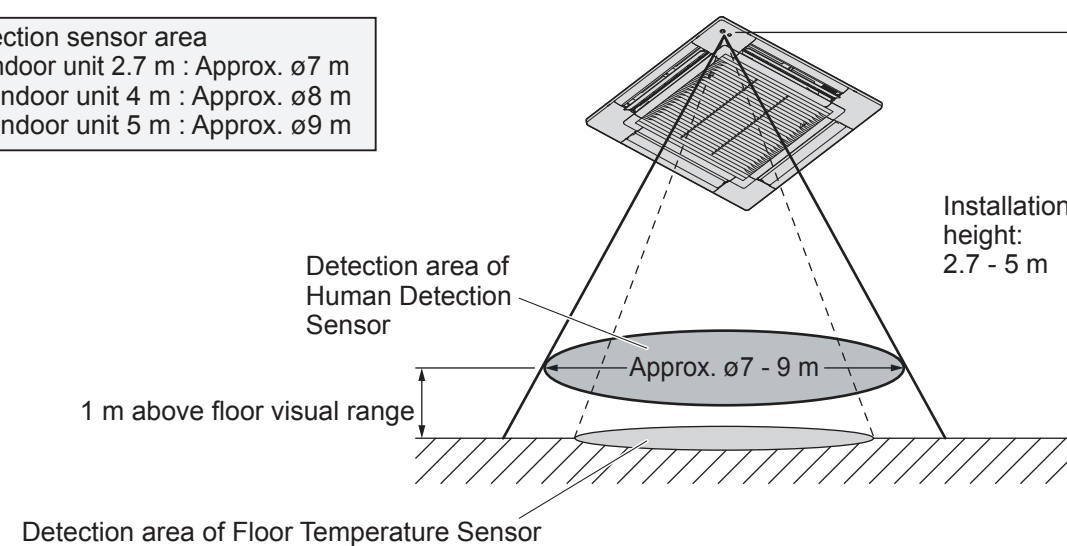
- ❗ This appliance is intended to be used by expert or trained users in shops, in light industry and on farms, or for commercial use by lay persons. This appliance is not intended for use by persons (including children) with reduced physical, sensory or mental capabilities, or lack of experience and knowledge, unless they have been given supervision or instruction concerning use of the appliance by a person responsible for their safety. Children should be supervised to ensure that they do not play with the appliance. <for European market only> This appliance can be used by children aged from 8 years and above and persons with reduced physical, sensory or mental capabilities if they have been given supervision or instruction concerning use of the appliance in a safe way and understand the hazards involved. Children shall not play with the appliance. Cleaning and user maintenance shall not be made by children without supervision. Keep the fire alarm and the air outlet at least 1.5m away from the unit. Do not cool or heat the room too much if babies or invalids are present.
- ⊘ Do not turn the air conditioner on and off from the power mains switch. Use the ON/OFF operation button. Do not stick anything into the air outlet of the outdoor unit. This is dangerous because the fan is rotating at high speed. Do not touch the air inlet or the sharp aluminum fins of the outdoor unit. You may get injured. Do not stick any object into the FAN CASE. You may be injured and the unit may be damaged.

NOTICE

- The compressor may occasionally stop during thunderstorms. This is not a mechanical failure. The unit automatically recovers after a few minutes.
- The English text is the original instructions. Other languages are translation of the original instructions.
- Do not install at the following locations. Humid, oily, frequent vibration, direct sunlight, nearby heat source, frost (Cause of malfunction) Noise occurrence (Cause of malfunction)
- Panel for cassette (ECONAVI type) is only for indoor use.
- Do not scratch the surface of the sensor. (Cause of detected error)
- Do not press the sensor forcibly. (Cause of damage)
- If any heating or cooling sources exists within the detection area, the sensor may sometimes cannot detect correctly.
- Do not wipe with benzine, thinner or disposal cloth. (Cause of discoloration or deformation) In case of heavy dirt, mix a tiny amount of neutral detergent with water and soak it into a soft cloth, squeeze well and gently wipe off the dirt. Then, wipe with a soft dry cloth.
- Do not install improper optional parts simultaneously with the Panel for cassette (ECONAVI type). (Cause of malfunction) See the catalogue and confirm whether a combination use is valid or invalid.
- The movement of human body on the opposite side of the mirror cannot be detected.
- After actuation, it takes 2 to 5 minutes to verify the judgment of presence and absence.

Detection Area of Sensor (Criteria)

Criteria of human detection sensor area  
 • Installation height of indoor unit 2.7 m : Approx. ø7 m  
 • Installation height of indoor unit 4 m : Approx. ø8 m  
 • Installation height of indoor unit 5 m : Approx. ø9 m



NOTE

- The further human is away from the Human Detection Sensor, the larger the movement of human body is required to be detected.
- A place where the blind angle of the Human Detection Sensor cannot detect human.
- If there is a heat source or cooling unit in the detection area, the sensor cannot occasionally detect properly.
- The Floor Temperature Sensor detects within the sensor area of the Human Detection Sensor.

How to Operate Remote Controller (Setting Method of Each Function)

Refer to the Operating Instructions provided with the remote controller.

NOTE

If the Operating Instructions supplied with the remote controller in use does not give descriptions of the ECONAVI function, direct airflow / indirect airflow function, circulation function and external device interlock function, the in-use remote controller is not available to these functions.

Sample of remote control display (CZ-RTC5A) when setting the ECONAVI function:

**ECONAVI** is displayed when setting the ECONAVI function. (In case of sensor error, **ECONAVI** is displayed in the same position. See the Section "Troubleshooting" on page 15.)

- Circulation Function Displays when setting.
- Direct Airflow / Indirect Airflow Function Displays when setting.
- Appears during circulation operation.



# ECONAVI Function

The amount of human activity is measured by the Human Detection Sensor and the unit operates in energy saving mode according to the amount of human activity and indoor humidity.

## In case of more physical human activity



- **In Cooling / Dry Mode:**  
When in high humid, operates at set temperature.  
When in low humid, operates at higher temperature than the set temperature.
- **In Heating Mode:**  
Operates at lower temperature than the set temperature.

## In case of less physical human activity



- **In Cooling / Dry Mode:**  
Operates at higher temperature than the set temperature.
- **In Heating Mode:**  
When in low humid, operates at set temperature.  
When in high humid, operates at lower temperature than the set temperature.

## In case of human absence



\*If human is detected in absence operation mode, the operation condition is resumed depending on the amount of human activity.

- **When absence mode continued for about 20 minutes**
  - **In Cooling / Dry Mode:**  
Operates at higher temperature than that of human presence.
  - **In Heating Mode:**  
Operates at lower temperature than that of human presence.
- **When absence mode continued for about 1 hour**  
Operates in the designated human absence operating mode. When setting the temperature for a shipment, energy saving operation continues under controlled temperature. (For absence operating mode, see "NOTE" on page 10.)

## WARNING

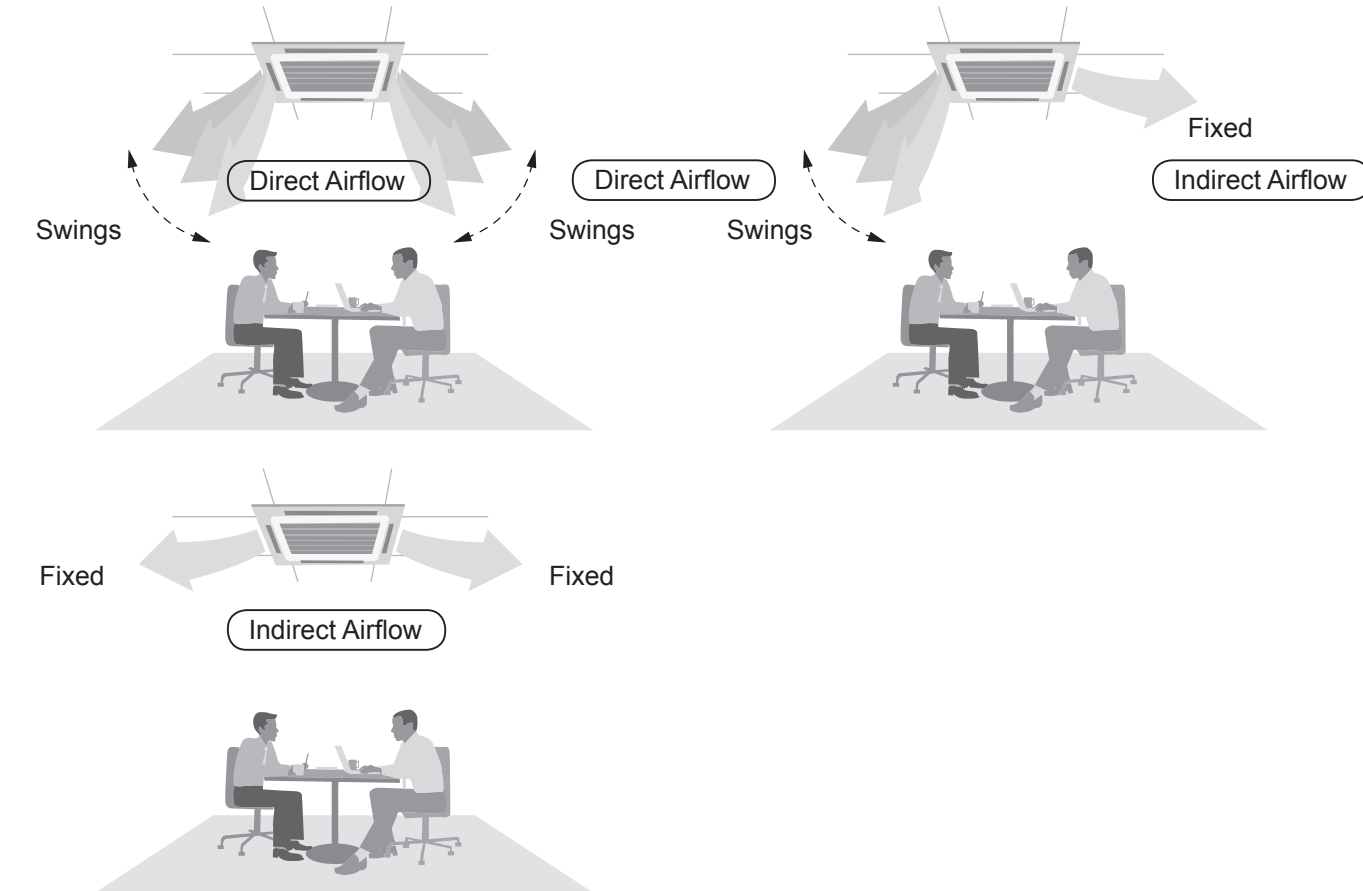
Do not use ECONAVI function when only a disabled person or infant staying at home. If a small movement of human body continues for a long time, Panel for cassette (ECONAVI type) recognizes human absence and air conditioner may sometimes stop operating.

9

# Direct Airflow and Indirect Airflow Function

The Human Detection Sensor can detect the human presence and perform the Direct Airflow or Indirect Airflow function when the human is present within the detection area.

- **Direct Airflow**  
Human presence: The air flow swings up and down around the human body in cooling/heating mode.  
Human absence: The air flow is directed to the floor according to the direction setup.
- **Indirect Airflow**  
Human presence: The flap is set in horizontal direction and the air flow is not directed toward the human body.  
Human absence: The air flow is directed to the floor according to the direction setup.



## NOTE

- When setting the Direct Airflow / Indirect Airflow function, the remote controller provided with Direct Airflow / Indirect Airflow function is required.
- When only the ECONAVI function switched on, Direct Airflow / Indirect Airflow function can be operated.
- The setting of the Direct Airflow / Indirect Airflow function can be made by the remote controller according to each flap of the indoor unit.
- This function does not guarantee that the air flow will direct toward the human body or not.
- As for the setting method of the Direct Airflow / Indirect Airflow function, refer to the Operating Instructions of the remote controller.

11

## NOTE

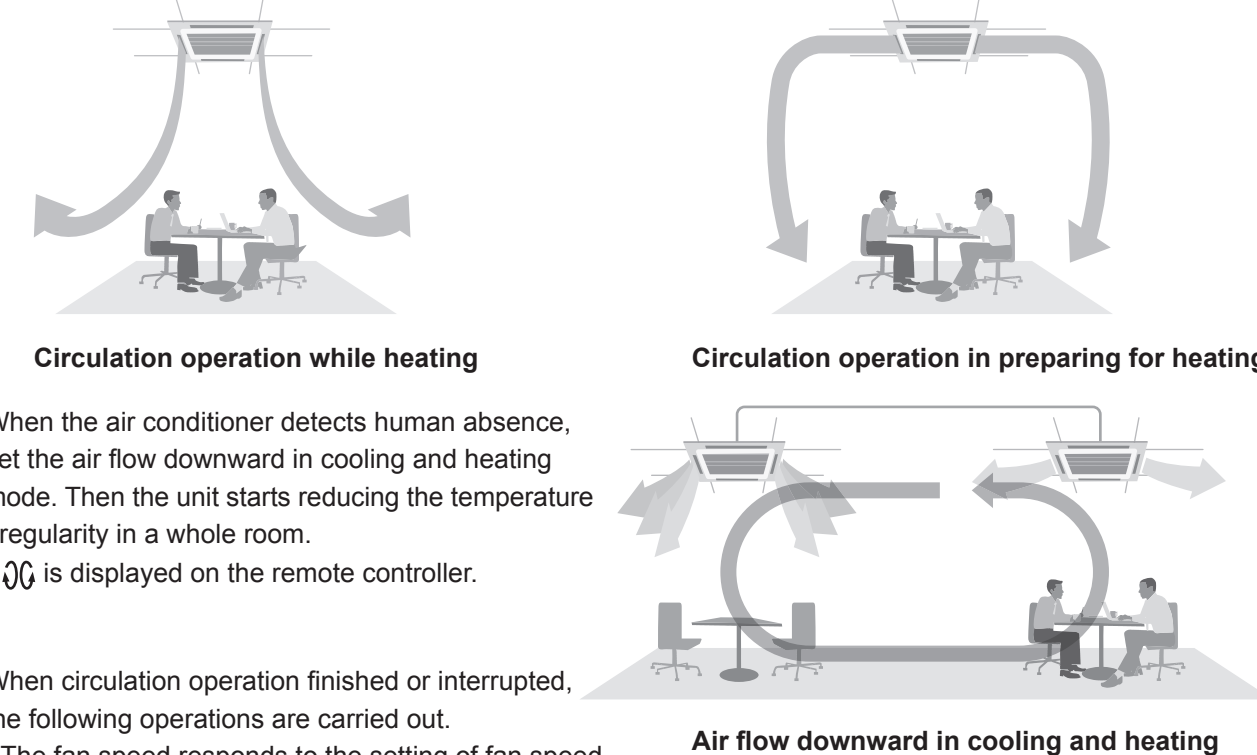
- When setting the ECONAVI function, it is necessary to use the remote controller provided with the ECONAVI function.
- ON / OFF setting of the ECONAVI function is available by the remote controller.
- The time between the absence detected by the Human Detection Sensor and the start of absence operation can be set by the remote controller (At shipment: 1 hour or every 30 minutes between 30 min and 180 min can be available to change).
- It is possible to choose from 4 types of absence operating mode by the remote controller.
  - (1) Without setting  
Energy saving operation under controlled temperature continues.  
When a human is detected, the operation returns depending on the amount of human activity. (At shipment)
  - (2) Standby mode  
Cooling, dry and heating operation are stopped and only fan (breeze) is operated.  
When a human is detected, the operation returns depending on the amount of human activity.
  - (3) Stop mode (No restart)  
Operation is stopped. After stopped, no operation is restarted although human is detected.
  - (4) Stop mode (Restart)  
Operation is stopped. After stopped and when human is detected, the operation is restarted depending on the amount of human activity.
- Even though the targeted temperature is changed by the ECONAVI function, the set temperature displayed on the remote controller will not be changed.
- Even though the operation is changed to fan operation mode due to the absence operation (standby mode), the operation mode displayed on the remote controller will not be changed.
- When operating the multiple indoor units, the effect of energy saving will be decreased according to the room condition.
- As for the setting method of the ECONAVI function, refer to the Operating Instructions of the remote controller.

10

# Circulation Function

When the low floor temperature is detected by Floor Temperature Sensor in heating mode or high floor temperature is detected in cooling mode, the circulation function is operated in order to reduce the temperature irregularity between the surroundings of ceiling and floor. The circulation function is operated although the unit is in preparation for heating in the single split system.

- The circulation operation while heating is operated as shown below.
  - The air flow is automatically changed.
  - is displayed on the remote controller.
- The circulation operation in preparing for heating (thermostat off) is operated as shown below.
  - Flap is positioned in horizontal.
  - is displayed on the remote controller.



- When the air conditioner detects human absence, set the air flow downward in cooling and heating mode. Then the unit starts reducing the temperature irregularity in a whole room.
  - is displayed on the remote controller.
- When circulation operation finished or interrupted, the following operations are carried out.
  - The fan speed responds to the setting of fan speed.
  - The air flow responds to the setting of air flow direction.
  - is not displayed on the remote controller.

## NOTE

- When setting the circulation function, the remote controller provided with the circulation function is required.
- When only the circulation function switched on, the circulation function can be operated.
- ON/OFF setting of the circulation function can be made by the remote controller according to each indoor unit.
- If the operation mode/fan speed/air flow is changed during circulation operation, the circulation will be interrupted. The cases listed below will not carry out the circulation in heating mode.
  - <When Human Detection Sensor is detecting human presence>
    - When the air flow is not directed toward the human body (When setting the indirect airflow or airflow horizontally, etc.)
    - When the individual air flow is made at immobilized setting
    - When the specific operation mode setting is made (Defrosting or low discharge temperature)
    - When setting the changes of the fan speed and air flow are prohibited by central control system
    - When the fan speed is fixed (No automatic air flow setting is made.)
    - When the auto flap setting is made
  - <When Human Detection Sensor is not detecting human presence>
    - When the auto flap setting is made
- As for the setting method of the circulation function, refer to the Operating Instructions of the remote controller.

12

# External Device Interlock Function

When taking advantage of the external device interlock function, one of the output of Human Detection Sensor, output of thermostat ON or output of operation signal can be selected and it is possible to interlock with the external device.

## Contents of Control

- Interlock with the output of Human Detection Sensor output (No interlock with the alarm.)  
Human presence → When human absence detected: Set the operation of external device to OFF.  
The time change of "Absence detection time setting" can change timing of operation OFF.  
Human absence → When human presence detected: Set the operation of external device to ON.
- Interlock with human detection sensor output (Interlock with air conditioner.)  
When the indoor unit is operated: Operation of external device is switched ON.  
When the indoor unit is stopped: Operation of external device is switched OFF.
- Interlock with thermostat output  
When the thermostat is switched ON: Operation of external device is switched ON.  
When the thermostat is switched OFF: Operation of external device is switched OFF.

## NOTE

- The external output signal from the air conditioner is supplied for the purpose of controlling the external devices. If the air conditioner does not operate, take measures that the movement of external connecting devices can transfer to the safety zone in advance.
- The external output signal from the air conditioner is turned off when the blackout occurs. If any special considerations are needed in case of blackout, provide an external circuit.
- As for the setting method of the external device interlock, refer to the Operating Instructions of the remote controller.
- The setting of valid or invalid of the external device interlock function is possible.
- It is possible to make setting the time (setting at shipment: 0 min) from absence detection until switching off the external unit operation. (0 ~ 60 min or 1-minute interval)
- In order to make setting of the external device interlock, it is necessary to use the remote controller provided with the external device interlock function.

13

# Troubleshooting

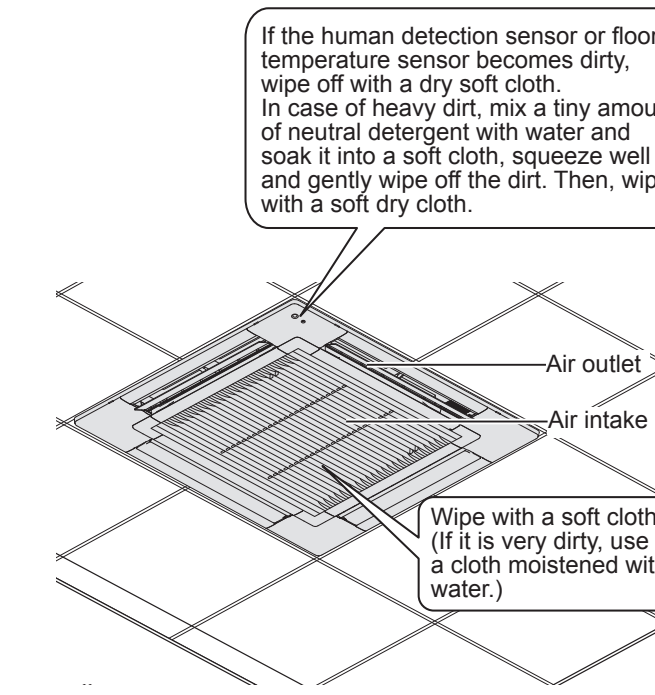
Check before consulting or requesting services.

Symptom	Cause / Countermeasure
Unable to detect human presence	<ul style="list-style-type: none"> <li>• Are there any objects below Human Detection Sensor? → Move it to other places not to disturb detection.</li> <li>• Human presence is judged by detecting heat transfer and temperature change. The cases listed below may judge no human presence. -Small difference between body temp. and room temp. (In case of over 30°C room temperature) -Away from Human Detection Sensor -Small exposed area of skin</li> <li>• Does Human Detection Sensor get dirty? → Wipe Sensor with a clean soft cloth (page 14).</li> </ul>
Air flow is not directed despite setting of Direct Airflow.	<ul style="list-style-type: none"> <li>• Human Detection Sensor may not detect presence. → See Symptom's "Unable to detect human presence".</li> <li>• Direct Airflow might be invalid by individual air flow direction fixed setting. → Cancel it by remote controller.</li> <li>• Air flow is not directed according to locations. (This function does not guarantee the air flow is directed.) → Fix the flap position so that the air flow can be directed.</li> </ul>
Air flow is directed despite setting of Indirect Airflow.	<ul style="list-style-type: none"> <li>• Human motion sensor may not detect human presence. → See Symptom "Unable to detect human presence".</li> <li>• Indirect Airflow might be invalid by individual air flow direction fixed setting. → Cancel it by remote controller.</li> <li>• Air flow is directed according to locations. (This function does not guarantee the air flow is not directed.) → Fix the flap position not to make the air flow directed toward human body.</li> </ul>
Circulation operation does not start despite setting of circulation function.	<ul style="list-style-type: none"> <li>• Circulation operation cannot always start immediately after setting the circulation function.</li> <li>• Air conditioner itself determines necessity of circulation operation and starts and stops automatically.</li> <li>• Floor temperature sensor might be influenced by the temperature for measuring average temperature of the floor temperature within detection area if any heat source exists. Affected by high floor temperature detected, circulation operation may not sometimes start. → It is suggested that heat sources be moved out of detection area.</li> </ul>
Circulation operation was canceled.	<ul style="list-style-type: none"> <li>• When air conditioner itself determines circulation operation is unnecessary, it stops automatically.</li> <li>• If air flow direction or fan speed is changed while operating, it is temporarily canceled.</li> </ul>

15

# Maintenance

Indoor Unit (e.g. Type U2)



## WARNING

- For safety, be sure to turn the air conditioner off and disconnect the power before cleaning.  
(Otherwise, electric shock or injury may result because the fan is rotating at high speed.)
- Do not pour water on the indoor unit.  
(This may damage the internal components and cause an electric shock hazard.)

## CAUTION

- Never use solvents or harsh chemicals. Also, do not use plastic parts using very hot water.  
(This may cause deformation or change in colour.)
- Some metal edges and fins are sharp. Be careful when you clean those parts.  
(injury may result.)
- Use a firm stool or ladder when cleaning an indoor unit installed in high locations.
- The internal coil and other components of the outdoor unit must be cleaned periodically.  
• Consult your dealer or service center.

14

Symptom	Cause / Countermeasure
Fan speed changed arbitrarily.	<ul style="list-style-type: none"> <li>• Fan speed may sometimes change automatically during circulation operation.</li> </ul>
External device does not interlock with Human Detection Sensor even after external device interlock setting was made.	<ul style="list-style-type: none"> <li>• Human Detection Sensor may not detect human presence. → See Symptom's "Unable to detect human presence".</li> <li>• External device interlock mode might be set in the air conditioner interlock. → Change it to sensor interlock mode by remote controller. (Refer to Operating Instructions of remote controller.)</li> <li>• It takes 2 to 5 minutes until Human Detection Sensor recognizes human absence after human leaves. → Set the above setting time to 0-minute by remote controller. (Refer to Operating Instructions of remote controller.) It takes 2 to 5 minutes until human absence is recognized by Human Detection Sensor.</li> <li>• The time setting until operation of external device turned off after the Human Detection Sensor recognizes human absence might be set longer. → Set the above setting time to 0-minute by remote controller. (Refer to Operating Instructions of remote controller.) It takes 2 to 5 minutes until human absence is recognized by Human Detection Sensor.</li> </ul>
ECONAVI is displayed.	<ul style="list-style-type: none"> <li>• Sensor failure might be occurred or installation is not made properly. → Set the ECONAVI function to OFF by remote controller and consult at the shop you purchased.</li> </ul>
ECONAVI is not displayed on remote controller.	<ul style="list-style-type: none"> <li>• Is the indoor unit stopped? → Set the indoor unit to temporarily operate and check the display.</li> <li>• Is the operation mode set in air flow? → Set to the operation mode temporarily excepting air flow and check the display.</li> <li>• Is the ECONAVI function set to OFF? → Set the ECONAVI function to ON by the remote controller.</li> <li>• The remote controller might not be provided with the ECONAVI function. → If no content of ECONAVI function is described in the Operating Instructions of remote controller, the remote controller is not provided with the ECONAVI function. Consult the shop you purchased.</li> <li>• The indoor unit might not be provided with the ECONAVI function. → If the symptom does not change even after remote control operation, the indoor unit is not provided with the ECONAVI function. Consult the shop you purchased.</li> </ul>

16