

PRODUCT FEATURES

- ▶ Super quiet with noise level only 31dB(A) @ 1m on high speed
- ▶ DC motor for superior performance and energy efficiency
- ▶ Constant air volume output promises performance and widens spec-in solutions
- ▶ 24 hour ventilation settings to avoid mould and damp issues
- ▶ Built in 15 minute run-on timer, no external timer is required
- ▶ Built in backdraft damper meets BCA requirements
- ▶ Slim profile and compact design making it suitable for tight ceilings
- ▶ Light weight making installation easier
- ▶ Intelligent motion sensor detects human activity for auto on/off (FV-24JR2 only)
- ▶ Peace of mind with 3 year parts and labour warranty

FV-24JR2 (WITH MOTION SENSOR)

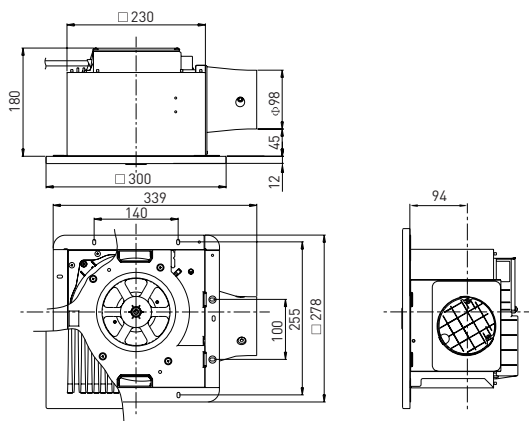


FV-24JA2



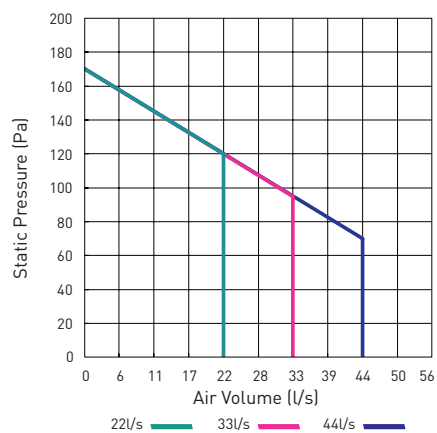
DIMENSION DRAWINGS

FV-24JR2 & FV-24JA2



PERFORMANCE CURVE

FV-24JR2 & FV-24JA2



MODEL	ELECTRICAL SUPPLY	AIR VOLUME [l/s]	POWER CONSUMPTION [W]	NOISE @ 1m [dB(A)]	NET WEIGHT [kg]	INSTALLATION CUT-OUT [mm]	DUCT DIAMETER [mm]
FV-24JR2 & FV-24JA2	220V - 240V SINGLE PHASE 50Hz	44 33 22	8 5.2 3.6	31 26 20	2.9	240x240	100

For more information please contact:

Panasonic Australia Pty Limited

1 Innovation Road, Macquarie Park, NSW 2113. ABN 83 001 592 187

www.panasonic.com.au