

Panasonic

Basic Owner's Manual Manuel d'utilisation Fonctions de base

Digital Wireless Stereo Headphones Casque d'écoute stéréo sans fil numérique

Model No. / Modèle **RB-M500B**
RB-M300B

Thank you for purchasing this product.
Please read these instructions carefully before using this product, and save this manual for future use.

Nous vous remercions d'avoir arrêté votre choix sur cet appareil.
Avant d'utiliser l'appareil, il est recommandé de lire attentivement ce manuel d'utilisation et de le conserver pour consultation ultérieure.

Register online at <http://shop.panasonic.com/support> (U.S. customers only)

If you have any questions, visit:
In the U.S.A.:
<http://shop.panasonic.com/support>
In Canada:
www.panasonic.ca/english/support
Pour toute assistance supplémentaire, visitez :
www.panasonic.ca/french/support

E

Manufactured by: Panasonic Corporation
Kadoma, Osaka, Japan
Authorized Representative in Europe: Panasonic Marketing Europe GmbH
Panasonic Testing Centre
Winsbergiring 15, 22525 Hamburg, Germany

Panasonic Corporation of North America
Two Riverfront Plaza,
Newark, NJ 07102-5490
<http://shop.panasonic.com>

© Panasonic Corporation 2019
Printed in China/Imprimé en Chine

Panasonic Canada Inc.
5770 Ambler Drive, Mississauga,
Ontario L4W 2T3
www.panasonic.com

Panasonic Corporation
<http://www.panasonic.com>

TQB0M669-1
F1219MH1020

English

More detailed operating instructions are available in "Owner's Manual (PDF format)".
To read it, download it from the website.
https://panasonic.jp/support/global/cs/accessories/o/rb_m700b
• Click the desired language.



Français (Canada)

Un mode d'emploi plus détaillé est disponible dans "Manuel d'utilisation (format PDF)".
Pour le lire, le télécharger depuis le site web.
https://panasonic.jp/support/global/cs/accessories/o/rb_m700b/
• Cliquer sur la langue souhaitée.

English

Expressions used in this document

- The product illustrations may differ from the actual product.
- Unless otherwise indicated, illustrations in these operating instructions are of RB-M500B.

Marks denoting model names

Functionality differences between models are indicated with the model marks below.
RB-M500B : RB-M500B RB-M300B : RB-M300B

Français (Canada)

Expressions utilisées dans ce document

- Les illustrations du produit peuvent différer du produit réel.
- Sauf indication contraire, les illustrations présentes dans ce manuel d'utilisation représentent le RB-M500B.

Symbols différenciant les noms de modèle

Les différences de fonctionnalité entre les modèles sont indiquées par les symboles ci-dessous.
RB-M500B : RB-M500B RB-M300B : RB-M300B

For the United Kingdom and Ireland customers

Sales and Support Information

- Customer Communications Centre
- For customers within the UK: 0344 844 3899
- For customers within Ireland: 01 289 8333
- Monday – Friday 9:00 am – 5:00 pm (Excluding public holidays).
- For further support on your product, please visit our website: www.panasonic.co.uk

Direct Sales at Panasonic UK

- Order accessory and consumable items for your product with ease and confidence by phoning our Customer Communications Centre Monday – Friday 9:00 am – 5:00 pm (Excluding public holidays).
- Or go on line through our Internet Accessory ordering application at www.pas-europe.com.
- Most major credit and debit cards accepted.
- All enquiries transactions and distribution facilities are provided directly by Panasonic UK.
- It couldn't be simpler!
- Also available through our Internet is direct shopping for a wide range of finished products. Take a browse on our website for further details.

For Australia

Panasonic Australia Pty. Ltd. 1 Innovation Road, Macquarie Park NSW 1513

Provides a 12 month parts & labour warranty on this product for manufacturing defects from date of purchase. In addition to your rights under this warranty, Panasonic products come with consumer guarantees that cannot be excluded under the Australian Consumer Law. If there is a major failure with the product, you can reject the product and elect to have a refund or to have the product replaced or if you wish you may elect to keep the goods and be compensated for the drop in value of the goods. You are also entitled to have the product repaired or replaced if the product fails to be of acceptable quality and the failure does not amount to a major failure.

For full details or to claim warranty please contact Panasonic Customer Care on 132 600 or visit www.panasonic.com.au

PRO-031-F10-File 2.0 August 2016

English

IMPORTANT SAFETY INSTRUCTIONS

Read these operating instructions carefully before using the unit. Follow the safety instructions on the unit and the applicable safety instructions listed below. Keep these operating instructions handy for future reference.

- Read these instructions.
- Keep these instructions.
- Heed all warnings.
- Follow all instructions.
- Do not use this apparatus near water.
- Clean only with dry cloth.
- Do not block any ventilation openings. Install in accordance with the manufacturer's instructions.
- Do not install near any heat sources such as radiators, heat registers, stoves, or other apparatus (including amplifiers) that produce heat.
- Do not defeat the safety purpose of the polarized or grounding-type plug. A polarized plug has two blades with one wider than the other. A grounding-type plug has two blades and a third grounding prong. The wide blade or the third prong are provided for your safety. If the provided plug does not fit into your outlet, consult an electrician for replacement of the obsolete outlet.
- Protect the power cord from being walked on or pinched particularly at plugs, convenience receptacles, and the point where they exit from the apparatus.
- Only use attachments/accessories specified by the manufacturer.
- Use only with the cart, stand, tripod, bracket, or table specified by the manufacturer, or sold with the apparatus. When a cart is used, use caution when moving the cart/apparatus combination to avoid injury from tip-over.
- Unplug this apparatus during lightning storms or when unused for long periods of time.
- Refer all servicing to qualified service personnel. Servicing is required when the apparatus has been damaged in any way, such as power-supply cord or plug is damaged, liquid has been spilled or objects have fallen into the apparatus, the apparatus has been exposed to rain or moisture, does not operate normally, or has been dropped.

Safety precautions

A lithium ion battery that is rechargeable powers the product you have purchased. Please call 1-800-8-BATTERY for information on how to recycle this battery.

THE FOLLOWING APPLIES ONLY IN THE U.S.A. AND CANADA.

This device complies with Part 15 of FCC Rules and Innovation, Science and Economic Development Canada's licence-exempt RSS(s). Operation is subject to the following two conditions: (1) this device may not cause interference, and (2) this device must accept any interference, including interference that may cause undesired operation.

RB-M500B FCC ID: ACJ-RB-M500B
Model: RB-M500B
IC: 216A-RBM500B

RB-M300B FCC ID: ACJ-RB-M300B
Model: RB-M300B
IC: 216A-RBM500B

This transmitter must not be co-located or operated in conjunction with any other antenna or transmitter.

This equipment complies with FCC/ISED radiation exposure limits set forth for an uncontrolled environment and meets the FCC radio frequency (RF) Exposure Guidelines and RSS-102 of the ISED radio frequency (RF) Exposure rules as this equipment has very low levels of RF energy.

THE FOLLOWING APPLIES ONLY IN THE U.S.A. FCC Note:

This equipment has been tested and found to comply with the limits for a Class B digital device, pursuant to Part 15 of the FCC Rules. These limits are designed to provide reasonable protection against harmful interference in a residential installation. This equipment generates, uses, and can radiate radio frequency energy and, if not installed and used in accordance with the instructions, may cause harmful interference to radio communications. However, there is no guarantee that interference will not occur in a particular installation. If this equipment does cause harmful interference to radio or television reception, which can be determined by turning the equipment off and on, the user is encouraged to try to correct the interference by one or more of the following measures:

- Reorient or relocate the receiving antenna.
- Increase the separation between the equipment and receiver.
- Connect the equipment into an outlet on a circuit different from that to which the receiver is connected.
- Consult the dealer or an experienced radio/TV technician for help.

FCC Caution: Any unauthorized changes or modifications to this equipment would void the user's authority to operate this device.

This device complies with Part 15 of the FCC Rules. Operation is subject to the following two conditions: (1) This device may not cause harmful interference, and (2) this device must accept any interference received, including interference that may cause undesired operation.

Supplier's Declaration of Conformity

Trade Name: Panasonic Model No.: RB-M500B
Trade Name: Panasonic Model No.: RB-M300B
Responsible Party: Panasonic Corporation of North America
Two Riverfront Plaza, Newark, NJ 07102-5490

Support Contact: <http://shop.panasonic.com/support>

THE FOLLOWING APPLIES ONLY IN CANADA. CAN ICES-3(B)/NMB-3(B)



Conforms to UL STD 62368-1. Certified to CAN/CSA STD C22.2 No. 62368-1. Conforme à la norme CAN/CISA C22.2 No. 62368-1.



Unit

WARNING:
To reduce the risk of fire, electric shock or product damage,
• Do not expose this unit to rain, moisture, dripping or splashing.
• Do not place objects filled with liquids, such as vases, on this unit.
• Use the recommended accessories.
• Do not remove covers.
• Do not repair this unit by yourself. Refer servicing to qualified service personnel.
Avoid the use in the following conditions
• High or low extreme temperatures during use, storage or transportation.
• Disposal of a battery into fire or a hot oven, or mechanically crushing or cutting of a battery, that can result in an explosion.
• Extremely high temperature and/or extremely low air pressure that can result in an explosion or the leakage of flammable liquid or gas.

- Avoid using or placing this unit near sources of heat.
- Do not listen with this unit at high volume in places where you need to hear sounds from the surrounding environment for safety, such as at railroad crossings, and construction sites.
- Wide band characteristic voltage equal or larger than 75 mV.
- Keep this unit away from something susceptible to the magnetism. Such devices as a clock may not operate correctly.
- When using this unit in an airplane, heed the instructions given by the airline company. Some airlines may forbid your using the unit. For further details, contact the airline you will be flying with.

- Allergies**
Discontinue use if you experience discomfort with the ear pads or any other parts that directly contact your skin.
- Continued use may cause rashes or other allergic reactions.

- Precautions for listening with the Headphones**
Excessive sound pressure from earphones and headphones can cause hearing loss.
- Do not use your headphones at a high volume. Hearing experts advise against continuous extended play.
- If you experience a ringing in your ears, reduce volume or discontinue use.
- Do not use while operating a motorized vehicle. It may create a traffic hazard and is illegal in many areas.
- You should use extreme caution or temporarily discontinue use in potentially hazardous situations.

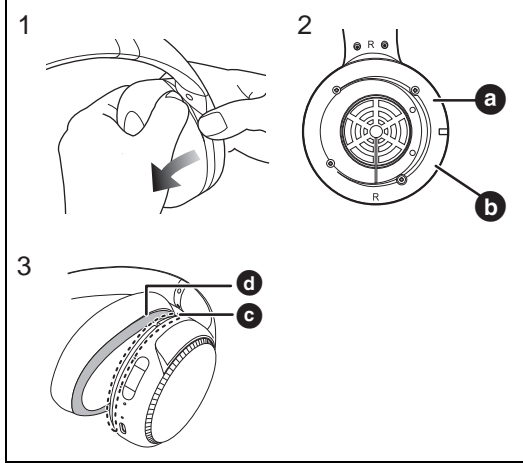
This unit may receive radio interference caused by mobile telephones during use. If such interference occurs, please increase separation between this unit and the mobile telephone.

Use only the supplied USB charging cord when connecting to a computer.

This unit is intended for use in moderate and tropical climates.

- Remove the right ear pad to view certification information.
- Certification information (E) is indicated on the speaker plate portion (a), which becomes visible when the right ear pad (R side) is removed.
- To attach the ear pad, fit the part (c) of the ear pad into the part (e).

If you pull the ear pad too much, the ear pad can tear.



Declaration of Conformity (DoC)

Hereby, "Panasonic Corporation" declares that this product is in compliance with the essential requirements and other relevant provisions of Directive 2014/53/EU. Customers can download a copy of the original DoC to our RE products from our DoC server: <http://www.ptc.panasonic.eu>
Contact to Authorised Representative: Panasonic Marketing Europe GmbH, Panasonic Testing Centre, Winsbergiring 15, 22525 Hamburg, Germany

Type of wireless	Frequency band	Maximum power (dBm e.i.r.p)
Bluetooth®	2402 - 2480 MHz	4 dBm

Only for European Union and countries with recycling systems
These symbols indicate separate collection of waste electrical and electronic equipment or waste batteries. More detailed information is contained in "Owner's Manual (PDF format)".

The serial number of this product can be found on the left side of the headphones.
Remove the left ear pad to see it.
Please note them in the space provided below and keep for future reference.
MODEL NUMBER
SERIAL NUMBER

User memo:

DATE OF PURCHASE _____
DEALER NAME _____
DEALER ADDRESS _____
TELEPHONE NUMBER _____

DATE OF PURCHASE _____
DEALER NAME _____
DEALER ADDRESS _____
TELEPHONE NUMBER _____

For the hearing or speech impaired TTY: 1- 877-833-8855

Limited Warranty (ONLY FOR U.S.A.)

Panasonic Products Limited Warranty

Limited Warranty Coverage
If your product does not work properly because of a defect in materials or workmanship, Panasonic Corporation of North America (referred to as "the warrantor") will, for the length of the period indicated on the chart below, which starts with the date of original purchase ("warranty period"), at its option either (a) repair your product with new or refurbished parts, (b) replace it with a new or a refurbished equivalent value product, or (c) refund your purchase price. The decision to repair, replace or refund will be made by the warrantor.

Product or Part Name	Parts	Labor
Headphones/ Earphones/Headset	1 year	Not Applicable
All included Accessories	90 days	Not Applicable

During the "Labor" warranty period there will be no charge for labor. During the "Parts" warranty period, there will be no charge for parts. This Limited Warranty excludes both parts and labor for non-rechargeable batteries, antennas, and cosmetic parts (cabinet). This warranty only applies to products purchased and serviced in the United States. This warranty is extended only to the original purchaser of a new product which was not sold "as is".

Mail-In Service—Online Repair Request

Online Repair Request
To submit a new repair request and for quick repair status visit our Web Site at <http://shop.panasonic.com/support>

When shipping the unit, carefully pack, include all supplied accessories listed in the Owner's Manual, and send it prepaid, adequately insured and packed well in a carton box. When shipping Lithium Ion batteries please visit our Web Site at <http://shop.panasonic.com/support> as Panasonic is committed to providing the most up to date information. Include a letter detailing the complaint, a return address and provide a daytime phone number where you can be reached. A valid registered receipt is required under the Limited Warranty.

IF REPAIR IS NEEDED DURING THE WARRANTY PERIOD, THE PURCHASER WILL BE REQUIRED TO FURNISH A SALES RECEIPT/PROOF OF PURCHASE INDICATING DATE OF PURCHASE, AMOUNT PAID AND PLACE OF PURCHASE. CUSTOMER WILL BE CHARGED FOR THE REPAIR OF ANY UNIT RECEIVED WITHOUT SUCH PROOF OF PURCHASE.

Limited Warranty Limits and Exclusions

This warranty ONLY COVERS failures due to defects in materials or workmanship, and DOES NOT COVER normal wear and tear or cosmetic damage. The warranty ALSO DOES NOT COVER damages which occurred in shipment, or failures which are caused by products not supplied by the warrantor, or failures which result from accidents, misuse, abuse, neglect, mishandling, misapplication, alteration, faulty installation, set-up adjustments, misadjustment of consumer controls, improper maintenance, power line surge, lightning damage, modification, introduction of sand, humidity or liquids, commercial use such as hotel, office, restaurant, or other business or rental use of the product, or service by anyone other than a Factory Service Center or other Authorized Servicer, or damage that is attributable to acts of God.

THESE ARE NO EXPRESS WARRANTIES EXCEPT AS LISTED UNDER "LIMITED WARRANTY COVERAGE". THE WARRANTOR IS NOT LIABLE FOR INCIDENTAL OR CONSEQUENTIAL DAMAGES RESULTING FROM THE USE OF THIS PRODUCT, OR ARISING OUT OF ANY BREACH OF THIS WARRANTY. (As examples, this excludes damages for lost time, travel to and from the servicer, loss of or damage to media or images, data or other memory or recorded content). The items listed are not exclusive, but for illustration only).

ALL EXPRESS AND IMPLIED WARRANTIES, INCLUDING THE WARRANTY OF MERCHANTABILITY, ARE LIMITED TO THE PERIOD OF THE LIMITED WARRANTY. Some states do not allow the exclusion or limitation of incidental or consequential damages, or limitations on how long an implied warranty lasts, so the exclusions may not apply to you. This warranty gives you specific legal rights and you may also have other rights which vary from state to state. If a problem with this product develops during or after the warranty period, you may contact your dealer or Service Center. If the problem is not handled to your satisfaction, then write to:

Panasonic Corporation of North America
Consumer Affairs Department 8th Fl.
Two Riverfront Plaza
Newark NJ 07 102-5490

PARTS AND SERVICE, WHICH ARE NOT COVERED BY THIS LIMITED WARRANTY, ARE YOUR RESPONSIBILITY.

Shop Accessories!

for all your Panasonic gear

Go to <http://shop.panasonic.com/support>

Get everything you need to get the most out of your Panasonic products
Accessories & Parts for your Camera, Phone, A/V products, TV, Computers & Networking, Personal Care, Home Appliances, Headphones, Batteries, Backup Chargers & more...

Customer Services Directory

For Product Information, Operating Assistance, Parts, Owner's Manuals, Dealer and Service info go to <http://shop.panasonic.com/support>

For the hearing or speech impaired TTY: 1- 877-833-8855

As of December 2019

Limited Warranty (ONLY FOR CANADA)

Panasonic Canada Inc.

5770 Ambler Drive, Mississauga, Ontario L4W 2T3

PANASONIC PRODUCT – LIMITED WARRANTY EXCHANGE PROGRAM

Panasonic Canada Inc. warrants this product to be free from defects in material and workmanship under normal use and for a period as stated below from the date of original purchase agrees to, at its option either (a) repair your product with new or refurbished parts, (b) replace it with a new or a refurbished equivalent value product, or (c) refund your purchase price. The decision to repair, replace or refund will be made by Panasonic Canada Inc.

Accessories	One (1) year
-------------	--------------

This warranty is given only to the original purchaser, or the person for whom it was purchased as a gift, of a Panasonic brand product mentioned above sold by an authorized "Panasonic dealer" in Canada and purchased and used in Canada, which product was not sold "as is", and which product was delivered to you in new condition in the original packaging.

IN ORDER TO BE ELIGIBLE TO RECEIVE WARRANTY SERVICE HEREUNDER, A PURCHASE RECEIPT OR OTHER PROOF OF DATE OF ORIGINAL PURCHASE, SHOWING AMOUNT PAID AND PLACE OF PURCHASE IS REQUIRED

LIMITATIONS AND EXCLUSIONS

This warranty ONLY COVERS failures due to defects in materials or workmanship, and DOES NOT COVER normal wear and tear or cosmetic damage. The warranty ALSO DOES NOT COVER damages which occurred in shipment, or failures which are caused by products not supplied by Panasonic Canada Inc., or failures which result from accidents, misuse, abuse, neglect, mishandling, misapplication, alteration, faulty installation, set-up adjustments, misadjustment of consumer controls, improper maintenance, power line surge, lightning damage, modification, introduction of sand, humidity or liquids, commercial use such as hotel, office, restaurant, or other business or rental use of the product, or service by anyone other than a Authorized Servicer, or damage that is attributable to acts of God.

Dry cell batteries are also excluded from coverage under this warranty.

THIS EXPRESS, LIMITED WARRANTY IS IN LIEU OF ALL OTHER WARRANTIES, EXPRESS OR IMPLIED, INCLUDING ANY IMPLIED WARRANTIES OF MERCHANTABILITY AND FITNESS FOR A PARTICULAR PURPOSE. IN NO EVENT WILL PANASONIC CANADA INC. BE LIABLE FOR ANY SPECIAL, INDIRECT OR CONSEQUENTIAL DAMAGES RESULTING FROM THE USE OF THIS PRODUCT OR ARISING OUT OF ANY BREACH OF ANY EXPRESS OR IMPLIED WARRANTY. (As examples, this warranty excludes damages for lost time, travel to and from the Authorized Servicer, loss of or damage to media or images, data or other memory or recorded content. This list of items is not exhaustive, but for illustration only.)

In certain instances, some jurisdictions do not allow the exclusion or limitation of incidental or consequential damages, or the exclusion of implied warranties, so the above limitations and exclusions may not be applicable. This warranty gives you specific legal rights and you may have other rights which vary depending on your province or territory.

CONTACT INFORMATION

For product operation and information assistance, please visit our Support page:
www.panasonic.ca/english/support

For defective product exchange within the warranty period, please contact the original dealer.

Useful information (Only for Latin American countries)

Customer Service

Customer Service Directory

Obtain products information and operative assistant; localize the closest distributor or Service Center; buy spare parts and accessories by our Web Site to Latin America or calling our Contact Center:

COUNTRY	WEB SITE	CONTACT CENTER
Panama	www.panasonic.com/pa/soporte/	800-7262
Colombia	www.panasonic.com/co/soporte/	01-8000-947262
Ecuador	www.panasonic.com/pa/soporte/	1-800-726276
Costa Rica	www.panasonic.com/pa/soporte/	800-7262737
El Salvador	www.panasonic.com/pa/soporte/	800-7262
Guatemala	www.panasonic.com/pa/soporte/	1-801-811-7262
Uruguay	www.panasonic.com/pa/soporte/	0-800-7262
Paraguay	www.panasonic.com/pa/soporte/	0-800-11-7262
Chile	www.panasonic.com/cl/soporte/	800-390-602 022-797-5000
Peru	www.panasonic.com/pa/soporte/	0800-00726
Venezuela	www.panasonic.com/pa/soporte/	800-7262-800
Mexico	www.panasonic.com/mx/soporte/	01800-847-7262 55-5000-1200
Argentina	www.panasonic.com/ar/soporte/	0800-333-7262 0110-321-7262
Dominican Rep.	www.panasonic.com/pa/soporte/	809-200-8000

For Caribbean countries that speak English please enter this web site in order to find information of our products and operative assistant: www.panasonic.com/caribbean

Français (Canada)

IMPORTANTES MISES EN GARDE

Avant d'utiliser l'appareil, lire attentivement les instructions qui suivent. Se conformer tout particulièrement aux avertissements inscrits sur l'appareil et aux consignes de sécurité indiquées ci-dessous. Conserver le présent manuel pour consultation ultérieure.

- Lire attentivement ces instructions.
- Conservé ces instructions.
- Lire toutes les mises en garde.
- Suivre toutes les instructions.
- Ne pas utiliser cet appareil près d'une source d'eau.
- Ne nettoyer qu'avec un chiffon sec.
- Ne pas bloquer les événements d'aération. Installer l'appareil selon les instructions du fabricant.
- Ne pas installer l'appareil près d'un appareil de chauffage tel qu'un radiateur ou un poêle, un registre de chaleur ou tout dispositif émettant de la chaleur (y compris un amplificateur).
- Pour des raisons de sécurité, ne pas modifier la fiche polarisée ou celle de mise à la terre. Une fiche polarisée est une fiche à deux lames, dont une plus large. Une fiche de mise à la terre est une fiche à deux lames avec une broche de masse. La lame plus large ou la broche de masse procure une protection accrue. Si ce genre de fiche ne peut être inséré dans une prise de courant, communiquer avec un électricien pour remplacer la prise.
- S'assurer que le cordon est placé dans un endroit où il ne risque pas d'être écrasé, piétiné ou coincé. Faire particulièrement attention à ses extrémités de branchement, y compris sa fiche.
- N'utiliser que des accessoires ou périphériques recommandés par le fabricant.
- N'utiliser l'appareil qu'avec un chariot, meuble, trépied, support ou table recommandé par le fabricant ou vendu avec l'appareil. Lors de l'utilisation d'un chariot, le déplacer avec le plus grand soin afin d'éviter tout dommage.
- Débrancher cet appareil lors d'un orage ou en cas de non-utilisation prolongée.
- Confier l'appareil à un technicien qualifié pour toute réparation: cordon d'alimentation ou fiche endommagée, liquide renversé ou objet tombé dans l'appareil, exposition à la pluie ou à une humidité excessive, mauvais fonctionnement ou échappement de l'appareil.

L'appareil que vous vous êtes procuré est alimenté par une batterie au lithium-ion. Pour des renseignements sur le recyclage de la batterie, veuillez composer le 1-800-8-BATTERY.

Précautions de sécurité

For US and Canada only
Pour les E.-U. et le Canada seulement

CE QUI S'UNIT NE S'APPLIQUE QU' AUX ÉTATS-UNIS ET AU CANADA.

Le présent appareil est conforme à la partie 15 des règles de la FCC et aux CNR d'Innovation, Sciences et Développement économique Canada applicables aux appareils radio exempts de licence. L'exploitation est autorisée aux deux conditions suivantes: (1) l'appareil ne doit pas produire de brouillage, et (2) l'appareil doit accepter tout brouillage radioélectrique subi, même si le brouillage est susceptible d'en compromettre le fonctionnement.

RB-M500B FCC ID: ACJ-RB-M500B
Modèle: RB-M500B
IC: 216A-RBM500B

RB-M300B FCC ID: ACJ-RB-M300B
Modèle: RB-M300B
IC: 216A-RBM500B

Cet équipement est conforme aux limites d'exposition aux rayonnements énoncées pour un environnement non contrôlé et respecte les règles d'exposition radioélectriques (RF) de la FCC et les lignes directrices d'exposition aux fréquences radioélectriques (RF) CNR-102 de l'ISDE puisque cet appareil émet une énergie RF très faible.

CE QUI S'UNIT NE S'APPLIQUE QU'AU CANADA. CAN ICES-3(B)/NMB-3(B)

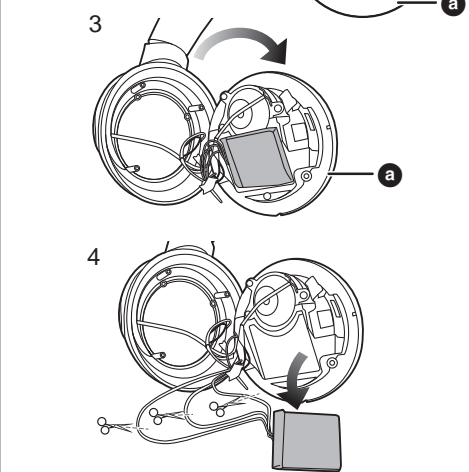
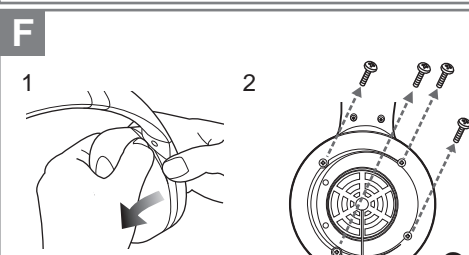
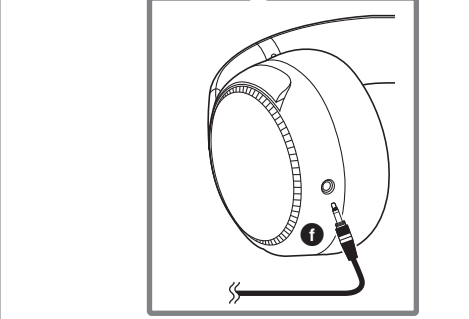
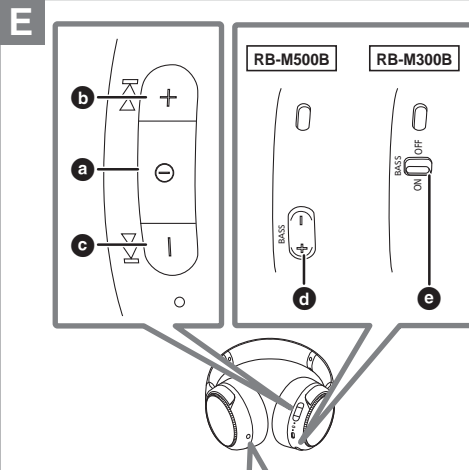
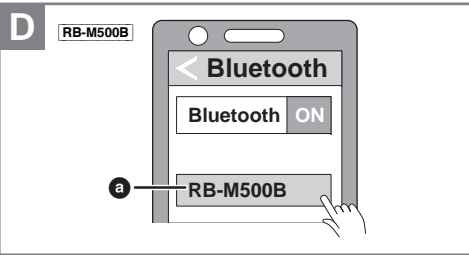
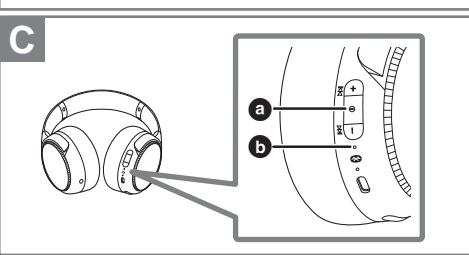
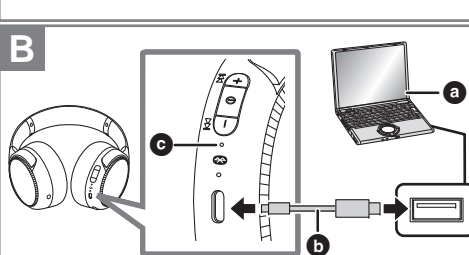
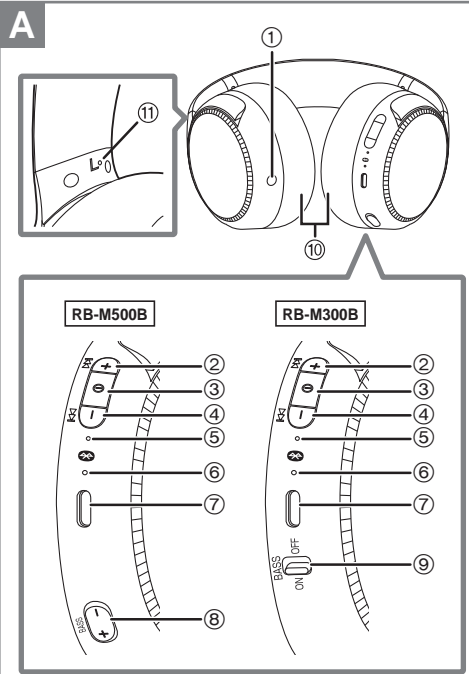
Appareil

- ATTENTION :**
Pour réduire les risques d'incendie, de choc électrique ou de dommages à l'appareil:
 - Ne pas exposer cet appareil à la pluie, à l'humidité, aux gouttes ou aux éclaboussures.
 - Ne pas placer d'objet rempli de liquide, comme des vases, sur cet appareil.
 - Utiliser les accessoires recommandés.
 - Ne pas retirer les couvercles.
 - Ne pas réparer cet appareil par soi-même. Référer la réparation à un personnel de service qualifié.

Éviter les conditions suivantes :

- Températures extrêmement basses ou élevées durant l'utilisation, le stockage ou le transport.
- Mise au rebut d'une batterie dans le feu ou dans un grand chaud, ou écoulement ou rupture mécanique d'une batterie, pouvant entraîner une explosion.
- Température extrêmement élevée et/ou pression de l'air extrêmement basse pouvant entraîner une explosion ou une fuite de liquide ou de gaz inflammable.

- Éviter d



A

Unless otherwise indicated, illustrations in these operating instructions are of RB-M500B.

Functionality differences between models are indicated with the model marks below.

RB-M500B RB-M500B RB-M300B RB-M300B

A Part names

- Audio input terminal
- [+] button
- [0] button
- [-] button
- Power/pairing LED
- Microphone
- Charging terminal (DC IN)
- RB-M500B [BASS +] [BASS -] button
- RB-M300B [BASS] switch
- Ear pads
- Raised dot indicating the left side

B Charging

The rechargeable battery (installed in the unit) is not charged initially. Charge the battery before using the unit.

Connect this unit to a computer (●) using the USB charging cord (supplied) (●).

- The power/pairing LED (●) lights in red when charging is in progress. When charging is completed, the power/pairing LED will go out.
- It takes approx. 4 hours to charge the battery from empty to full.
- Check the direction of the terminals and plug in/out straight holding onto the plug. (It may result in malfunction by the deforming of the terminal if it is plugged in obliquely or in wrong direction.)

- It is not possible to turn the power on or connect to Bluetooth® devices during charging.
- Make sure the computer is turned on and is not on standby or sleep mode.
- Do not use any other USB charging cords except the supplied one.
- When the battery starts running low during use of the unit, the blinking power/pairing LED will turn from blue to red. A beep will sound every 1 minute. When the battery runs out, an English guidance message will be heard and the power will turn off.

C Turning the power on/off

Press and hold [0] (●) of this unit for approx. 3 seconds until the power/pairing LED (blue) (●) blinks.

- A beep will sound, and the power/pairing LED (blue) will blink slowly.

To turn the power off
Press and hold [0] for approximately 3 seconds. An English guidance message will be heard, and the power will be turned off.

- If the unit is not connected to a Bluetooth® device, an English guidance message will be heard and turn off the unit automatically approximately 5 minutes after you have stopped using it. (Auto power off)
- Auto power off does not work when the detachable cord (supplied) is connected.

D Connecting a Bluetooth® device

Bluetooth® pairing

1 In the power-off state, press and hold [0] (●) of this unit until the power/pairing LED blinks.

- When pairing a device for the first time: approx. 3 seconds
- When pairing a second or subsequent devices: approx. 5 seconds

2 Turn on the power of the Bluetooth® device, and enable the Bluetooth® function.

3 Select "RB-M500B" or "RB-M300B" (●) from the Bluetooth® device's menu.

- If prompted for a passkey, input the passkey "0000 (four zeros)" of this unit.

- When the power/pairing LED (blue) blinks twice every approx. 2 seconds, pairing (registration) is completed. (Connection established)

■ Connecting a paired Bluetooth® device

1 Turn on this unit.

2 Perform steps 2 and 3 of "Bluetooth® pairing". (→ above)

- When the power/pairing LED (blue) blinks twice every approx. 2 seconds, pairing (registration) is completed. (Connection established)

E Using the headphones

When using the functions below that are indicated with the [X] mark, connect the Bluetooth® device and the unit.

■ Listening to music [X]

Select and play the music on the Bluetooth® device.

- The unit's headphones will output the music or the audio of the video being played back.

■ Remote controlling (Available only if your Bluetooth® device supports "AVRCP" Bluetooth® profiles) [X] (Operation example)

Play / Pause: Press [0] (●).

Increase the volume: Press [+] (●).

Decrease the volume: Press [-] (●).

Forward to the start of next track: Press and hold [+] for approximately 2 seconds.

Return to the start of current track: Press and hold [-] for approximately 2 seconds.

- The volume can be adjusted in 31 levels (16 levels during calls). When the maximum or minimum volume is reached, a beep will sound.

F To remove the battery when disposing of this unit

The following instructions are not intended for repairing purposes but for the disposal of this unit. This unit is not restorable once disassembled.

- When disposing of this unit, take out the battery installed in this unit and recycle it.

Regarding the handling of used battery

- Insulate the terminals with adhesive tape or similar material.
- Do not disassemble.

Battery

- Do not heat or expose to flame.
- Do not leave the battery in a car exposed to direct sunlight for a long period of time with doors and windows closed.
- Battery mishandling can cause electrolyte leakage which can damage items the leaked fluid comes into contact with. If electrolyte leaks from the battery, consult your dealer. Wash thoroughly with water if electrolyte comes in contact with any part of your body.
- When disposing of the battery, please contact your local authorities or dealer and ask for the correct method of disposal.

- Remove the left ear pad.
- Remove the 4 screws.
- Remove the part ● in step 2.
- Remove the battery, and cut off the wires one by one with scissors.

Copyright notice

This product uses open source software based on the Free Software Foundation's GPL and other conditions. The relevant conditions apply to the software. The license information for the GPL is shown on this product and information about open source software are published on our website. The source code licensed under the conditions of the GPL is available publicly. Please note that these types of software are not covered by warranty. At least 3 years from this sale of this product, Panasonic Corporation will give to any individual or group who contacts us, for a charge of no more than the cost of physically distributing source code, a complete machine-readable copy of the source code and the list of copyright notices corresponding to the GPL software covered under the conditions of the GPL usage agreement.

Refer to the following URL to make enquiries regarding the above mentioned content and for information on how to obtain the relevant source code:

<https://panasonic.jp/support/global/cs/audio/download/index.html>

For Thailand only

This telecommunication equipment conforms to NTC/NBTC technical requirement.

For Singapore only

Complies with IMDA Standards DB01017

■ [RB-M500B] Bass reactor

While playing back music or videos on a device connected via Bluetooth® Press [BASS +] (●) or [BASS -] (●) to adjust the Bass reactor strength level.

- This unit vibrates along with the bass of the music or video being played back.
- Bass reactor strength level: Off ← Low ↔ Middle ↔ High (The default value is Low.)
- Even when the power is turned off, the setting before turning it off will be stored to memory.
- The playback time depends on the music source and the Bass reactor strength level.
- This may not be effective depending on the music or video being played back.
- If you feel ill while using the Bass reactor, set the Bass reactor to Off.
- Turn on this unit to use the Bass reactor when using this unit with the detachable cord (supplied) connected.

■ [RB-M300B] Enhancing the bass (Bass enhancer)

You can enjoy music with enhanced bass.

Slide [BASS] switch (●) to ON.

To turn off the bass enhancer function

When [BASS] switch is slid to OFF, the bass enhancer function will turn off.

■ Making a phone call [X]

- Press [0] (●) on the unit and answer the incoming call. (HFP only) To reject the incoming call, press [0] twice quickly.

2 Start talking.

3 Press [0] (●) to end the phone call.

- (HFP only) It may be difficult to hear phone conversations when the unit is used in locations with loud ambient noise or in outdoor or other locations exposed to powerful winds. In that case, change the calling location or switch the calling device to the Bluetooth® enabled phone to continue the call. (Press [0] on the unit twice quickly to switch.)

- You can have the Bluetooth® enabled phone make phone calls by using the microphone of the unit and an app of the Bluetooth® enabled phone. (→ below, "Activating voice functions")

■ Activating voice functions [X]

You can use a button on this unit to activate Siri or other voice functions on your smartphone or similar device.

Press [0] (●) of this unit twice quickly.

■ Using the detachable cord (supplied)

While the power is turned off or the battery has no remaining charge, this unit can be used as normal headphones by connecting the detachable cord (supplied). (●)

- If you connect the detachable cord (supplied) during Bluetooth® connection, the Bluetooth® connection will be lost. (RB-M500B) The unit turns off.

- Noise may occur due to dirt on the plug. Clean the plug with a soft dry cloth if this occurs.

- Do not use any other detachable cords except the supplied one.
- RB-M500B When the detachable cord (supplied) is connected and the power is turned on, you can use the Bass reactor. However, the volume cannot be adjusted in this case.

■ Restoring to the factory settings

When pairing a device after restoring the unit.

- While the power is turned off, press and hold [0] (●) for at least 5 seconds until the power/pairing LED lights alternately in blue and red.

- While the power/pairing LED is lighting alternately in blue and red, press and hold [+] (●) and [-] (●) at the same time for at least 5 seconds.

- The default settings will be restored after the power/pairing LED (blue) blinks fast and the unit turns off.

- When pairing a device again, delete the registering information (Device: "RB-M500B" or "RB-M300B") from the Bluetooth® device's menu, and register this unit with the Bluetooth® device again. (→ E)

F To remove the battery when disposing of this unit

The following instructions are not intended for repairing purposes but for the disposal of this unit. This unit is not restorable once disassembled.

- When disposing of this unit, take out the battery installed in this unit and recycle it.

Regarding the handling of used battery

- Insulate the terminals with adhesive tape or similar material.
- Do not disassemble.

Battery

- Do not heat or expose to flame.
- Do not leave the battery in a car exposed to direct sunlight for a long period of time with doors and windows closed.
- Battery mishandling can cause electrolyte leakage which can damage items the leaked fluid comes into contact with. If electrolyte leaks from the battery, consult your dealer. Wash thoroughly with water if electrolyte comes in contact with any part of your body.
- When disposing of the battery, please contact your local authorities or dealer and ask for the correct method of disposal.

- Remove the left ear pad.
- Remove the 4 screws.
- Remove the part ● in step 2.
- Remove the battery, and cut off the wires one by one with scissors.

Copyright notice

This product uses open source software based on the Free Software Foundation's GPL and other conditions. The relevant conditions apply to the software. The license information for the GPL is shown on this product and information about open source software are published on our website. The source code licensed under the conditions of the GPL is available publicly. Please note that these types of software are not covered by warranty. At least 3 years from this sale of this product, Panasonic Corporation will give to any individual or group who contacts us, for a charge of no more than the cost of physically distributing source code, a complete machine-readable copy of the source code and the list of copyright notices corresponding to the GPL software covered under the conditions of the GPL usage agreement.

Refer to the following URL to make enquiries regarding the above mentioned content and for information on how to obtain the relevant source code:

<https://panasonic.jp/support/global/cs/audio/download/index.html>

For Thailand only

This telecommunication equipment conforms to NTC/NBTC technical requirement.

For Singapore only

Complies with IMDA Standards DB01017

Troubleshooting

Before requesting service, make the following checks. If you are in doubt about some of the check points, or if the remedies indicated in the chart do not solve the problem, refer to "Customer Services Directory" on the front page if you reside in the U.S.A., or refer to "CONTACT INFORMATION" on the front page if you reside in Canada, or consult your dealer for instructions.

No sound.

- Make sure that the unit and the Bluetooth® device are connected correctly. (→ E)
- Check if music is playing on the Bluetooth® device.
- Make sure that the unit is turned on and the volume is not set too low.
- Pair and connect the Bluetooth® device and the unit again. (→ E)
- Check if the Bluetooth® compatible device supports "A2DP" profile. For details on profiles, see "Listening to music" in "Owner's Manual (PDF format)". Also refer to the operating manual for the Bluetooth® compatible device.

Cannot adjust the volume.

- The control button does not work when the detachable cord (supplied) is used.

Low volume.

- Increase the volume of the unit. (→ E)
- Increase the volume on the Bluetooth® device.

Sound from the device is cut off. / Too much noise. / Sound quality is bad.

- Sound may be disrupted if signals are blocked. Do not fully cover this unit with the palm of your hand, etc.
- The device may be out of the 10 m (33 ft) communication range. Move the device closer to this unit.
- Remove any obstacle between this unit and the device.
- Switch off any wireless LAN device when not in use.

The device cannot be connected.

- Delete the pairing information for this unit from the Bluetooth® device, then pair them again. (→ E)

You cannot hear the person on the other end of the call.

- Make sure that the unit and the Bluetooth® enabled phone are turned on.
- Check if the unit and the Bluetooth® enabled phone are connected. (→ E)
- Check the audio settings of the Bluetooth® enabled phone. Switch the calling device to the unit if it is set to the Bluetooth® enabled phone. (→ E)
- If the volume of the other person's voice is too low, increase the volume of both the unit and the Bluetooth® enabled phone.

Cannot make a phone call.

- Check if the Bluetooth® compatible device supports "HSP" or "HFP" profile. For details on profiles, see "Listening to music" and "Making a phone call" in "Owner's manual (PDF format)". Also refer to the operating manual for the Bluetooth® enabled phone.

The unit does not respond.

- This unit can be reset when all operations are rejected. To reset the unit, connect the unit to a computer using the USB charging cord. (The pairing device information will not be deleted.)

Cannot charge the unit.

- Is the USB port you are currently using working properly? If your computer has other USB ports, unplug the connector from its current port and plug it into one of the other ports.
- If the measures mentioned above are not applicable, unplug the USB charging cord and plug it in again.
- If the charge time and operating time become shortened, the battery may have run down. (Number of charging times of the installed battery: Approximately 300)

The power/pairing LED does not light during charging. / Charging takes longer.

- Is the USB charging cord connected firmly to the USB terminal of the computer? (→ E)
- Make sure to charge in a room temperature between 10 °C and 35 °C (50 °F to 95 °F).

The power does not turn on.

- Is the unit being charged? The power cannot be turned ON during charging. (→ E)

The audio guidance language has changed.

- The audio guidance language can be switched.
- (Press and hold [0] and [-] at the same time for at least 5 seconds.)

Specifications

■ General	
Power supply	DC 5 V, 300 mA (Internal battery: 3.7 V (Li-polymer))
Operating time ¹⁾	RB-M500B Approx. 30 hours (Bass Reactor off, SBC) RB-M300B Approx. 50 hours (SBC)
Charging time ²⁾ (25 °C (77 °F))	Approx. 4 hours
Charging temperature range	10 °C to 35 °C (50 °F to 95 °F)
Operating temperature range	0 °C to 40 °C (32 °F to 104 °F)
Operating humidity range	35 %RH to 80 %RH (no condensation)
Mass (Weight)	RB-M500B Approx. 316 g (11.1 oz) (without cord) RB-M300B Approx. 296 g (10.4 oz) (without cord)

■ Bluetooth® section

Frequency band	2402 MHz to 2480 MHz
Supported profiles	A2DP, AVRCP, HSP, HFP
Supported codec	SBC, AAC

■ Headphone section

Impedance	RB-M500B 27 Ω (Power off, with cord) RB-M300B 34 Ω (Power off, with cord)
-----------	--

■ Speaker section

Power handling capacity	1000 mW (IEC)
-------------------------	---------------

¹⁾ It may be shorter depending on the operating conditions.

²⁾ The time required to charge the battery from empty to full.

Specifications are subject to change without notice.

The Bluetooth® word mark and logos are registered trademarks owned by Bluetooth SIG, Inc. and any use of such marks by Panasonic Corporation is under license.

Other trademarks and trade names are those of their respective owners.

Siri is a trademarks of Apple Inc., registered in the U.S. and other countries.

QR Code is a registered trademark of DENSO WAVE INCORPORATED.

Other system names and product names appearing in this document are in general the registered trademarks or trademarks of the respective developer companies.

Note that the ™ mark and ® mark do not appear in this document.

For Thailand only

This telecommunication equipment conforms to NTC/NBTC technical requirement.

For Singapore only

Complies with IMDA Standards DB01017

Français (Canada)

Sauf indication contraire, les illustrations présentes dans ce manuel d'utilisation représentent le RB-M500B.

Les différences de fonctionnalité entre les modèles sont indiquées par les symboles ci-dessous.

RB-M500B RB-M500B RB-M300B RB-M300B

A Nom des pièces

- Prise d'entrée audio
- Touche [+]
- Touche [0]
- Touche [-]
- DEL d'alimentation/couplage
- Microphone
- Borne de charge (DC IN)
- RB-M500B Touche [BASS +] [BASS -]
- RB-M300B Commutateur [BASS]
- Coussinets
- Point surélevé indiquant le côté gauche

B Charge

La batterie rechargeable (installée dans l'appareil) n'est pas chargée initialement. La charger avant d'utiliser cet appareil.

Brancher cet appareil à un ordinateur (●) en utilisant le cordon de charge USB (fourni) (●).

- La DEL d'alimentation/couplage (●) s'allume en rouge lorsque la charge est en cours. Une fois la charge terminée, la DEL s'éteint. Il faut compter environ 4 heures pour charger entièrement la batterie.

- Vérifier le sens des fiches, puis les brancher/débrancher tout droit. (Une déformation de la borne peut entraîner un dysfonctionnement si la fiche est branchée obliquement ou dans une mauvaise direction.)

- Il n'est pas possible de mettre l'appareil sous tension ou de le connecter à des dispositifs Bluetooth® pendant la charge.
- S'assurer que l'ordinateur est en marche et qu'il n'est pas en attente ou en mode veille.
- Ne pas utiliser un autre cordon de charge USB, sauf celui fourni.

- Lorsque le niveau de la batterie commence à être faible lors de l'utilisation de l'appareil, la DEL d'alimentation/couplage clignote du bleu au rouge. Un bip se fait entendre chaque minute. Lorsque la batterie est déchargée, un message d'assistance en anglais se fait entendre et l'alimentation se coupe.

Cannot make a phone call.

- Check if the Bluetooth® compatible device supports "HSP" or "HFP" profile. For details on profiles, see "Listening to music" and "Making a phone call" in "Owner's manual (PDF format)". Also refer to the operating manual for the Bluetooth® enabled phone.

The unit does not respond.

- This unit can be reset when all operations are rejected. To reset the unit, connect the unit to a computer using the USB charging cord. (The pairing device information will not be deleted.)

Cannot charge the unit.

- Is the USB port you are currently using working properly? If your computer has other USB ports, unplug the connector from its current port and plug it into one of the other ports.
- If the measures mentioned above are not applicable, unplug the USB charging cord and plug it in again.
- If the charge time and operating time become shortened, the battery may have run down. (Number of charging times of the installed battery: Approximately 300)

The power/pairing LED does not light during charging. / Charging takes longer.

- Is the USB charging cord connected firmly to the USB terminal of the computer? (→ E)
- Make sure to charge in a room temperature between 10 °C and 35 °C (50 °F to 95 °F).

The power does not turn on.

- Is the unit being charged? The power cannot be turned ON during charging. (→ E)

The audio guidance language has changed.

- The audio guidance language can be switched.
- (Press and hold [0] and [-] at the same time for at least 5 seconds.)

Specifications

■ General	
Power supply	DC 5 V, 300 mA (Internal battery: 3.7 V (Li-polymer))
Operating time ¹⁾	RB-M500B Approx. 30 hours (Bass Reactor off, SBC) RB-M300B Approx. 50 hours (SBC)
Charging time ²⁾ (25 °C (77 °F))	Approx. 4 hours
Charging temperature range	10 °C to 35 °C (50 °F to 95 °F)
Operating temperature range	0 °C to 40 °C (32 °F to 104 °F)
Operating humidity range	35 %RH to 80 %RH (no condensation)
Mass (Weight)	RB-M500B Approx. 316 g (11.1 oz) (without cord) RB-M300B Approx. 296 g (10.4 oz) (without cord)

■ Bluetooth® section

Frequency band	2402 MHz to 2480 MHz
Supported profiles	A2DP, AVRCP, HSP, HFP
Supported codec	SBC, AAC

■ Headphone section

Impedance	RB-M500B 27 Ω (Power off, with cord) RB-M300B 34 Ω (Power off, with cord)
-----------	--

■ Speaker section

Power handling capacity	1000 mW (IEC)
-------------------------	---------------

¹⁾ It may be shorter depending on the operating conditions.

²⁾ The time required to charge the battery from empty to full.

Specifications are subject to change without notice.

The Bluetooth® word mark and logos are registered trademarks owned by Bluetooth SIG, Inc. and any use of such marks by Panasonic Corporation is under license.

Other trademarks and trade names are those of their respective owners.

Siri is a trademarks of Apple Inc., registered in the U.S. and other countries.

QR Code is a registered trademark of DENSO WAVE INCORPORATED.

Other system names and product names appearing in this document are in general the registered trademarks or trademarks of the respective developer companies.

Note that the ™ mark and ® mark do not appear in this document.

For Thailand only

This telecommunication equipment conforms to NTC/NBTC technical requirement.

For Singapore only

Complies with IMDA Standards DB01017

■ [RB-M500B] Réacteur des graves

Lors de la lecture de la musique ou des vidéos sur un dispositif connecté par Bluetooth®

Appuyer sur [BASS +] (●) ou sur [BASS -] (●) pour régler le niveau de puissance du réacteur des graves.

- Cet appareil vibre pendant que les graves de la musique ou du son de la vidéo sont produits.
- Niveau de puissance du réacteur des graves : Désactivé ↔ Faible ↔ Moyen ↔ Elevé (La valeur par défaut est Faible.)
- Le réglage effectué avant la mise hors marche de l'appareil est conservé en mémoire.</