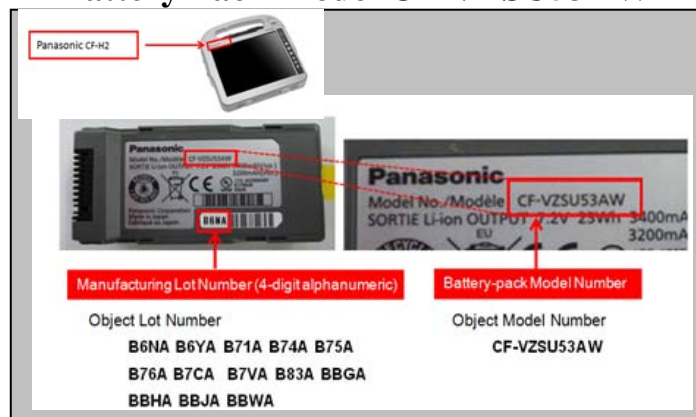


ELECTRICAL SAFETY RECALL

Rechargeable Battery Pack for CF-H2 Panasonic Tablet

Battery Pack Model CF-VZSU53AW



IDENTIFICATION: Model CF-VZSU53AW

Manufacturing Lot Numbers: B6NA, B6YA, B71A, B74A, B75A, B76A, B7CA, B7VA, B83A, BBGA, BBHA, BBJA, BBWA - The model number and the lot number can be found on the sticker attached to the battery.

This battery is used for the CF-H2 Panasonic Tablet and was sold with the Tablet and separately, as accessories in Australia from June 2011 to May 2012.

DEFECT: The battery may contain manufacturing defects and may overheat.

HAZARD: There is a risk that the battery pack may overheat and cause smoke or may ignite posing the risk of fire or burn hazard to consumers and to the CF-H2 Panasonic Tablet.

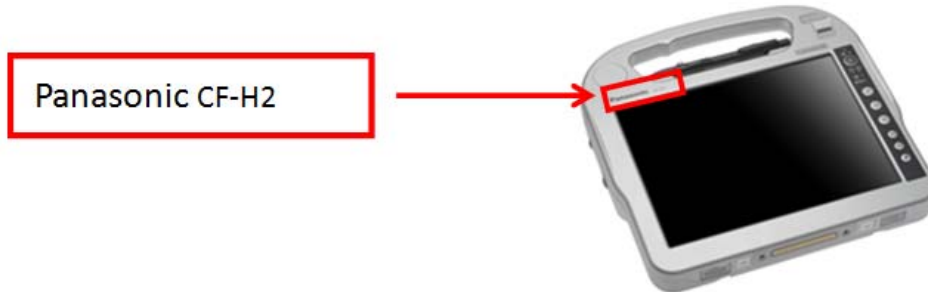
ACTION REQUIRED: Immediately turn off the CF-H2 Panasonic Tablet and inspect it to see if it contains the defective battery with the Manufacturing Lot Number.

Remove the battery (normally two per Tablet) and only use the Tablet with the AC Adapter and power cord from mains power until the battery is replaced. Contact Panasonic to determine if you are affected and to arrange for a free replacement battery (or two per Tablet).

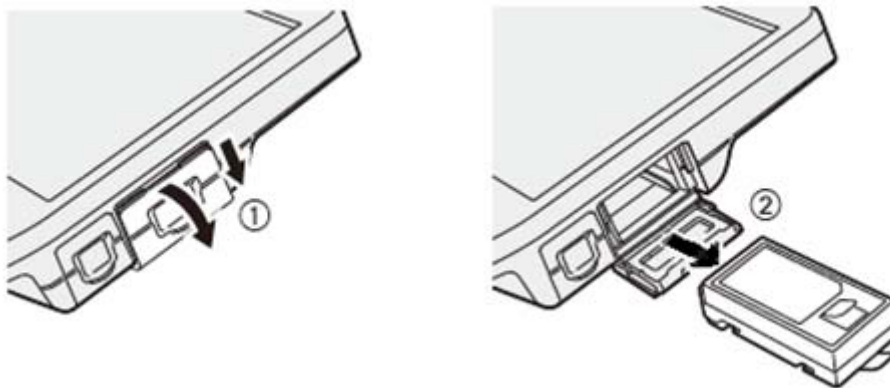
For further information: Contact Panasonic on the toll free number 1300 665 507 Monday to Friday between 8.30am and 6.00pm (AEST) or via email at panasonicCFH2battery@panasonic.mailus.com.au or go to www.panasonic.com.au

See www.recalls.gov.au for Australian product recall information

- Tablet PC Model Number:**
See the label on the unit (Refer to figures below).



- Removal of battery packs:**
Shut down the tablet and remove the battery pack.
* Please note there is a battery slot on each side of the tablet



- Battery-pack Model Number and Manufacturing Lot Number**
Look at the battery pack nameplate.
You will find the information specified by the battery-pack part number and manufacturing lot number. See chart below.



Manufacturing Lot Number (4-digit alphanumeric)

Battery-pack Model Number

Object Lot Number

Object Model Number

**B6NA B6YA B71A B74A B75A
B76A B7CA B7VA B83A BBGA
BBHA BBJA BBWA**

CF-VZSU53AW