

Panasonic

PM-ED2NLFR-W

2MP Fixed Turret IP Camera

Panasonic Cameras are developed to offer high security, ensuring the safety of customers in their homes, shops, and offices. Equipped with smart intelligence, these cameras detect events like line crossings and intrusion, the camera automatically activates white light upon detection, enhancing user security and peace of mind. Moreover, the cameras guarantee customer privacy through an advanced encryption algorithm and the Region of Interest (ROI) feature built into the camera.



  **NDA A**
COMPLIANT **H.265+ H.264**
H.265 JPEG  **SECURE** **IP67**
SSL ENCRYPTION

Key Features

- 2MP Fixed Turret Network Camera
- Digital Wide Dynamic Range
- Color Night Vision: 0.0462 lux @F2.2, AGC ON
- 10~20m IR night view distance
- 10~20m white light view distance
- IP67 protections from dust and water
- Advanced encryption and access control
- NDA A

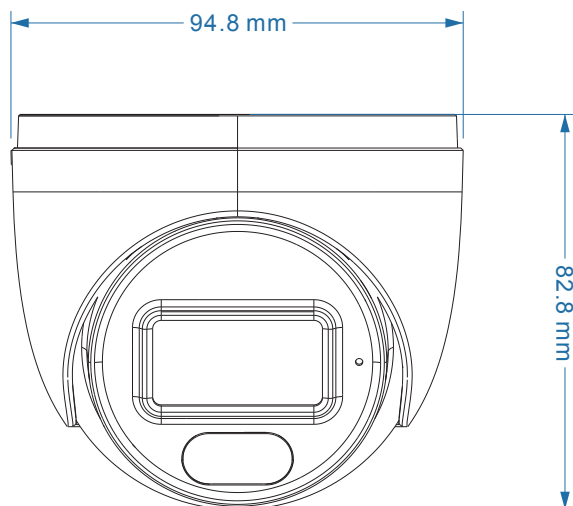
Specifications

CAMERA	
Type	2MP Fixed Turret Network Camera
Image Sensor	1/3"CMOS
Max Resolution	2MP (1920×1080)
Electronic Shutter	1/3s - 1/100000 s
Min. Illumination	0.0462 lux @F2.2, AGC ON
IR Distance / Light Range	IR range:10~20m White light range:10~20m
LENS	
Focal Length	2.8mm@F2.2
Focus	Fixed
Iris Type	Fixed Iris
Optical Zoom	
Angular Field of View	H.FoV: 93° V.FoV:52° D.FoV:106°
Day&Night	ICR
IMAGE	
Video Compression	Main stream: H.265+/H.265/H.264+/H.264 Sub stream: H.265+/H.265/H.264+/H.264
Resolution	1080P (1920×1080) 720P (1280×720) D1(704×480) VGA(640×480) 480×240 CIF(352×288)
Number of Supported Stream	2
Mainstream	60Hz: 1080P/720P (1~30fps) 50Hz: 1080P/720P (1~25fps)
Sub Stream	60Hz: D1/VGA/640×360/480×240/CIF (1~30fps) 50Hz: D1/VGA/640×360/480×240/CIF (1~25fps)
Third Stream	-
Bit Rate	64 Kbps ~ 3 Mbps
Bit Rate Type	VBR/CBR
Image Settings	ROI Saturation Brightness Hue Contrast Wide Dynamic Sharpness Image Mirror Image Flip NR etc. adjustable through client software or web browser
Audio Compression	G711A/U
Region Of Interest	Each ROI to be configured separately
OPERATIONAL	
Wide Dynamic Range	Digital WDR
Back Light Compensation (BLC)	Yes
High Light Compensation (HLC)	Yes
Defog	Yes
Digital Noise Reduction (DNR)	≥50dB
S/N ratio	≥50dB
Angle Adjustment	Pan: 0°~360° Tilt:0°~75° Rotation: 0°~360°
INTERFACES	
Network	RJ 45 10M/100M self-adaptive Ethernet port
Video	-
Audio	1CH built-in MIC
Storage	-
Alarm	-
DORI DISTANCE	
Lens	2.8
Detect	44m(144ft)
Observe	18m(59ft)
Recognize	9m(30ft)
Identify	4m(13ft)

Specifications

OTHER ANALYTICS	
Motion Detection	Yes
Smart Alarm	-
Smart Event	Region Intrusion Detection Line Crossing Detection Video Exception (Scene Change, Video Blur And Abnormal Color Detection)
FUNCTIONS	
Remote Monitoring	Web browser NVR Panasonic VMS 2.X Mobile APP
Web Browser	Chrome 89.0+ Edge 89.0+ Firefox 87.0+ Safari 14.0+
Online Connection	Support simultaneous monitoring for up to 3 users Support multi-stream real time transmission
Network Protocol	UDP, IPv4, IPv6, DHCP, DDNS, NTP, SNMP, RTSP, 802.1x, UPnP SMTP, FTP, HTTP, HTTPS, QoS
Interface Protocol	ONVIF S
Other Function	Watermark IP address filtering Video mask Heartbeat Smart supplement light Corridor pattern ANR Cloud upgrade
Security	Video encryption Firmware encryption HTTPS encryption Configuration encryption Illegal login lock IP address filtering 802.1x authentication Basic and digest authentication for HTTP/RTSP NDAA
GENERAL	
Power Supply	DC12V/PoE
PoE	Yes, IEEE802.3af
Power Consumption	< 5W
Weather Protection	IP67 protections from dust and water
Operating Environment	-20°C~55°C (-4°F~131°F) Humidity: less than 95% (non-condensing)
Storage Environment	-20°C~60°C (-4°F~140°F) Humidity: less than 95% (non-condensing)
Dimensions (mm)	Ø94.8×82.8
Weight (net)	Approx. 0.27KG
Installation	Ceiling mounting Wall mounting
Certificate	EMC: EN 55032:2015+A11:2020 EN 55035:2017+A11:2020 Safety: EN IEC 62368-1:2020+A11:2020 RoHS: 2011/65/EU

Appearance

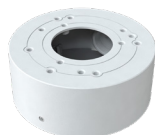


Optional Accesories

Mount Bracket



PM-YH0103-W
Junction box



PM-YH0104-W
Junction box



PM-YH0301-W
Junction box



PM-YH0301-W+
PM-YZJ0501-W
Pole Mount
Bracket



PM-YH0301-W+
PM-YZJ0601-W
Corner Mount
Bracket



PM-YH0301-W+
PM-YZJ0810-W
Ceiling Mount
Bracket

Disclaimer:

Panasonic accepts no responsibility or liability for the performance of the network, nor for any third-party products used in conjunction with this system. Product dimensions and masses are approximate. Specifications are subject to change without notice.