

Panasonic

PM-ET6ULFC-W

6MP Fixed Turret Colour Camera

Panasonic Cameras are developed to deliver high-performance security solutions, safeguarding homes, shops, and offices with advanced technology and reliable surveillance. Featuring a combination of infrared (IR) and white LED lighting, these cameras are capable of capturing full-colour images even in low-light conditions, ensuring clear and detailed footage around the clock. Integrated with intelligent analytics, the cameras can automatically detect and respond to specific security events such as line crossing, region intrusion, and more.



  **NDA A**
COMPLIANT **H.265+ H.264**
H.265 JPEG  **SECURE** **IP67**
SSL ENCRYPTION

Key Features

- 6MP Fixed turret full colour camera
- Digital Wide Dynamic Range
- Color Night Vision: 0.007 lux @F1.6, AGC ON
- 20~30m IR night view distance
- 10~20m white light view distance
- IP67 protection from dust and water
- Advanced encryption and access control
- NDA A

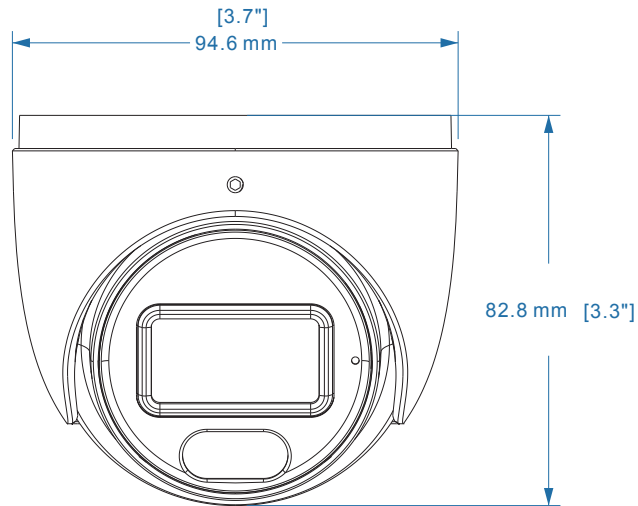
Specifications

| CAMERA | |
|-------------------------------|---|
| Type | 6MP Fixed Turret Full Colour Camera |
| Image Sensor | 1/3"CMOS |
| Max Resolution | 6MP (3200x1800) |
| Electronic Shutter | 1/2s-1/100000 s |
| Min. Illumination | 0.007 lux @F1.6, AGC ON |
| IR Distance / Light Range | 20-30m IR night view distance 10-20m white light view distance |
| LENS | |
| Focal Length | 2.8mm@F1.6 |
| Focus | Fixed |
| Iris Type | Fixed Iris |
| Optical Zoom | |
| Angular Field of View | H.FoV:110.5° V.FoV:57° D.FoV:131° |
| Day&Night | ICR |
| IMAGE | |
| Video Compression | Mainstream: H.265+/H.265/H.264+/H.264 Sub stream: H.265+/H.265/H.264+/H.264/MJPEG |
| Resolution | 6MP (3200x1800) 4MP (2688x1520) 1080P (1920x1080) 720P (1280x720) D1(704x480) VGA(640x480) 480x240 CIF(352x288) |
| Number of Supported Stream | 2 |
| Mainstream | 6MP (1-20fps) 60Hz: 4MP/1080P (1-30fps) 50Hz: 4MP/1080P (1-25fps) |
| Sub Stream | 60Hz: 720P/D1/VGA/CIF/480x240 (1-30fps) 50Hz: 720P/D1/VGA/CIF/480x240 (1-25fps) |
| Third Stream | - |
| Bit Rate | 64 Kbps-8Mbps |
| Bit Rate Type | VBR/CBR |
| Image Settings | ROI Saturation Brightness Hue Contrast Wide Dynamic Sharpness Image Mirror Image Flip NR etc. adjustable through client software or web browser |
| Audio Compression | G711A/U |
| Region Of Interest | Each ROI to be configured separately |
| OPERATIONAL | |
| Wide Dynamic Range | Digital WDR |
| Back Light Compensation (BLC) | Yes |
| High Light Compensation (HLC) | Yes |
| Defog | No |
| Digital Noise Reduction (DNR) | ≥50dB |
| S/N ratio | ≥50dB |
| Angle Adjustment | Pan: 0°-360° Tilt:0°-75° Rotation: 0°-360° |
| INTERFACES | |
| Network | RJ 45 10M/100M self-adaptive Ethernet port |
| Video | - |
| Audio | 1CH built-in MIC |
| Storage | - |
| Alarm | - |
| DORI DISTANCE | |
| Lens | 2.8mm |
| Detect | 60m(196ft) |
| Observe | 24m(78ft) |
| Recognize | 12m(39ft) |

Specifications

| | |
|------------------------|---|
| Identify | 6m(20ft) |
| OTHER ANALYTICS | |
| Motion Detection | Support smart motion detection filtering motion alarm triggered by other target types except humans. |
| Smart Alarm | - |
| Smart Event | (Human) Region Intrusion Detection (Human) Line Crossing Detection |
| FUNCTIONS | |
| Remote Monitoring | Web browser NVR Panasonic VMS 2.X Mobile APP |
| Web Browser | Chrome 89.0+ Edge 89.0+ Firefox 87.0+ Safari 14.0+ |
| Online Connection | Support simultaneous monitoring for up to 3 users Support multi-stream real time transmission |
| Network Protocol | UDP, IPv4, IPv6, DHCP, NTP, RTSP, 802.1x, HTTP |
| Interface Protocol | ONVIF S |
| Other Function | Watermark IP address filtering Video mask Heartbeat Smart supplement light Corridor pattern ANR Cloud upgrade |
| Security | Video encryption Firmware encryption HTTPS encryption Configuration encryption Illegal login lock IP address filtering 802.1x authentication Basic and digest authentication for HTTP/RTSP NDAA |
| GENERAL | |
| Power Supply | DC12V/PoE |
| PoE | Yes, IEEE802.3af |
| Power Consumption | <6W |
| Weather Protection | IP67 protection from dust and water |
| Operating Environment | -30°C~60°C (-22°F~140°F) Humidity: less than 95% (non-condensing) |
| Storage Environment | -30°C~65°C (-22°F~149°F) Humidity: less than 95% (non-condensing) |
| Dimensions (mm) | Ø 94.6×82.8 |
| Weight (net) | Approx.0.423KG |
| Installation | Ceiling mounting Wall mounting |
| Certificate | EMC: EN 55032:2015+A11:2020 EN 55035:2017+A11:2020 Safety: EN IEC 62368-1:2020+A11:2020 RoHS: 2011/65/EU |

Appearance



Optional Accesories

Mount Bracket



PM-YH0104-W
Junction box



PM-YH0301-W
Junction box



PM-YZJ0203-W
Wall Mount Bracket



PM-YH0301-W+
PM-YZJ0501-W
Pole Mount
Bracket



PM-YH0301-W+
PM-YZJ0601-W
Corner Mount
Bracket



PM-YH0301-W+
PM-YZJ0810-W
Ceiling Mount
Bracket

Disclaimer:

Panasonic accepts no responsibility or liability for the performance of the network, nor for any third-party products used in conjunction with this system. Product dimensions and masses are approximate. Specifications are subject to change without notice.