

Panasonic

PM-VB5ULFR-W

5MP Fixed Bullet IP Camera

Panasonic Cameras are developed to provide high security, ensuring the safety of customers in their homes, shops, and offices. Equipped with advanced intelligence features, these cameras detect line crossings, abandoned or missing objects, and more, enhancing user security and peace of mind. Moreover, the cameras guarantee customer privacy through an advanced encryption algorithm and the Region of Interest (ROI) feature built into the camera.



Key Features

- 5MP Fixed Bullet Network Camera
- 120dB Wide Dynamic Range
- Color Night Vision: Color: 0.005 lux @F1.6, AGC ON
- IR range: 30 ~ 50 m
- IP67 Protection from dust and water
- Advanced encryption and access control
- NDAA

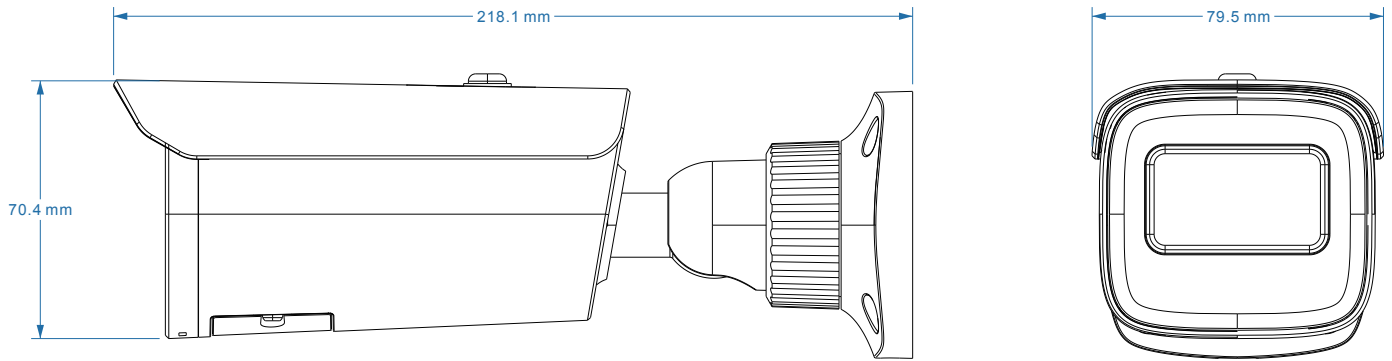
Specifications

CAMERA	
Type	5MP Fixed Bullet Network Camera
Image Sensor	1/2.5"CMOS
Max Resolution	2880x1624
Electronic Shutter	1/4s-1/100000 s
Min. Illumination	Color: 0.005 lux @F1.6, AGC ON
IR Distance / Light Range	30 – 50 m
LENS	
Focal length	3.6 mm@F1.6
Focus	Fixed
Iris Type	Fixed Iris
Optical zoom	
Lens Mount	M12
Angular Field of View	H.FoV: 79° V.FoV:39° D.FoV:96°
Day & Night	ICR
IMAGE	
Video Compression	Main stream: H.265+/H.265/H.264+/H.264 Sub/thirdstream:H.265+/H.265/H.264+/H.264/MJPEG
Supported Resolution	5MP(2880×1624) 4MP(2688×1520) 1080P(1920×1080) 720P(1280×720) D1(704×480) VGA(640×480) 480×240 CIF(352×288)
Number of Supported Stream	3
Mainstream	60Hz: 5MP/4MP/1080P (1~30fps) 50Hz: 5MP/4MP/1080P (1~25fps)
Sub Stream	60Hz: 1080P/720P/D1/VGA/CIF/480×240 (1~30fps) 50Hz: 1080P/720P/D1/VGA/CIF/480×240 (1~25fps)
Third Stream	60Hz: D1/480×240/CIF (1~30fps) 50Hz: D1/480×240/CIF (1~25fps)
Bit Rate	64 Kbps ~10 Mbps
Bit Rate Type	VBR/CBR
Image Settings	ROI Saturation Brightness Hue Contrast Wide Dynamic Sharpness Image Mirror Image Flip NR etc. adjustable through client software or web browser
Audio Compression	G711A/U
Region Of Interest	Each ROI to be configured separately
OPERATIONAL	
Wide Dynamic Range(WDR)	120dB
Back Light Compensation (BLC)	Yes
High Light Compensation (HLC)	Yes
Defog	Yes
Digital Noise Reduction (DNR)	Yes
S/N ratio	≥50dB
Angle Adjustment	Pan: 0°~360° Tilt: 0°~90° Rotation: 0°~360°
INTERFACES	
Network	RJ 45 10M/100M self-adaptive Ethernet port
Video	-
Audio	1CH audio input 1CH audio output 1CH built-in microphone
Storage	Built-in micro SD card slot, up to 256GB
Alarm	1CH alarm input 1CH alarm output
RS485	-

Specifications

DORI DISTANCE	
Lens	3.6mm
Detect	102m(334ft)
Observe	41m(133ft)
Recognize	20m(67ft)
Identify	10m(33ft)
INTELLIGENT ANALYTICS	
Statistics	Yes, with NVR or SD Card
Audio Exception Detection	Yes
Face Detection	Yes
Face Recognition and Matching	Yes, with NVR
Video Metadata(Human/Vehicle Attributes / Two Wheelers)	Simultaneously captures human body Motor vehicle and non-motor vehicle Extracts 13 human features 4 motor vehicle features 1 non-motor vehicle feature
OTHER ANALYTICS	
Motion Detection	-
Smart Alarm	Motion detection SMD SD card full, SD card error IP address conflict Cable disconnection Video exception (scene change, video blur and abnormal color detection)
Smart Event	Line crossing Region intrusion Entrance/exiting (human/vehicle classification) Abandoned/missing object detection Loitering detection Illegal parking detection
FUNCTIONS	
Remote Monitoring	Web browser NVR Panasonic VMS 2.X Mobile APP
Web Browser	Chrome 89.0+ Edge 89.0+ Firefox 87.0+ Safari 14.0+
Online Connection	Support simultaneous monitoring for up to 10 users Support multi-stream real time transmission
Network Protocol	UDP, IPv4, IPv6, DHCP, NTP, RTSP, RTP, RTMP, RTCP, PPPoE DDNS, SMTP, FTP, SNMP, HTTP, HTTP POST, 802.1x, UPnP HTTPS, P2P, QoS
Interface Protocol	ONVIF Profile S/G/M/T
Other Functions	Watermark IP Address Filtering Video Mask Heartbeat Image Distortion Correction Corridor Pattern ANR Cloud Upgrade
Security	Video encryption Firmware encryption Configuration encryption Illegal login lock IP address filtering 802.1x authentication Basic and digest authentication for HTTP/RTSP NDAA
GENERAL	
Power Supply	DC12V/PoE
PoE	Yes, IEEE802.3af
Power Consumption	<10.5W
Weather Protection	IP67 Protection from dust and water
Operating Environment	-30°C~60°C [-22°F~140°F] Humidity: less than 95% (non-condensing)
Storage Environment	-30°C~65°C [-22°F~149°F] Humidity: less than 95% (non-condensing)
Dimensions (mm)	218.1×70.4×80.3
Weight (net)	Approx. 0.73KG
Installation	Ceiling mounting Wall mounting
Certificate	EMC: EN 55032:2015+A11:2020 EN 55035:2017+A11:2020 Safety: EN IEC 62368-1:2020+A11:2020 RoHS: 2011/65/EU

Appearance



Optional Accesories

Mount Bracket



PM-YH0103-W
Junction box



PM-YH0104-W
Junction box



PM-YH0301-W
Junction box



PM-YH0301-W+
PM-YZJ0501-W
Pole Mount
Bracket



PM-YH0301-W+
PM-YZJ0601-W
Corner Mount
Bracket



PM-YH0301-W+
PM-YZJ0810-W
Ceiling Mount
Bracket

Disclaimer:

Panasonic accepts no responsibility or liability for the performance of the network, nor for any third-party products used in conjunction with this system. Product dimensions and masses are approximate. Specifications are subject to change without notice.