

Panasonic

PM-VD4ULFT-W

4MP Fixed Dome True Colour IP Camera

Panasonic's latest AI-powered security cameras deliver twice the computing power compared to conventional models, unlocking superior performance across surveillance and image processing. At the heart of this innovation is the AI-ISP (Image Signal Processor), which dramatically enhances picture quality through advanced real-time optimization. Combined with an ultra-large F1.0 aperture and a stacked large-format CMOS sensor, the camera excels in capturing vivid, full-color images - even in near- total darkness, down to 0.0001 Lux. These cameras are engineered for intelligent efficiencies



  **NDA**
COMPLIANT **H.265+** **H.264**
H.265 **JPEG**  **SECURE** **IP67**
SSL ENCRYPTION

Key Features

- 4MP Fixed dome true colour Network camera
- 120dB Wide Dynamic Range
- Color Night Vision: 0.0001 lux @F1.0, AGC ON
- 10~20m white light view distance
- IP67 protection from dust and water
- IK10 protection for vandal resistance
- Advanced encryption and access control
- NDA

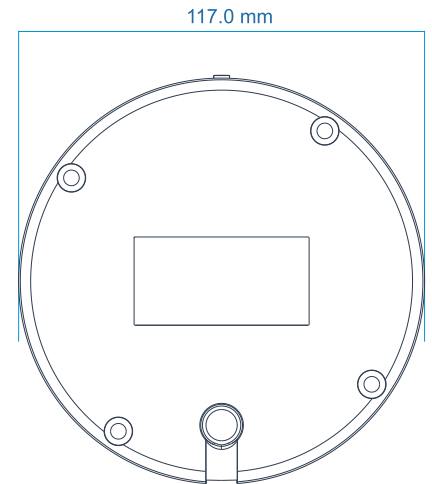
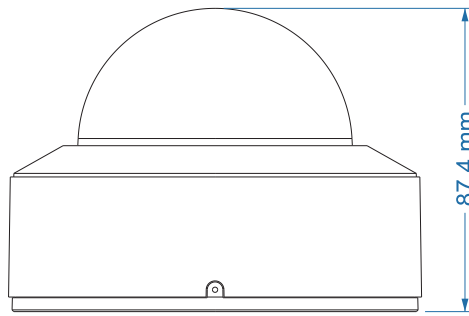
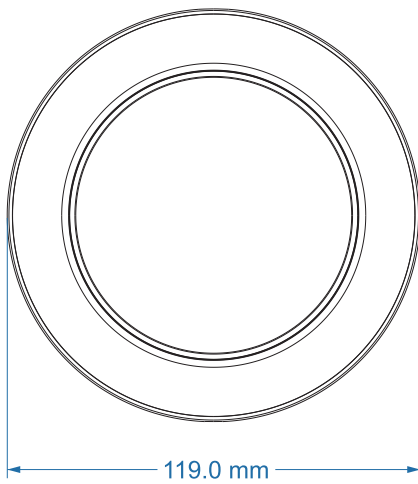
Specifications

CAMERA	
Type	4MP Fixed Dome True Colour Network Camera
Image Sensor	1/1.79" CMOS
Max Resolution	4MP (2688x1520)
Electronic Shutter	1/3s - 1/100000s
Min. Illumination	0.0001 lux @F1.0, AGC ON 0 lux with illumination on
IR Distance / Light Range	10-20m white light view distance
LENS	
Focal Length	2.8mm@F1.0
Focus	Fixed
Iris Type	Fixed Iris
Optical Zoom	-
Angular Field of View	H.FoV: 112° V.FoV: 61° D.FoV: 132°
Day&Night	-
IMAGE	
Video Compression	Mainstream: H.265+/H.265/H.264+/H.264 Sub/third stream: H.265+/H.265/H.264+/H.264/MJPEG
Supported Resolution	4MP (2688x1520) 2K (2560x1440) 1080P (1920x1080) 720P (1280x720) D1(704x480) VGA (640x480) 640x360 480x240 CIF(352x288)
Number of Supported Stream	3
Mainstream	60Hz: 4MP/2K/1080P (1-30fps) 50Hz: 4MP/2K/1080P (1-25fps)
Sub Stream	60Hz: 720P/D1/640x360/VGA/CIF/480x240 (1-30fps) 50Hz: 720P/D1/640x360/VGA/CIF/480x240 (1-25fps)
Third Stream	60Hz: 720P/D1/640x360/VGA/CIF/480x240 (1-30fps) 50Hz: 720P/D1/640x360/VGA/CIF/480x240 (1-25fps)
Bit Rate	32Kbps-8Mbps
Bit Rate Type	VBR/CBR
Image Settings	ROI Saturation Brightness Hue Contrast Wide Dynamic Sharpness Image Mirror Image Flip NR etc.adjustable through client software or web browser
Audio Compression	G711A/U
Region Of Interest	Each ROI to be configured separately
OPERATIONAL	
Wide Dynamic Range	120dB
Back Light Compensation (BLC)	Yes
High Light Compensation (HLC)	Yes
Defog	-
Digital Noise Reduction (DNR)	Yes
S/N ratio	≥50dB
Angle Adjustment	Pan: 0°-355° Tilt: 0°-70° Rotation: 0°-180°
INTERFACES	
Network	RJ 45 10M/100M self-adaptive Ethernet port
Video	-
Audio	1CH audio input 1CH built-in MIC
Storage	Built-in micro SD card slot, up to 512GB
Alarm	-
DORI DISTANCE	
Lens	2.8mm
Detect	52m(170ft)

Specifications

Observe	21m(68ft)
Recognize	10m(33ft)
Identify	5m(17ft)
INTELLIGENT ANALYTICS	
Statistics	-
Audio Exception Detection	Yes
Face Detection	Yes
Face Recognition and Matching	
Video Metadata(Human/Vehicle Attributes / Two Wheelers)	-
OTHER ANALYTICS	
Motion Detection	-
Smart Alarm	Motion detection SMD SD card full, SD card error IP address conflict Network disconnection Video exception (scene change, video blur and abnormal detection)
Smart Event	Line Crossing Region Intrusion Entrance/Exiting Detection(Human/Motor Vehicle/Non-Motor Vehicle Classification) Abandoned/Missing Object Detection Target Counting By Line
FUNCTIONS	
Remote Monitoring	Web browser NVR Panasonic VMS 2.X Mobile APP
Web Browser	Chrome 89.0+ Edge 89.0+ Firefox 87.0+ Safari 14.0+
Online Connection	Support simultaneous monitoring for up to 10 users; Support multi-stream real time transmission
Network Protocol	UDP, IPv4, IPv6, DHCP, NTP, RTSP, RTP, RTCP, RTMP, FTP, PPPoE, DDNS, SMTP, SNMP, HTTP, 802.1x, UPnP, HTTPS, HTTP POST, P2P, QoS
Interface Protocol	ONVIF Profile S/G/M/T
Other Function	Watermark Video Mask Heartbeat Image Distortion Correction Corridor Pattern ANR Cloud Upgrade
Security	Video encryption Firmware encryption HTTPS encryption Configuration encryption Illegal login lock IP address filtering 802.1x authentication Basic and digest authentication for HTTP/RTSP NDAA
GENERAL	
Power Supply	DC12V/PoE
PoE	Yes
Power Consumption	< 7W
Weather Protection	IP67 protection from dust and water, IK10 protection for vandal resistance
Operating Environment	-30°C~60°C [-22°F~140°F]; Humidity: less than 95% (non-condensing)
Storage Environment	-30°C~65°C [-22°F~149°F]; Humidity: less than 95% (non-condensing)
Dimensions (mm)	Ø119×87.8
Weight (net)	Approx. 0.64KG
Installation	Ceiling mounting; Wall mounting
Certificate	EMC: EN 55032:2015+A11:2020 EN 55035:2017+A11:2020 Safety: EN IEC 62368-1:2020+A11:2020 RoHS: 2011/65/EU

Appearance



Optional Accesories

Mount Bracket



PM-YH0101B-W
Junction box



PM-YZJ0203-W
Wall Mount Bracket



PM-YZJ701A-W
In-ceiling Mount
Bracket



PM-YZJ0406-W
Wall Mount Bracket



PM-YH0101B-W+
PM-YZJ0406-W+
PM-YZJ0501-W
Pole Mount Bracket



PM-YH0101B-W+
PM-YZJ0406-W+
PM-YZJ0601-W
Corner Mount
Bracket



PM-YH0101B-W+
PM-YZJ0810-W
Ceiling Mount
Bracket

Disclaimer:

Panasonic accepts no responsibility or liability for the performance of the network, nor for any third-party products used in conjunction with this system. Product dimensions and masses are approximate. Specifications are subject to change without notice.