

Panasonic

PM-VP4ULVR-W

4MP PTZ IP Camera 25x Optical zoom

Panasonic PTZ camera is equipped with high quality Back-side illumination (BSI) and Near-field Infrared (NIR) sensors, capable of generating high quality images. Supporting up to 25x optical zoom lens, could deliver top-notch 2560x1440@30fps image details over a large area. The H.265 video compression reduces bit rate down to 50% of H.264 without loss. With its built-in Advanced Intelligence, the PTZ camera could detect and classify up to 15 objects per scene. When any of them intrude restricted area, the PTZ camera will trace, zoom fit in centre of screen, snap and record and more.



NDA A
COMPLIANT

H.265+ H.264
H.265 JPEG



SECURE
SSL ENCRYPTION

IP66



Key Features

- 4MP PTZ Network Camera
- 25x Optical Zoom
- 120dB Wide Dynamic Range
- Color Night Vision: Color 0.01Lux @ (F1.65 AGC ON)
- IR range: 160m(525 f.t.)
- Dual stack IR LED Array
- IP66 protection from dust and water
- IK10 protection for vandal resistance
- 6000V Lightning Protection
- Surge Protection and Voltage Transient Protection
- Advanced encryption and access control
- NDA A

Specifications

CAMERA	
Type	4MP PTZ Network Camera
Image sensor	1/2.7 progressive scan CMOS, BSI, NIR+
Max Resolution	Up to 2560x1440 resolution
Shutter Speed	60Hz:1/30s-1/30,000s 50Hz:1/25s-1/25,000s
Mini. Illumination	Color 0.01Lux @ (F1.65 AGC ON) B/W 0.002Lux @ (F1.65 AGC ON) 0Lux with IR
IR Distance / Light Range	160m(525 f.t.) dual stack IR LED Array
LENS	
Focal length	f=4.8-120mm l@ F1.65-F3.8 (wide-tele)
Iris Type	DC-IRIS, 16 Stops
Iris control	Auto Manual
Optical Zoom	25x optical zoom
Angular Field of View	Horizontal: 55°-2.4°±5% Vertical: 33°-1.4°±5% Diagonal: 61.5°-2.8° (wide-tele)±5%
Day&Night	Auto Manual Time schedule
PTZ	
Pan Range	360°endless
Pan speed	Configurable, from 0.1-200°/s Preset speed: 240°/s
Tilt Range	From-10° to 90° auto flip
Tilt Speed	Configurable, from 0.1°- 200°/s Preset speed: 240°/s
Zoom Speed	Approx. 3.6s (optical zoom, wide-tele)
Proportional Zoom	Yes
Preset	360
Cruise	4 traces, record time over 3 minutes for each trace
Trace	4 traces, record time over 3 minutes for each trace
Power off memory	Support
Action mode	Preset Cruise Trace Auto Scan Random Scan
3D Positioning	Support
PTZ Position Display	Support
Schedule Task	Preset Cruise Trace Random Scan Boundary Scanning Dome reboot
Preset Freezing	N/A
SUPPLEMENT LIGHT / IR	
Light distance	160m(525 f.t.) dual stack IR LED Array
Illuminator type	-
Smart IR	Yes
IR Cut Type	Removable IRCut filter
IMAGE	
Video compression	H.265+/H.265/H.264+/H.264/MJPEG
Supported Resolution	4MP (2560x1440) 1080P (1920x1080) 720P (1280x720) 704x576 VGA(640x480) CIF(352x288)
Number of Supported Stream	3
Mainstream	60Hz/30fps: 2560x1440,1920x1080,1280x960,1280x720 50Hz/25fps: 2560x1440,1920x1080,1280x960,1280x720
Sub stream	60Hz/30fps {704x480, 640x480, 352x240} 50Hz/25fps: {704x576, 640x480, 352x288}
Third Stream	60Hz/30fps (1920x1080, 1280x960, 1280x720, 704x480, 640x480, 352x240) 50Hz/25fps (1920x1080, 1280x960, 1280x720, 704x576, 640x480, 352x288)

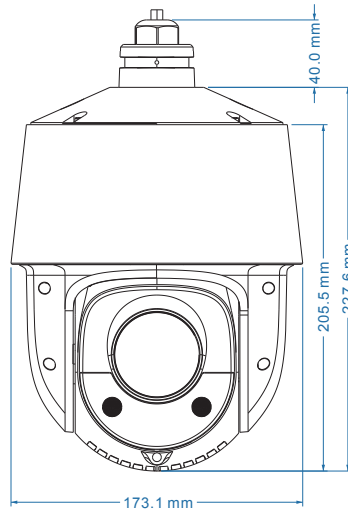
Specifications

H.264 Standard	H.264 AVC codec BP/MP/HP Level 5.1
H.265 Standard	H.265 HEVC codec MP level 5.0
Bit Rate	64Kbps to 8Mbps
Bit Rate Type	VBR/CBR
Image setting	Flip Mirror Saturation Brightness Contrast Sharpness AGC etc.adjusted by client
Audio compression	G.711 A/U
Audio Bit Rate	64K bps
OPERATIONAL	
WDR	120dB
White Balance	Auto Manual Indoor Outdoor
Gain control	Auto Manual
SNR	≥52dB
Noise Reduction	-
AE Enhancement	Back Light Compensation (BLC) High Light Compensation (HLC) Wide Dynamic range (WDR)
Digital Zoom	-
Image Stabilizer	-
Optical Defog	-
Privacy Mask	4 areas, up to 8 per request
Picture overlay	Logo picture could be overlaid on video with 128x128pixels 24bits BMP format
OSD overlay	Max 15 characters/line 8 lines White or red font color
INTERFACE	
Network	1 RJ45 10M/100M Adaptive Ethernet Support PoE+
Alarm Interface	1 Alarm input(Dry contact) 1 Alarm output
Audio Interface	1 audio input(MIC in) 1 audio output line level impedance,600Ω
Storage	Built-in micro SD card slot, up to 256GB
Built-in Speaker	-
RS485	-
Electric Fan & Heater	Yes
Water removal	Remove water-drops by quick spinning blow hot air to glass to remove frost ice
Demist	-
DORI DISTANCE	
Lens	4.8mm 120mm
Detect	96m(315 f.t.) 2200m(7218 f.t.)
Observe	38m(124.7 f.t.) 873m(2864.3 f.t.)
Recognize	19.2m(63 f.t.) 440m(1443.6 f.t.)
Identify	9.6m(31.5 f.t.) 220m(721.8 f.t.)
INTELLIGENT ANALYTICS	
Face capture	Default off Detecting max 15 faces at same scene Detecting Tracking Capturing

Specifications

Face comparison	-
Road traffic	Vehicle detecting and tracking
OTHER ANALYTICS	
Basic event	Motion detection Video tampering alarm Exception(Network disconnected, IP address conflict, SD full, SD error)
Smart event	Tripwire Bi-directional tripwire Illegal intrusion detection Region entrance detection Region exiting detection etc. More VCA per request
Smart tracking	Smart tracking of human or vehicle Auto Manual
Alarm Linkage	Alarm actions Preset Cruise Trace Memory Card Video Record Trigger Recording Upload to FTP/Memory Card Send Email etc.
FUNCTIONS	
Remote Monitoring	Web browser NVR Panasonic VMS 2.X Mobile APP
Web Browser	IE8-11 with plug-in Edge Chrome Firefox with plugin free
Online Connection	Up to 16 users 3 levels: Administrator Advanced User Normal User
Network Protocol	HTTP, HTTPS, IPv4/IPv6, 802.1x, QoS, FTP, SMTP, UPnP, SNMP,DNS DDNS, NTP, RTSP, RTCP, RTP, TCP/IP, UDP, DHCP PPPoE
Interface Protocol	ONVIF Profile S/G/T
API	ONVIF API and SDK
Security	User authentication (ID and PW) Host authentication (MAC address) HTTPS encryption IEEE802.1x port-based network access control IP address filtering NDAA
GENERAL	
Power Supply	DC12V±25% 3000mA PoE+ (802.3.at) max 23W include IR ON+PTZ working
PoE	PoE+ (802.3.at)
Power Consumption	Max. 23W
Weather and Vandal Protection	IP66 protection from dust and water IK10 protection for vandal resistance (excluding Glass) 6000V Lightning Protection Surge Protection and Voltage Transient Protection
Operating Environment	-40°C~60°C[-40°F~140°F] Cold start at -30°C(30minutes waiting)90%RH
Storage Environment	-40°C~70°C ; ≤ 95% RH
Dimensions (mm)	Ø 173mm×268mm (Ø 6.8 inch × 10.55 inch)
Weight (net)	Approx. 2.1 Kg (4.63 lb.)
Certificate	EMC: EN 55032:2015+A11:2020 EN 55035:2017+A11:2020 Safety: EN IEC 62368-1:2020+A11:2020 RoHS: 2011/65/EU

Appearance



Optional Accesories

Mount Bracket



PM-YZJ0808-W
Wall Mount Bracket



PM-YZJ701E-W
Ceiling Mount
Bracket
(included)



PM-YZJ0807-W
Ceiling Mount
Bracket



PM-YZJ0311-W
Wall Mount Bracket
with Junction box



PM-YZJ0312-W
Pole Mount Bracket
with Junction box



PM-YZJ0313-W
Corner Mount
Bracket with
Junction box

Disclaimer:

Panasonic accepts no responsibility or liability for the performance of the network, nor for any third-party products used in conjunction with this system. Product dimensions and masses are approximate. Specifications are subject to change without notice.