

# Table of Contents

IMPORTANT SAFETY INSTRUCTIONS .....	2-3
Installation and General Instructions .....	4-5
Feature Diagram.....	6
Control Panel .....	7
Code Hints.....	8
Technical Specifications .....	8

# IMPORTANT SAFETY INSTRUCTIONS

## READ CAREFULLY AND KEEP FOR FUTURE REFERENCE

### Precautions to be taken when using Microwave Ovens for Heating Foodstuffs Inspection for damage:

A microwave oven should only be used if an inspection confirms all of the following conditions:

1. The grille is not damaged or broken.
2. The door fits squarely, securely and opens and closes smoothly.
3. The door hinges are in good condition.
4. The metal plates of a metal seal on the door are neither buckled nor deformed.
5. The door seals are neither covered with food nor have large burn marks.

### PRECAUTIONS:

Microwave radiation from microwave ovens can cause harmful effects if the following precautions are not taken:

1. Never tamper with or deactivate the interlocking devices on the door.
2. Never poke an object, particularly a metal object, between the door and the oven while the oven is operating.
3. Never place saucepans, unopened cans or other heavy metal objects in the oven.
4. Do not let other metallic articles, e.g. fast food foil containers, touch the side of the oven.
5. Details for cleaning door seals, cavities and adjacent parts. Clean the oven cavity, the door and the seals with water and a mild detergent at regular intervals. Never use any form of abrasive cleaner that may scratch or scour surfaces around the door.
6. Always use the oven with the cookware recommended by the manufacturer.
7. Never operate the oven without a load (i.e., an absorbing material such as food or water) in the oven cavity unless specifically allowed in the manufacturer's literature.
8. For horizontally hinged doors, never rest heavy objects such as food containers on the door while it is open.
9. Do not place sealed containers in the microwave oven. Baby bottles fitted with a screw cap or a teat are considered to be sealed containers.
10. This appliance is not intended for use by persons (including children) with reduced physical, sensory or mental capabilities, or lack of experience and knowledge, unless they have been given supervision or instruction concerning use of the appliance by a person responsible for their safety.

11. Children should be supervised to ensure that they do not play with the appliance.
12. It is hazardous for anyone other than a competent person to carry out any service or repair operation that involves the removal of a cover which gives protection against exposure to microwave energy.
13. The surfaces are liable to get hot during use.
14. The appliance must not be installed behind a decorative door in order to avoid overheating.
15. Do not use harsh abrasive cleaners or sharp metal scrapers to clean the oven door glass, since they can scratch the surface, which may result in shattering of the glass. A steam cleaner is not to be used.

### Earthing Instructions

This microwave oven must be earthed. In the event of an electrical short circuit, earthing reduces the risk of electric shock by providing an escape wire for the electric current. This microwave oven is equipped with a cord having an earthing wire with an earthing plug. The plug must be plugged into an outlet that is properly installed and earthed.

**WARNING**—Improper use of the earthing plug can result in a risk of electric shock.

### Fan Motor Operation after Cooking

After using this oven the fan may rotate to cool the electric components. This is perfectly normal, and you can take out the food from the oven while the fan operates.

### Important Instructions

**WARNING**—To reduce the risk of burns, electric shock, fire, injury to persons or excessive microwave energy:

1. Read all instructions before using the microwave oven.
2. Some products such as whole eggs and sealed containers - (for example, closed glass jars **and sealed baby bottles with teat**) - may explode and should not be heated in the microwave oven.
3. Use this microwave oven only for its intended use as described in this manual.
4. As with any appliance, close supervision is necessary when used by children.
5. Do not operate this microwave oven, if it is not working properly, or if it has been damaged or dropped.
6. Do not store or use this appliance outdoors.
7. Do not immerse cord or plug in water.
8. Keep cord away from heated surfaces.
9. Do not let cord hang over edge of table or counter.

# IMPORTANT SAFETY INSTRUCTIONS (continued)

10. To reduce the risk of fire in the oven cavity:
  - (a) Do not overcook food. Carefully attend microwave oven if paper, plastic, or other combustible materials are placed inside the oven to facilitate cooking.
  - (b) Heating therapeutic wheat bags is not recommended. If heating, do not leave unattended and follow manufacturers' instructions carefully.
  - (c) Remove wire twist-ties from bags before placing bag in oven.
  - (d) If materials inside the oven should ignite, keep oven door closed, turn oven off at the wall switch, or shut off power at the fuse or circuit breaker panel.
  - (e) Never leave microwave unattended while cooking or reheating.
11. Do not remove outer panel from oven.
12. This appliance is not intended to be operated by means of an external timer or separate remote-control system.
13. Failure to maintain the oven in a clean condition could lead to deterioration of the surface that could adversely affect the life of the appliance and possibly result in a hazardous situation.
14. **WARNING:** Ensure that the cavity does not contain any items or utensils that are not suitable for the use with the microwave oven before you operate the appliance.
15. **WARNING:** Do not use the cavity for storing combustible products, cooking utensils, or food and similar when the microwave oven is not in use.
16. The appliance shall not be cleaned with a steam cleaner.
17. The appliance must be operated with the decorative door open.

## Circuits

Your microwave ovens should be operated on a separate circuit from other appliances. The voltage used must be the same as specified on this microwave oven. Failure to do this may cause the power board fuse to blow, and/or food to cook slower. Do not insert higher value fuse in the power board.

## Practical Hints:

1. For initial use of GRILL and COMBINATION, if you see white smoke arise, it is not malfunction.
2. The oven has two grill heaters situated in the top of the oven. After using the GRILL and COMBINATION functions, the ceiling will be very hot.
3. During use the appliance becomes hot. Care should be taken to avoid touching heating elements inside the oven. Young children less than 8 years of age should be kept away.  
**WARNING:** Accessible parts may become hot during use. Young children should be kept away.
4. Before using GRILL and COMBINATION function for the first time operate the oven without food and accessories (including glass tray and roller ring) on Grill 1 for 5 minutes. This will allow the oil that is used for rust protection to be burned off. This is the only time that the oven is operated empty.  
**Caution: All inside surfaces of the oven will be hot.**
5. Exterior oven surfaces, including air vents on the cabinet and the oven door will get hot during GRILL and COMBINATION. Use care when opening or closing door and when inserting or removing food and accessories.



**Caution! Hot surfaces**

## WARNING

- a) The door seals and door seal areas should be cleaned with a damp cloth. The appliance should be inspected for damage to the door seals and door seal areas and if these areas are damaged the appliance should not be operated until it has been repaired by a qualified service technician trained by the manufacturer.
- b) If the door or door seals are damaged, the oven must not be operated until it has been repaired by a competent person.
- c) It is hazardous for anyone other than a competent person to carry out any service or repair operation that involves the removal of a cover which gives protection against exposure to microwave energy.
- d) If the supply cord is damaged, it must be replaced by the manufacturer, its service agent or similarly qualified persons in order to avoid a hazard.
- e) Before use, the user should check that whether the utensils are suitable for use in microwave ovens.
- f) Liquids or other foods must not be heated in sealed containers since they are liable to explode, at the same time, it should avoid the boiling liquids splash.
- g) Only allow children to use the oven without supervision when adequate instructions have been given so that the child is able to use the oven in a safe way and understands the hazards of improper use.
- h) When the appliance is operated in the grill or combination modes, children should only use the oven under adult supervision due to the temperatures generated.
- i) Care should be taken not to displace the glass tray when removing containers from the appliance.

# Installation and General Instructions

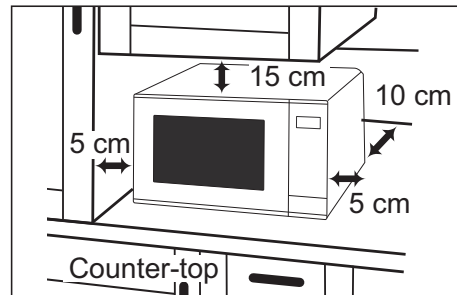
## General Use

1. In order to maintain high quality, do not operate the oven when empty. The microwave energy will reflect continuously throughout the oven if no food or water is present to absorb energy. This can lead to damage to the microwave oven including arcing within the oven cavity.
2. If smoke is observed, switch off or unplug the appliance and keep the door closed in order to stifle any flames.
3. If smoke is observed, press the **Stop/Cancel** Pad and leave door closed order to stifle any flames. Disconnect the power cord, or shut off power at the fuse or circuit breaker panel.
4. The microwave oven is intended for heating food and beverages. Drying of food or clothing and heating of warming pads, slippers, sponges, damp cloth and similar can lead to risk of injury, ignition or fire.
5. Do not Use recycled paper products, as they may contain impurities which may cause sparks and/or fires when used.
6. Do not use newspapers or paper bags for cooking.
7. Do not hit or strike control panel. Damage to controls may occur.
8. POT HOLDERS may be needed as heat from food is transferred to the cooking container and from the container to the glass tray. The glass tray can be very hot after removing the cooking container from the oven.
9. Do not store flammable materials next to, on top of, or in the oven. It could be a fire hazard.
10. Do not cook food directly on glass tray unless indicated in recipes. (Food should be placed in a suitable cooking utensil.)
11. DO NOT use this oven to heat chemicals or other non-food products. DO NOT clean this oven with any product that is labeled as containing corrosive chemicals. The heating of corrosive chemicals in this oven may cause microwave radiation leaks.
12. If glass tray is hot, allow to cool before cleaning or placing in water.
13. When using the COMBINATION mode, never place any aluminum or metal container directly on the wire rack. Always insert a heat-proof, grass plate or dish between the wire rack and the aluminum container. This will prevent sparking that may damage the oven.
14. During cooking, some steam will condense inside and/or on the oven door. This is normal and safe. Steam will disappear after the oven is cool down.
15. Do not leave the microwave unattended while reheating or cooking food in disposable containers made of plastic, paper or other combustible materials, as these types of containers can ignite if overheated.
16. Metallic containers for food and beverages are not allowed during microwave cooking.
17. It is recommended not to use the Wire Rack when cooking in the MICROWAVE mode only.
18. Only use utensils that are suitable for use in microwave ovens.

## Placement of the Oven

This oven is intended for Counter-top use only. It is not intended for built-in use or use inside a cupboard.

1. The oven must be placed on a flat, stable surface. The appliance shall not be placed in a cabinet. For correct operation, the oven must have sufficient air flow. Allow 15 cm of space on the top of the oven, 10 cm at back and 5 cm on both sides. If one side of the oven is placed flush to a wall, the other side or top must not be blocked. Do not remove feet.

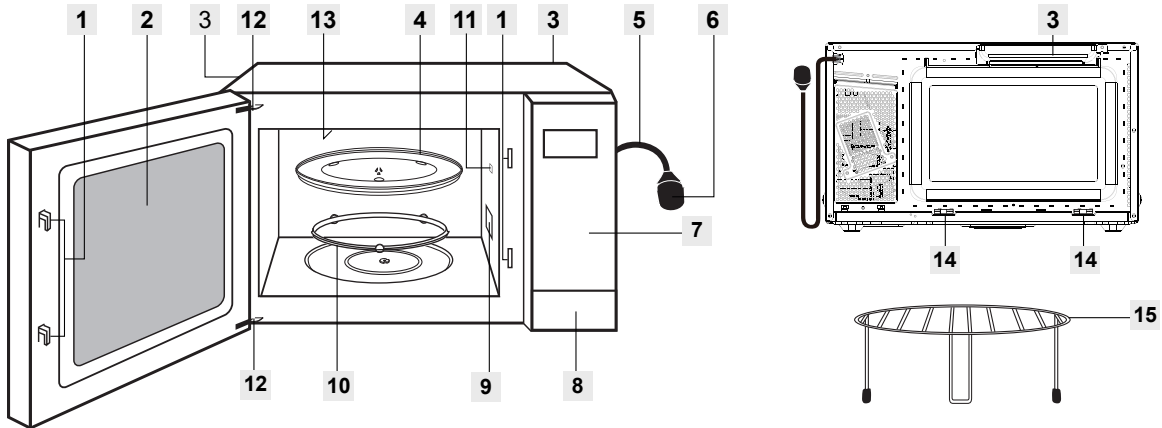


- (a) Do not block air vents. If they are blocked during operation, the oven may overheat. If the oven overheats, a thermal safety device will turn the oven off. The oven will remain inoperable until it has cooled.
  - (b) Do not place oven near a hot or damp surface such as a gas stove, electric range or sink etc.
  - (c) Do not operate oven when room humidity is too high.
2. This oven was manufactured for household use only.
  3. The cabinet must NOT have a door.

## Food

1. Do not use your oven for home canning or the heating of any closed jar. Pressure will build up and the jar may explode. In addition, the microwave oven cannot maintain the food at the correct canning temperature. Improperly canned food may spoil and be dangerous to consume.
2. Do not attempt to deep fat fry in your microwave oven.
3. Eggs in their shell and whole hard-boiled eggs should not be heated in microwave ovens since they can explode, even after microwave heating has ended.
4. Potatoes, apples, egg yolks, chicken wings, whole squash and sausages are examples of foods with nonporous skins. This type of food must be pierced before cooking, to prevent bursting.
5. When heating liquids, e.g. soup, sauces and beverages in your microwave oven, overheating the liquid beyond boiling point can occur without evidence of bubbling. This could result in a sudden boil over of the hot liquid. To prevent this possibility the following steps should be taken:
  - (a) Avoid using straight-sided containers with narrow necks.
  - (b) Do not overheat.
  - (c) Stir the liquid before placing the container in the oven and again halfway through cooking time.
  - (d) After heating, allow to stand in the oven for a short time, stirring again before carefully removing the container.
  - (e) Microwave heating of beverages can result in delayed eruptive boiling, therefore care must be taken when handling the container.
  - (f) As a general rule, always cover wet foods, e.g. soups, casseroles and plated meals.
6. **DO NOT USE A CONVENTIONAL MEAT THERMOMETER IN THE MICROWAVE OVEN. To check the degree of cooking of roasts and poultry use a MICROWAVE THERMOMETER.** Alternatively, a conventional meat thermometer may be used after the food is removed from the oven. If undercooked, return meat or poultry to the oven and cook for a few more minutes at the recommended power level. It is important to ensure that meat and poultry are thoroughly cooked.
7. **COOKING TIMES given in the Cooking Guide section are APPROXIMATE.** Factors that may affect cooking time are preferred degree of moisture content, starting temperature, altitude, volume, size, shape of food and utensils used. As you become familiar with the oven, you will be able to adjust for these factors.
8. **It is better to UNDERCOOK RATHER THAN OVERCOOK foods.** If food is undercooked, it can always be returned to the oven for further cooking. If food is overcooked, nothing can be done. Always start with minimum cooking times recommended
9. Extreme care should be taken when cooking popcorn in a microwave oven. Cook for minimum time as recommended by manufacturer. Use the directions suitable for the wattage of your microwave oven. NEVER leave oven unattended when popping popcorn.
10. When heating food in plastic or paper containers, keep an eye on the oven due to the possibility of ignition.
11. The contents of feeding bottles and baby food jars are to be stirred or shaken and the temperature is to be checked before consumption, in order to avoid burns.

# Feature Diagram



## 1 Door Safety Lock System

## 2 Oven Window

The oven window with vapor barrier film (do not remove)

## 3 Oven Air Vent

## 4 Glass Tray

- DO NOT** operate the oven without the Roller Ring and Glass Tray in place.
- Only use the Glass Tray specifically designed for this oven. Do not substitute any other Glass Tray.
- If the Glass Tray is hot, allow to cool before cleaning or placing in water.
- DO NOT** cook directly on the Glass Tray. Always place food on a microwave-safe dish, or on a rack set in a microwave-safe dish.
- Always place the container on the center of the glass tray when cooking.
- If food or utensils on the Glass Tray touch oven walls, causing the tray to stop moving, the tray will automatically rotate in the opposite direction. This is normal.
- The Glass Tray can rotate in either direction.

## 5 Power Supply Cord

## 6 Power Supply Plug

## 7 Control Panel

## 8 Door Release Button

Push to open the door. Opening the door during cooking will stop the cooking process without cancelling the program. Cooking resumes as soon as the door is closed and **Start/Set** Pad is pressed. It is quite safe to open the door at any time during a cooking program and there is no risk of microwave exposure.

## 9 Waveguide Cover (do not remove)

## 10 Roller Ring

- The Roller Ring should be cleaned regularly to avoid excessive noise.
- The Roller Ring and Glass Tray should be used at the same time.

## 11 Oven Light

The oven light will turn on during cooking and also when the door is opened. It will turn off after 1 minute if the door is left open.

## 12 Door Hinges

To prevent injury when opening or closing the door, keep fingers away from the door hinges.

## 13 Grill Elements

## 14 Stopper (irremovable)

The stopper ensures sufficient space at the back of the oven to provide adequate ventilation.

## 15 Wire Rack

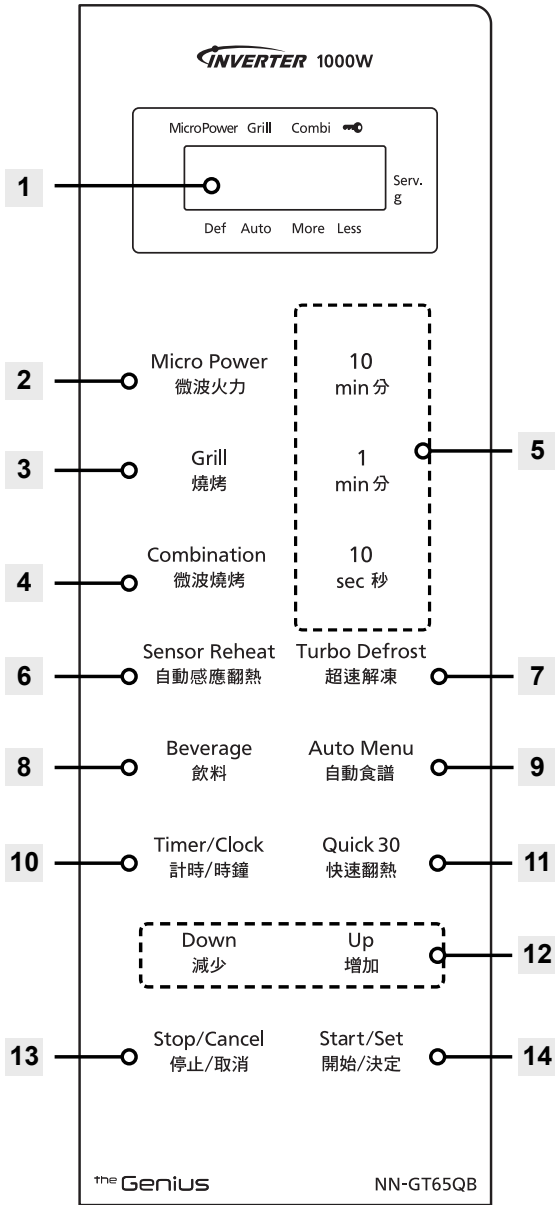
- A Wire Rack is included with the oven in order to facilitate browning of small dishes.
- Wire Rack should be cleaned regularly.
- When using Wire Rack in the manual GRILL or COMBINATION cooking modes, be careful to choose heat-proof containers; containers made of plastic or paper may melt or burn when exposed to the heat radiating from the grill.
- When using the COMBINATION mode, never place any aluminum or metal container directly on Wire Rack. Always insert a glass plate or dish between Wire Rack and the aluminum container. This will prevent sparking that may damage the oven.
- Do not use Wire Rack when cooking in the MICROWAVE mode only.



## Note

- The above illustration is for reference only.
- The Glass Tray and Wire Rack are the only accessories with this oven. All other cooking utensils mentioned in this manual must be purchased separately.

# Control Panel



- 1 Display Window
- 2 Micro Power Pad
- 3 Grill Pad
- 4 Combination Pads
- 5 Time Pads
- 6 Sensor Reheat Pad
- 7 Turbo Defrost Pad
- 8 Beverage Pad
- 9 Auto Menu Pads
- 10 Timer/Clock Pad
- 11 Quick 30 Pad
- 12 Up/Down Selection Pads

## 13 Stop/Cancel Pad

**Before cooking:** One press clears all your instructions.

**During cooking:** One press temporarily stops the cooking process. Another press cancels all your instructions and colon or time of day appears in the display window.

## 14 Start/Set Pad

One press allows the oven to begin functioning. If the door is opened or the **Stop/Cancel** Pad is pressed once during oven operation, the **Start/Set** Pad must again be pressed to restart the oven.

# Code Hints

Q: "□" appears in the display window.  
 A: The Child Lock was activated by pressing **Start/Set** Pad 3 times. Deactivate Lock by pressing **Stop/Cancel** Pad 3 times.

Q: "H + number (eg. H98)" appears in the Display Window.  
 A: The display indicates a problem with the microwave generation system. Contact the authorised service centre.

Q: "HOL" appears in the display window.  
 A: The cavity is overheated. Operate again after it cools down. If in a hurry, cook food manually by selecting the correct cooking mode and cooking time yourself.

## Technical Specifications

Model name:	NN-GT65QB		NN-GT65QB	
Power Supply:	230 - 240 V~ 50 Hz		220 V~ 50 Hz	
Country:	For Malaysia		For Indonesia	For Vietnam
Power Consumption:	Microwave	5.3 A 1250 W	5.7 A 1230 W	
	Grill	4.8 A 1140 W	5.2 A 1140 W	
	Combination	5.8 A 1350 W	6.2 A 1350 W	
Cooking Power:	Microwave*	1000 W		
	Grill	1100 W		
Outside Dimensions (W × H × D):	525 mm × 310 mm × 401 mm			
Oven Cavity Dimensions (W × H × D):	359 mm × 247 mm × 362 mm			
Overall Cavity Volume:	31 L			
Glass Tray Diameter:	Ø340 mm			
Operating Frequency:	2450 MHz			
Uncrated Weight:	Approx. 12.7 kg			

\* IEC Test Procedure

Specifications subject to change without notice.

As for the voltage requirement, manufactory and serial number, please refer to the name plate on the microwave oven.