

## MICROWAVE OVEN TRIM KIT INSTALLATION DIAGRAMS

**MODEL: NN-TK510FWQP (White)**

Suitable for Microwave Oven

Model: **NN-SF564W**



Above: Artist impression only, i.e. gap between microwave and trim kit may be larger than shown here. For airflow there needs to be a surrounding gap of 10mm (+/-2mm).

Microwave ovens should not be built into a unit directly above a top front venting conventional cooker. This will invalidate your one year guarantee.

1. This trim kit can be installed into a cabinet. The cabinet opening must have the following internal dimensions as shown. A vent is required at the rear of the cabinet it should travel the full height of the cabinet and the cabinet should not be obstructed. Minimum dimension of vent 45 mm x 562 mm.

### MINIMUM INSTALLATION HEIGHT 850 MM.

#### 2. Electrical Connections

The appliance is supplied with a mains plug attached and should only be connected into an earthed socket that has been installed according to the relevant safety regulations.

If the plug is no longer accessible after the appliance has been built into the cabinet, a dual pole isolator must be installed to conform to the relevant safety standards.

3. It is essential that the cabinet is fixed to the wall for stability. The shelf must be able to support a weight of 30 kg.

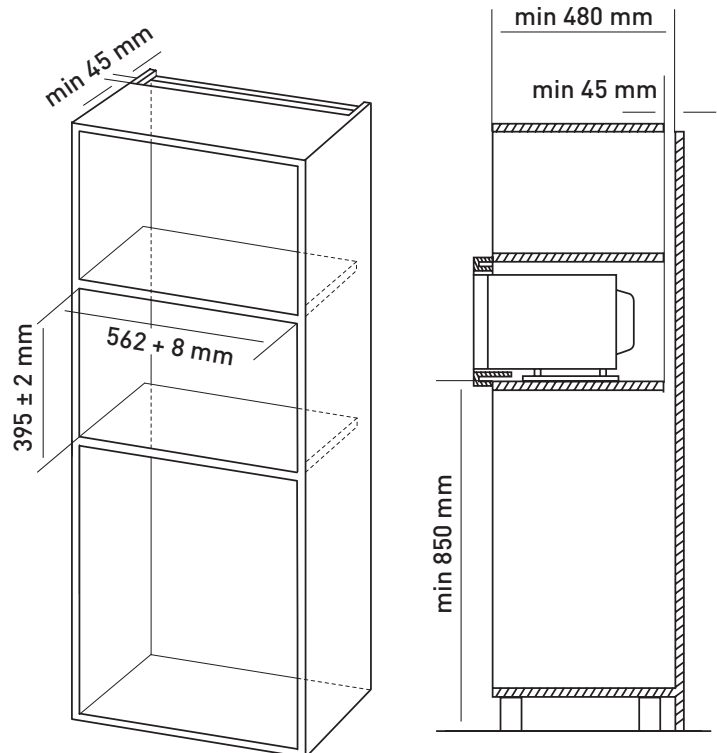
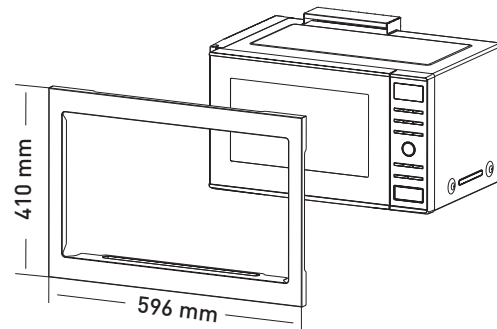
4. If the microwave oven is to be removed from the kitchen cabinet and used free standing, the built in parts must be removed, and the oven returned to its original condition. Keep these installation instructions for future reference so the installation process can be reversed.

### TAKE CARE NOT TO KINK OR TRAP THE MICROWAVE ELECTRICAL CABLE.

The diagram may vary from the actual unit and is only for your reference.

#### NOTES:

1. Diagrams are not to scale.
2. Specifications are subject to change without notice. Publish date: June 2019.



Trim Kits	Model No	Cabinet Opening Dimensions			Trim Kit Outside Dimensions	
		H (mm)	W (mm)	D (mm)	H (mm)	W (mm)
	<b>NN-TK510FWQP</b>	395	562	480	410	596