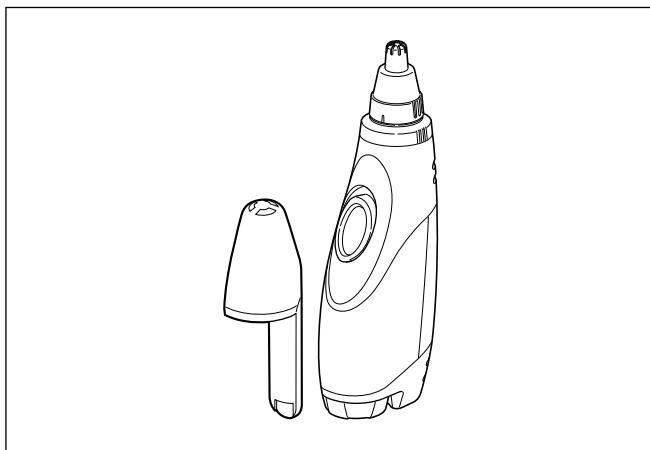


# Panasonic®

(Household) Nose & Facial Hair Trimmer

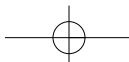
## Operating Instructions

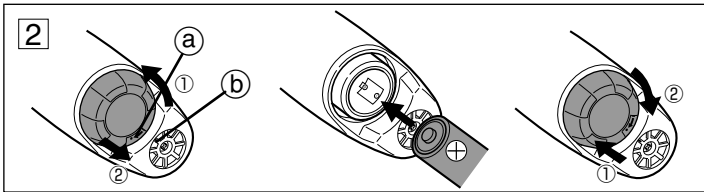
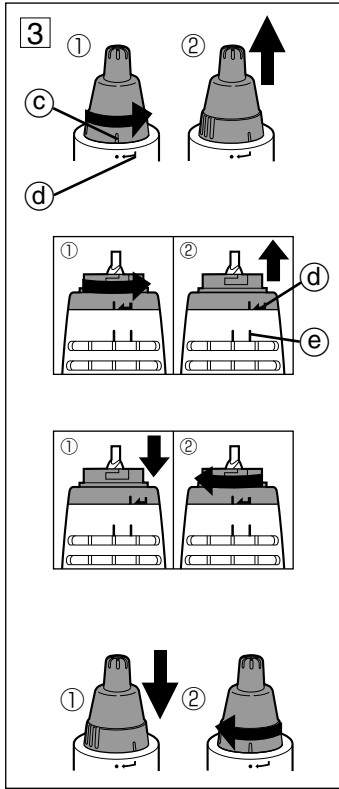
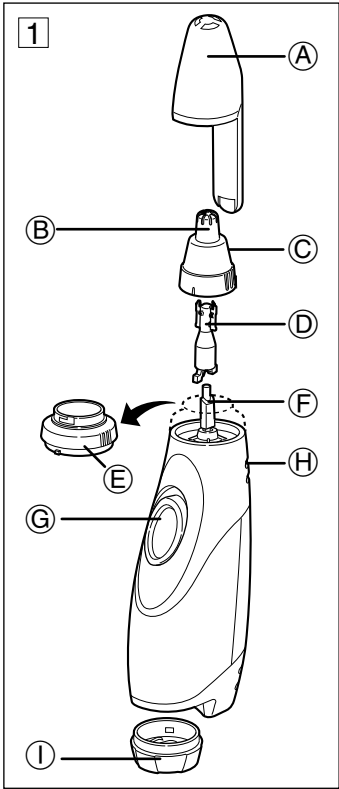
Model No. ER430

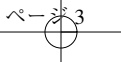


Before operating this unit, please read these instructions completely and save them for future use.

Thank you for choosing a Panasonic Nose & Facial Hair Trimmer.







## Parts identification

(See fig. 1)

- Ⓐ **Protective cap with mirror**
- Ⓑ **Outer blade**
- Ⓒ **Outer blade frame**
- Ⓓ **Inner blade**
- Ⓔ **Filter**
- Ⓕ **Joint**
- Ⓖ **Power switch [0/1]**  
Slide the switch upward to turn the trimmer on.
- Ⓗ **Vent**
- Ⓘ **Battery cover**

## Caution

To avoid the risk of personal injury, follow these instructions:

- Keep this device away from the reach of children. This is not a toy.
- Do not insert the trimmer futher into your nostril or ear hole than the narrow tip of the outer blade. Do not press the trimmer forcefully.
- Before each use, check the blades for damage. Do not use this device if the outer blade frame or blades are deformed or damaged.
- The blades have been precision manufactured. Do not subject them to mechanical force, impact, drop, etc. Place the protective cap over the outer blade frame after each use.
- This trimmer is designed only for cutting nose hair, ear hair, eyebrows, moustache, or beard. Do not use it for any other purpose.
- Ensure that the switch is turned off before cleaning the blades.
- Do not use solvents or thinners. Clean with a soft cloth and soapy water. Wipe dry.
- Do not disassemble, modify or repair the trimmer yourself.

This appliance is not intended for use by persons (including children) with reduced physical, sensory or mental capabilities, or lack of experience and knowledge, unless they have been given supervision or

instruction concerning use of the appliance by a person responsible for their safety. Children should be supervised to ensure that they do not play with the appliance.

## Replacing battery

(See fig. 2)

Turn the battery cover counterclockwise and match the line Ⓐ with Ⓑ. Pull to remove. Insert one AA(LR6) Alkaline battery. Mount the battery with polarity as shown. To replace the battery cover, reverse the above procedure.

## Using your trimmer

Slide the power switch to the “1” position to turn the appliance on.

<Nose hair and ear hair>

Carefully insert the tip of the outer blade into your nostril or ear hole to trim the nose and ear hairs.

<Eyebrows, moustache, or beard>

Place the tip of the outer blade against the hair (eyebrows, moustache, beard) you would like to cut. (Press the outer blade softly so as not to injure your skin.)

## Maintenance

Be sure that the switch is turned off before removing, replacing or cleaning the blades.

To remove the outer blade frame, turn it and match the line Ⓒ with Ⓓ and pull upward. (See fig. 3)

Detach the inner blade from the outer blade. Wipe the blades with a tissue gently to remove any cut hairs, dust, etc. If the blades are wiped strongly, they will be deformed or damaged. Then to remove the filter, turn it and match the line Ⓔ with Ⓕ.

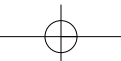
Shake off the hair clippings.

**THE WHOLE UNIT CAN BE WASHED IN WATER.**

**DO NOT USE BOILED WATER.**

After cleaning, replace the filter, the inner blade and the outer blade.

If used once a week for approx. 1 min. at a time, the life of the blades is approx. 3 years.



## Specifications

Power source: 1.5V DC  
(One AA(LR6) Alkaline battery, not  
included)  
Weight: 3.35 oz (95 g)

This product is intended for  
household use only.

### IN USA CONTACT:

Panasonic Corporation of North America  
Two Riverfront Plaza, Newark, NJ 07102-5490

**Service • Assistance • Accessories**  
**Dépannage • Assistance • Accessoires**

Call 1-800-338-0552 (In USA)  
<http://shop.panasonic.com/personal-care>  
<http://shop.panasonic.com/support>

Ⓢ EN (U.S.A.)

Printed in China  
ER92104303552 S0910-20316