

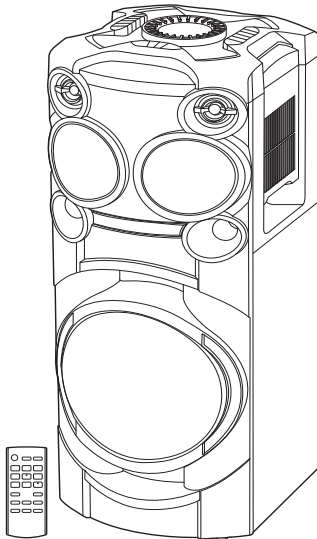
# Panasonic<sup>®</sup>

## Operating Instructions

# Wireless Speaker System

---

Model No. **SC-TMAX40**

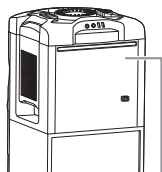


Thank you for purchasing this product.

For optimum performance and safety, please read these instructions carefully.

Please keep this manual for future reference.

Your system and the illustrations can look differently.



**CLASS 1  
LASER PRODUCT**

The symbols on this product (including the accessories) represent the following:

	AC
	Class II equipment (The construction of the product is double-insulated.)
	ON
	Standby

**For Australia and New Zealand**

**Disposal of Old Equipment and Batteries Only for European Union and countries with recycle systems**

These symbols are only valid in the European Union and countries with recycle systems.

If you wish to discard this product, please contact your local authorities or dealer and ask for the correct method of disposal.

**For India**

The specifications are exempted for any licensing requirement by Ministry of Communications and Information Technology, G.S.R. 45 (E), dated 28th January, 2005.

**For Thailand**

This telecommunication equipment conforms to NTC/NBTC technical requirement.

## Table of contents

Note on AC mains lead	2
Safety precautions	3
Supplied accessories	3
References	3
Transporting the unit	4
Maintenance	4
Preparing the remote control	4
Making the connections	5
Overview of controls	6
Preparing media	8
Media playback	9
Radio	10
Sound effects	11
Illumination	11
DJ functions	11
Using a microphone	12
Karaoke	13
Clock and timers	13
External equipment	14
Others	15
Troubleshooting	15
Specifications	18

## Note on AC mains lead

(For the AC mains plug of three pins)

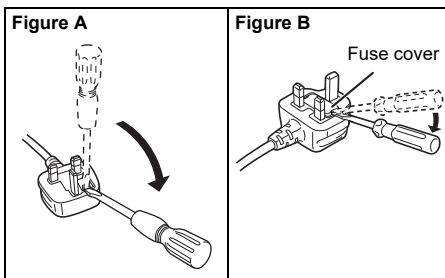
### Before use

Remove the connector cover.

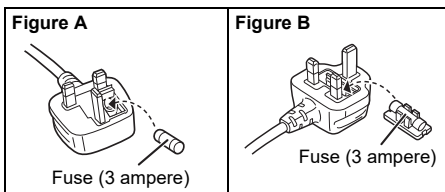
### How to replace the fuse

The location of the fuse differ according to the type of AC mains plug (figures A and B). Confirm the AC mains plug fitted and follow the instructions below. Illustrations may differ from actual AC mains plug.

1. Open the fuse cover with a screwdriver.



2. Replace the fuse and close or attach the fuse cover.



## Safety precautions

### WARNING!

#### Unit

- To reduce the risk of fire, electric shock or product damage,
  - Do not expose this unit to rain, moisture, dripping or splashing.
  - Do not place objects filled with liquids, such as vases, on this unit.
  - Use the recommended accessories.
  - Do not remove covers.
  - Do not repair this unit by yourself. Refer servicing to qualified service personnel.
  - Do not let metal objects fall inside this unit.

### CAUTION!

#### Unit

- To reduce the risk of fire, electric shock or product damage,
  - Do not install or place this unit in a bookcase, built-in cabinet or in another confined space. Ensure this unit is well ventilated.
  - Do not obstruct this unit's ventilation openings with newspapers, tablecloths, curtains, and similar items.
  - Do not place sources of naked flames, such as lighted candles, on this unit.
- This unit is intended for use in moderate and tropical climates.
- This unit may receive radio interference caused by mobile telephones during use. If such interference occurs, please increase separation between this unit and the mobile telephone.
- This unit utilizes a laser. Use of controls or adjustments or performance of procedures other than those specified herein may result in hazardous radiation exposure.
- Set the unit up on an even surface away from direct sunlight, high temperatures, high humidity, and excessive vibration.
- This system might get warm after prolonged usage. This is normal. Do not be alarmed.

#### AC mains lead

- The mains plug is the disconnecting device. Install this unit so that the mains plug can be unplugged from the socket outlet immediately.

#### Battery

- Danger of explosion if battery is incorrectly replaced. Replace only with the type recommended by the manufacturer.
- When disposing of the batteries, please contact your local authorities or dealer and ask for the correct method of disposal.
- Do not heat or expose to flame.
- Do not leave the battery(ies) in a car exposed to direct sunlight for a long period of time with doors and windows closed.
- Do not break open or short-circuit the battery.
- Do not charge the alkaline or manganese battery.
- Do not use the battery if the cover has peeled off.
- Remove the battery if you do not use the remote control for a long period of time. Keep in a cool, dark area.

## Supplied accessories

Check and identify the supplied accessories.

- For India**  
**1 AC mains lead**
- For others**  
**4 AC mains leads**
- For Saudi Arabia**



- 1 FM indoor antenna**



- 1 Remote control**  
(N2QAYB001215)

- For India**  
**2 Remote control batteries**
- For others**  
**1 Remote control battery**

#### Note:

Use the AC mains lead that is suitable for your household mains socket.

## References

### About Bluetooth®

Panasonic bears no responsibility for data and/or information that is compromised during a wireless transmission.

#### Frequency band

- This system uses the 2.4 GHz frequency band.

#### Certification

- This system conforms to the frequency restrictions and has received certification based on frequency laws. Thus, a wireless permit is not necessary.
- The actions below are punishable by law in some countries:
  - Taking apart or modifying the unit.
  - Removing specification indications.

#### Restrictions of use

- Wireless transmission and/or usage with all Bluetooth® equipped devices is not guaranteed.
- All devices must conform to standards set by the Bluetooth SIG, Inc.
- Depending on the specifications and settings of a device, it can fail to connect or some operations can be different.
- This system supports Bluetooth® security features. But depending on the operating environment and/or settings, this security is possibly not sufficient. Transmit data wirelessly to this system with caution.
- This system cannot transmit data to a Bluetooth® device.

#### Range of use

- Use this device at a maximum range of 10 m.
- The range can decrease depending on the environment, obstacles or interference.

### Interference from other devices

- This system may not function properly and troubles such as noise and sound jumps may arise due to radio wave interference if this unit is located too close to other Bluetooth® devices or the devices that use the 2.4 GHz band.
- This system may not function properly if radio waves from a nearby broadcasting station, etc. is too strong.

### Intended usage

- This system is for normal, general use only.
- Do not use this system near an equipment or in an environment that is sensitive to radio frequency interference (example: airports, hospitals, laboratories, etc.).

---

## Licenses

The Bluetooth® word mark and logos are registered trademarks owned by Bluetooth SIG, Inc. and any use of such marks by Panasonic Corporation is under license. Other trademarks and trade names are those of their respective owners.

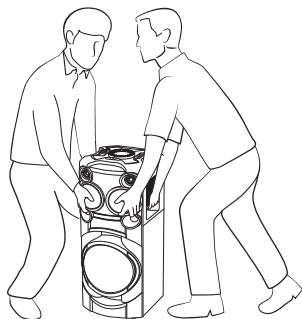
Android and Google Play are trademarks of Google LLC.

---

## Transporting the unit

### Preparation

Disconnect all connected devices and cables from the unit.

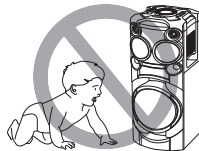


### Note:

- Keep the unit at least 10 mm away from other objects for proper ventilation.
- The speakers do not have magnetic shielding. Do not put them near PCs or other equipment easily influenced by magnetism.
- When you play at high levels for a long period, it can cause damage to the speakers and decrease the life of the speakers.
- Decrease the volume in these conditions to prevent damage:
  - When the sound is distorted.
  - When you adjust the sound quality.

### CAUTION!

- **Improper handling or transportation manner may cause the unit to fall, etc., resulting in damage and/or personal injury.**
- **Do not touch the speaker cone's reverberating surfaces:**
  - This may damage the speaker cone.
  - The speaker cone may be hot.
- **Do not put the unit on a table or any elevated surface.**
- **Do not allow children to climb on the unit.**
- **Be careful when babies or children are near.**



---

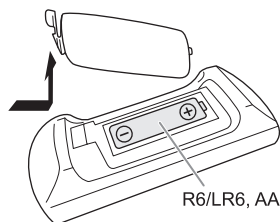
## Maintenance

**Disconnect the AC mains lead before maintenance. Clean this system with a soft, dry cloth.**

- Never use alcohol, paint thinner or benzine to clean this system.
- Before using chemically treated cloth, read the instructions that came with the cloth carefully.

---

## Preparing the remote control

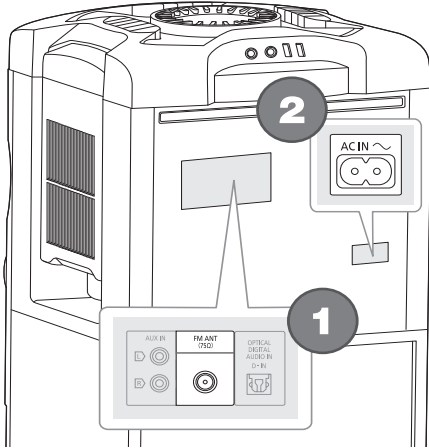


Use alkaline or manganese battery.

Install the battery so that the poles (+ and -) align with those in the remote control.

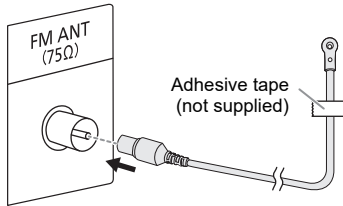
# Making the connections

Connect the AC mains lead only after all the other connections have been made.



## 1 Connect the FM indoor antenna.

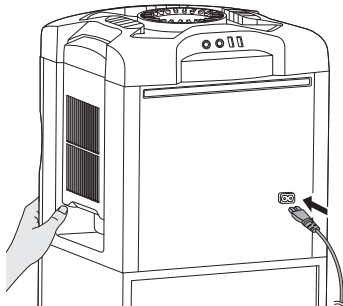
Put the antenna where reception is best.



## 2 Connect the AC mains lead.

Do not use any other AC mains lead except the supplied one.

Hold the unit when connecting or disconnecting the AC mains lead to prevent the unit from falling.



To household mains socket

## Conserving power

The system consumes a small amount of power even when it is in standby mode. Disconnect the power supply if you do not use the system.

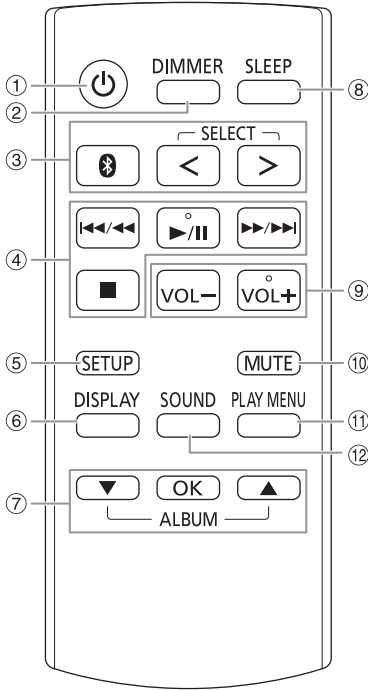
Some settings will be lost after you disconnect the system. You have to set them again.

### Note:

Keep the antennas away from the AC mains lead to avoid picking up noise.

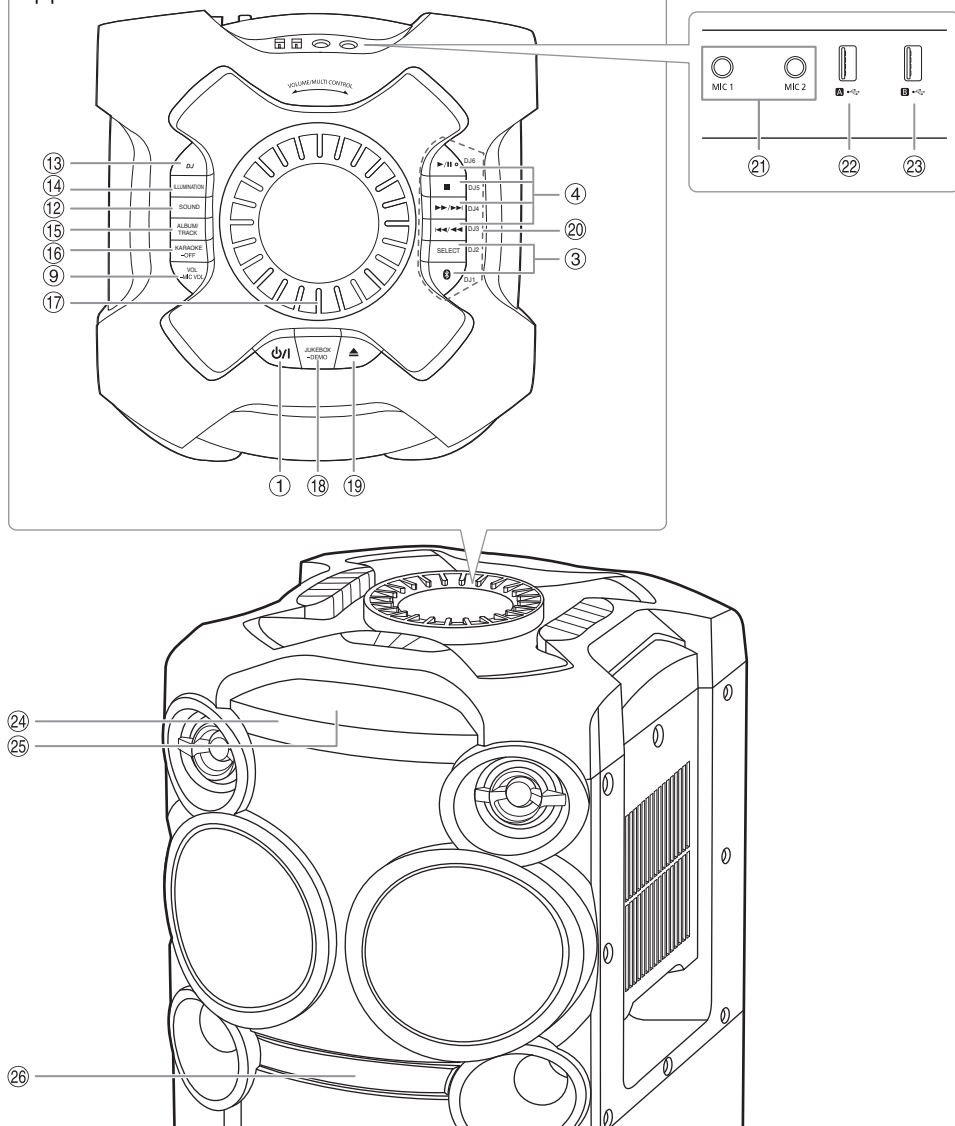
# Overview of controls

Do the procedures with the remote control. You can also use the buttons on the unit if they are the same.



- ① **Standby/on switch** [⏻], [⏿]  
Press to switch the unit from on to standby mode or vice versa. In standby mode, the unit is still consuming a small amount of power.
- ② **Decrease the brightness of the display panel**  
The illumination is also switched off. To cancel, press the button again.
- ③ **Select the audio source**  
Press [SELECT <, >] (unit: [SELECT]) repeatedly to select the source:  
USB A → USB B → CD → FM  
↑ ↓  
BLUETOOTH ← AUX ← D-IN  
On the unit:  
To start Bluetooth® pairing, press and hold [Ⓜ].
- ④ **Basic playback control**
- ⑤ **View the setup menu**
- ⑥ **View the content information**
- ⑦ **Select or confirm the option**
- ⑧ **Set the sleep timer**
- ⑨ **Adjust the volume level**  
On the unit:  
Press [VOL] and then turn [VOLUME/MULTI CONTROL] to adjust the volume.  
**Adjust the microphone volume level**  
Press and hold [-MIC VOL] until "MIC VOL" is shown. Turn [VOLUME/MULTI CONTROL] to adjust the volume.
- ⑩ **Mute the sound**  
To cancel, press the button again. "MUTE" is also cancelled when you adjust the volume or when you switch off the system.
- ⑪ **View the play menu**
- ⑫ **Select the sound effects**
- ⑬ **Select DJ effect or DJ sampler**
- ⑭ **Select the illumination effects**
- ⑮ **Select MP3 album or track**  
Press [ALBUM/TRACK] to select album or track.  
**Browse tracks or albums**  
Press [▲, ▼] or turn [VOLUME/MULTI CONTROL] to browse.  
To start playback from the selection, press [▶/⏩].
- ⑯ **Select the Karaoke effects**  
To cancel, press and hold [-OFF] until "OFF EFFECT" is shown.
- ⑰ **Volume or multi control knob**  
Do not turn knob fast to prevent irregular of volume operation.
- ⑱ **Select DJ jukebox**  
**Select DEMO play**  
Press and hold [-DEMO] for more than 2 seconds, the built-in demonstration song will be played.  
Press [■] to stop the demonstration.

## Top panel



19 Open or close the disc tray

### 20 DJ function direct buttons

Press [DJ] to switch on the DJ function.  
Press [DJ1] to [DJ6] to select the desired function.  
To cancel, press the selected [DJ1] to [DJ6] again.

21 Microphone jack

### 22 USB A

USB port (←→)  
Play MP3 tracks.

### 23 USB B

USB port (←→)  
Play MP3 tracks.

### 24 Remote control sensor

Point the remote control at the remote control sensor, away from obstacles and within the operation range.  
Distance: Within approximately 7 m  
Angle: Approximately 20° up and down, 30° left and right

25 Display panel

26 Disc tray

---

# Preparing media

---

## Disc

- 1 Press [▲] on the unit to open the disc tray.  
Put in a disc with the label facing up.  
Press again to close the disc tray.
- 2 Press [SELECT <, >] repeatedly to select "CD".

---

## USB

### Preparation

Before you connect a USB device to the system, make sure you do a backup of the data.

- 1 Decrease the volume and connect the USB device to the USB port.
- 2 Press [SELECT <, >] repeatedly to select "USB A" or "USB B".

### Note:

- Do not use a USB extension cable. The system cannot recognise USB device connected through a cable.
- Some devices cannot be charged as the maximum USB charging current is 0.5 A only.

---

## Bluetooth®

You can connect and play an audio device wirelessly through Bluetooth®.

### Preparation

- Switch on the unit.
- Switch on the Bluetooth® feature of the device and put the device near the system.
- Read the operating instructions of the device for details.

## Pairing a device

### Preparation

If this system is connected to a Bluetooth® device, disconnect it (⇒ 8).

- 1 Press [Ⓜ].  
If "PAIRING" is shown, continue with step 3.
- 2 Press [PLAY MENU] to select "PAIRING" and then press [OK].
- 3 Select "SC-TMAX40" from the Bluetooth® menu of the device.  
If prompted for a passkey, input "0000" or "1234".  
The device connects with this system automatically after pairing is complete.  
The MAC address (example: 6C:5A:B5:B3:1D:0F) may be shown before "SC-TMAX40" is shown.  
The name of the connected device is shown for a few seconds.

### Using the unit

- 1 Press and hold [Ⓜ] until "PAIRING" is shown.
- 2 Select "SC-TMAX40" from the Bluetooth® menu of the device.

### Note:

- You can pair up to 8 devices with this system. If a 9th device is paired, the device that has not been used for the longest time will be replaced.
- Depending on the searching functionality of the Bluetooth® device and the surrounding environment, if the product name is not shown on the Bluetooth® menu of the device, switch off and then switch on the Bluetooth® feature of the device repeatedly during the pairing process.

## Connecting a device

### Preparation

If this system is connected to a Bluetooth® device, disconnect it (⇒ 8).

- 1 Press [Ⓜ].  
"BLUETOOTH READY" is shown.
- 2 Select "SC-TMAX40" from the Bluetooth® menu of the device.  
The name of the connected device is shown for a few seconds.
- 3 Start playback on the device.

### Note:

- A device must be paired to connect.
- When "BLUETOOTH" is selected as the source, this system will automatically try to connect to the last connected device. ("LINKING" is shown during this process.)

## Multi Connect

This system supports Multi Connect, which can connect up to 3 devices simultaneously.

### To switch between the connected devices

When one of the connected devices is playing, you can easily switch control to another connected device simply by starting a playback on that device. The previous playback will be paused automatically.

### Note:

This function may not work for some apps or devices (depending on app or device specifications).

## Disconnecting a device

### While a Bluetooth® device is connected

- 1 Press [PLAY MENU] repeatedly to select "DISCONNECT?".
- 2 Press [▲, ▼] to select "OK? YES" and then press [OK].  
"BLUETOOTH READY" is shown.  
To cancel, select "OK? NO".

### Using the unit

Press and hold [Ⓜ] until "PAIRING" is shown.

### Note:

- This function disconnects all connected devices.
- A device is disconnected when you:
  - Select a different source.
  - Move the device out of the maximum range.
  - Disable the Bluetooth® transmission of the device.
  - Switch off the system or the device.



# Media playback

The following marks indicate the availability of the feature.

- CD**: CD-R/RW in CD-DA format or with MP3 files.
- USB**: USB device with MP3 files.
- BLUETOOTH**: Bluetooth® device.

## Basic playback

**CD** **USB** **BLUETOOTH**

Play	Press [▶/⏪].
Stop	Press [■]. <b>USB</b> The position is memorised. "RESUME" is shown. Press again to stop fully.
Pause	Press [▶/⏪]. Press again to continue playback.
Skip	Press [◀◀/▶▶] or [▶▶/▶▶] to skip track. <b>CD</b> <b>USB</b> Press [▲, ▼] to skip MP3 album.
Search	Press and hold [◀◀/▶▶] or [▶▶/▶▶].

**Note:**  
Depending on the Bluetooth® device, some operations may not work.

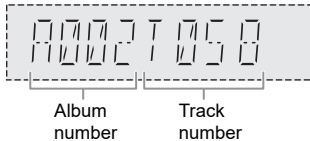
## Viewing available information

**CD** **USB** **BLUETOOTH**

You can view the available information, such as MP3 album and track number, on the display panel.

Press [DISPLAY] repeatedly.

Example: MP3 album and track number display.



- Note:**
- Maximum characters that can be shown: Approximately 32
  - This system supports ver. 1.0, 1.1 and 2.3 ID3 tags.
  - Text data that the system does not support can show differently.

## Play menu

**CD** **USB**

- 1 **CD**  
Press [PLAY MENU].  
**USB**  
Press [PLAY MENU] repeatedly to select "PLAYMODE".
- 2 Press [▲, ▼] to select the setting and then press [OK].

OFF PLAYMODE	Cancel the setting.
1-TRACK	Play one selected track. Press [◀◀/▶▶] or [▶▶/▶▶] to select the track.
1-ALBUM	Play one selected MP3 album. Press [▲, ▼] to select the MP3 album.
RANDOM	Play all tracks randomly.
1-ALBUM RANDOM	Play all tracks in one selected MP3 album randomly. Press [▲, ▼] to select the MP3 album.
ALL REPEAT	Repeat all tracks.
1-TRACK REPEAT	Repeat 1-TRACK.
1-ALBUM REPEAT	Repeat 1-ALBUM.
RANDOM REPEAT	Repeat random playback.
1-ALBUM RANDOM REPEAT	Repeat 1-ALBUM RANDOM.

- Note:**
- During random playback, you cannot skip to tracks which have been played.
  - The setting is cancelled when you open the disc tray or disconnect the USB device.

### Note on disc

- This system can play CD-R/RW with CD-DA or MP3 format content.
- Before playback, finalise the disc on the device it was recorded on.
- Some CD-R/RW cannot be played because of the condition of the recording.

### Note on USB device

- This system does not guarantee connection with all USB devices.
- This system supports USB 2.0 full speed.
- This system can support USB devices of up to 32 GB.
- Only FAT 12/16/32 file system is supported.

### Note on MP3 file

- Files are defined as tracks and folders are defined as albums.
- Tracks must have the extension “.mp3” or “.MP3”.
- Tracks will not necessarily be played in the order you recorded them.
- Some files can fail to work because of the sector size.

### MP3 file on disc

- This system can access up to:
  - 255 albums (including root folder)
  - 999 tracks
  - 20 sessions
- Disc must conform to ISO9660 level 1 or 2 (except for extended formats).

### MP3 file on USB device

- This system can access up to:
  - 800 albums (including root folder)
  - 8000 tracks
  - 999 tracks in one album

## Radio

### Preparation

Press [SELECT <, >] repeatedly to select “FM”.

### Manual tuning

- 1 Press [PLAY MENU] repeatedly to select “TUNE MODE”.**  
Or press [■] on the unit to select “MANUAL”. Continue with step 3.
- 2 Press [▲, ▼] to select “MANUAL” and then press [OK].**
- 3 Press [◀◀/▶▶] or [▶▶/▶▶] to tune in to the station.**  
To tune automatically, press and hold the button until the frequency starts changing quickly. “STEREO” is shown when a stereo broadcast is being received.

### Memory presetting

You can preset up to 30 FM stations.

### Automatic presetting

- 1 Press [PLAY MENU] to select “A.PRESET”.**
- 2 Press [▲, ▼] to select “LOWEST” or “CURRENT” and then press [OK].**

LOWEST	Tuning begins from the lowest frequency.
CURRENT	Tuning begins from the current frequency.

The tuner presets all the stations it can receive into the channels in ascending order.  
To cancel, press [■].

### Manual presetting

- 1 Press [PLAY MENU] repeatedly to select “TUNE MODE”.**  
Or press [■] on the unit to select “MANUAL”. Continue with step 3.
- 2 Press [▲, ▼] to select “MANUAL” and then press [OK].**
- 3 Press [◀◀/▶▶] or [▶▶/▶▶] to tune in to the station.**
- 4 Press [OK].**
- 5 Press [▲, ▼] to select a preset number and then press [OK].**  
Do steps 3 through 5 again to preset more stations.  
The new station replaces any station that occupies the same preset number.

## Selecting a preset station

- 1 Press [PLAY MENU] repeatedly to select "TUNE MODE".  
Or press [■] on the unit to select "PRESET". Continue with step 3.
- 2 Press [▲, ▼] to select "PRESET" and then press [OK].
- 3 Press [◀◀/▶▶] or [▶▶/▶▶] to select the preset station.

## Improving the sound quality

- 1 Press [PLAY MENU] repeatedly to select "FM MODE".
- 2 Press [▲, ▼] to select "MONO" and then press [OK].  
To cancel, select "STEREO".  
"MONO" is also cancelled when you change the frequency.  
**To memorise the setting**  
Continue with step 4 of "Manual presetting" (⇒ 10).

## Checking the signal status

Press [DISPLAY].

FM - - - -	The FM signal is weak. The system is not tuned in to a station.
FM ST	The FM signal is in stereo.
FM MONO	"MONO" is selected as the "FM MODE". The FM signal is in monaural.

## Sound effects

- 1 Press [SOUND] repeatedly to select the effect.
- 2 Press [▲, ▼] to select the setting and then press [OK].  
Or turn [VOLUME/MULTI CONTROL] to select the setting.

PRESET EQ	"ROCK", "POP", "AFRO BEAT", "ARABIC", "PERSIAN", "INDIA BASS", "DANGDUT", "MALAY POP", "ELECTRONICA", "REGGAETON", "SALSA", "SAMBA", "FOOTBALL", "KARAOKE" or "FLAT"
BASS/MID/TREBLE	-4 to +4  <b>Note:</b> These settings can change when you select a PRESET EQ setting.
SURROUND	"ON SURROUND" or "OFF SURROUND"
D.BASS LEVEL	"OFF", "LEVEL 1" to "LEVEL 6"

## Illumination

You can change the illumination effect on the system.

- 1 Press [SETUP] repeatedly to select "ILLUMINATION".  
Or press [ILLUMINATION] on the unit.
- 2 Press [▲, ▼] to select the effect and then press [OK].  
Or turn [VOLUME/MULTI CONTROL] to select the effect.

PATTERN	A selection of 10 illumination patterns in multiple colours.
COLOR	A selection of 60 different illumination colours on the speakers.
OFF	Cancel the effect.

**Note:**

When the dimmer function is switched on, the illumination on the system will remain off even when you switch on the illumination function.

## DJ functions

You can use the DJ functions to add sound effects or sample sound between songs.

### Using the "Panasonic MAX Juke" app

You can download and install the free Android™ app "Panasonic MAX Juke" on Google Play™ for additional features, such as to request song playback from multiple devices simultaneously. You can also call up the tracks you want to play through the app. For details on the app, refer to the site below.

<http://av.jpn.support.panasonic.com/support/global/cs/audio/app/>  
(This site is in English only.)

**Note:**

The DJ function is switched off when you switch off the system or change to another source.

## DJ jukebox

**USB**

You can use the DJ jukebox function to add sample sound mix between songs.

- 1 Press [PLAY MENU] to select "JUKEBOX".
- 2 Press [▲, ▼] to select the setting and then press [OK].

**Using the unit**

- 1 Press [JUKEBOX] to select "DJ JUKEBOX SELECT NUMBER".  
To cancel, select "OFF JUKEBOX".
- 2 Press [DJ1] to [DJ6] to select the effect.  
Sample sound is added to the intervals of all tracks.  
To cancel, press the button again.

**Note:**

The system switches to repeat mode automatically when you switch on DJ jukebox.

## Changing the repeat setting

- 1 Press **[PLAY MENU]** repeatedly to select “PLAYMODE”.
- 2 Press **[▲, ▼]** to select the setting and then press **[OK]**.

RANDOM REPEAT	Repeat random playback.
ALL TITLE REPEAT	Repeat all tracks.
RANDOM MIX REPEAT	Repeat random playback. Sample sound is added to the intervals of all tracks.

**Note:**

You cannot select the DJ jukebox effect when you are using “RANDOM MIX REPEAT” mode.

## DJ effect

(Except for D-IN and AUX source)

### By unit only

You can use the DJ effect function to add sound effects.

- 1 Press **[DJ]** to select “DJ EFFECT SELECT NUMBER” or “ON DJ EFFECT”. To cancel, select “OFF EFFECT”.
- 2 Press **[DJ1]** to **[DJ6]** to select the effect.

[DJ1]	PHASER Add space and dimension to the sound.
[DJ2]	FILTER Enhance or filter specific ranges of the sound.
[DJ3]	SOUND CHOPPER Cut off the sound periodically.
[DJ4]	ELECTRO ECHO Add digital echo to the sound.
[DJ5]	PITCH SHIFTER Adjust the keys of the sound.
[DJ6]	HARMONIZER Add notes to the sound to create harmony.

To cancel, press the button again.

- 3 Turn **[VOLUME/MULTI CONTROL]** to select the setting.

**Note:**

DJ effect is switched off when you switch off the system, change to D-IN, AUX source.

## DJ sampler

(Except for D-IN and AUX source)

### By unit only

You can apply a scratch sound or sample sound to the track you are playing.

- 1 Press **[DJ]** to select “SAMPLER SELECT NUMBER” or “ON SAMPLER”. To cancel, select “OFF EFFECT”.
- 2 Press **[DJ1]** to **[DJ6]** to select the desired sound. To cancel, press the button again.
- 3 Turn **[VOLUME/MULTI CONTROL]**.

## Using a microphone

### Preparation

Decrease the volume of the system to its minimum before you connect or disconnect a microphone.

- 1 Connect a microphone (not supplied) to the microphone jack.  
Plug type: Ø 6.3 mm monaural
- 2 Press **[SOUND]** on the remote control repeatedly to select “MIC VOL”.  
Or press and hold **[-MIC VOL]** until “MIC VOL” is shown.
- 3 Press **[▲, ▼]** to adjust the volume of the microphone and then press **[OK]**.  
Or turn **[VOLUME/MULTI CONTROL]** to adjust the volume of the microphone.
- 4 If you want to sing with the background music, play the music source and adjust the volume of the system.

**Note:**

- If a strange noise (howling) is emitted, move the microphone away from the speakers, or decrease the volume of the microphone.
- When you do not use the microphone, disconnect it from the microphone jack, and decrease the volume of the microphone to its minimum.

# Karaoke

## Preparation

Select the music source.

### Note:

The Karaoke function is switched off when you switch off the system.

## Karaoke effect

You can use the Karaoke effect function to add sound effects.

- Press [SOUND] on the remote control repeatedly to select "KARAOKE EFFECT" and then press [▲, ▼] to select the effect.  
Or press [KARAOKE] repeatedly to select the effect.

VOCAL CANCEL	Reduce the vocal level or change the audio mode (depending on the source).
ECHO	Add an echo effect to the sound.
KEY CONTROL	Change the key of a song.
TEMPO	<b>USB</b> Change the speed of a song.
BGM	Change the background music level.
MIC EQ	Select a MIC EQ mode.
OFF EFFECT	Cancel the effect. Press [OK] to confirm. Or press and hold [-OFF] until "OFF EFFECT" is shown.

To check the current setting, press [OK].

- Press [◀◀/▶▶] or [▶▶/▶▶] to select the setting and then press [OK].  
Or turn [VOLUME/MULTI CONTROL] to select the setting.

VOCAL CANCEL	"OFF", 1 to 3, "L", "R", "L+R" <b>When using stereo source not formatted for Karaoke</b> It is recommended to use "2 VOCAL CANCEL" for most songs. <b>When using Karaoke formatted source</b> L: Only left channel sound (accompaniment only) R: Only right channel sound (vocals only) L+R: Left and right channel sounds are mixed
ECHO	"OFF", 1 to 4
KEY CONTROL	-6 to +6
TEMPO	"OFF", -2 to +2
BGM	"OFF", 1 to 3
MIC EQ	"SINGING" or "SPEECH"

# Clock and timers

## Setting the clock

This is a 24-hour clock.

- Press [SETUP] repeatedly to select "CLOCK".
- Press [▲, ▼] to set the time and then press [OK].

### To check the time

Press [SETUP] to select "CLOCK" and then press [OK].

In standby mode, press [DISPLAY].

### Note:

- The clock is reset when there is a power failure or when the AC mains lead is disconnected.
- Reset the clock regularly to maintain accuracy.

## Sleep timer

The sleep timer switches off the system after the set time.

Press [SLEEP] to select the setting (in minutes).

To cancel, select "OFF".

SLEEP 30 → SLEEP 60 → SLEEP 90 → SLEEP 120  
 ↖ OFF ↗

### To check the remaining time

Press [SLEEP].

### Note:

- The remaining time is shown for a few seconds every minute. "SLEEP 1" is always shown when only 1 minute remains.
- The sleep timer always comes first. Be sure not to set an overlap of timers.

## Play timer

(Except for Bluetooth®, D-IN and AUX source)

You can set the timer to come on at a certain time to wake you up.

### Preparation

Set the clock.

- Press [SETUP] repeatedly to select "TIMER ADJ".
- Press [▲, ▼] to select "▶▶ PLAY" and then press [OK].
- Press [▲, ▼] to set the start time and then press [OK].
- Do step 3 again to set the end time.
- Press [▲, ▼] to select the source you want to play and then press [OK].

### To start the timer

- 1 Prepare the source you want to listen to (disc, USB or radio).
- 2 Press [SETUP] repeatedly to select "TIMER SET".
- 3 Press [▲, ▼] to select "PLAY ON" and then press [OK].  
To cancel, select "PLAY OFF".  
The system must be switched off for the timer to operate.

### To check the setting

- 1 Press [SETUP] repeatedly to select "TIMER ADJ".
- 2 Press [▲, ▼] to select "PLAY" and then press [OK].

In standby mode, press [DISPLAY] two times.

#### Note:

- The timer starts at a low volume and increases gradually to the preset level.
- The timer comes on at the set time every day if the timer is on.
- If you switch off the system and then switch on again while a timer is in operation, the timer will not stop at the end time.

## External equipment

### Preparation

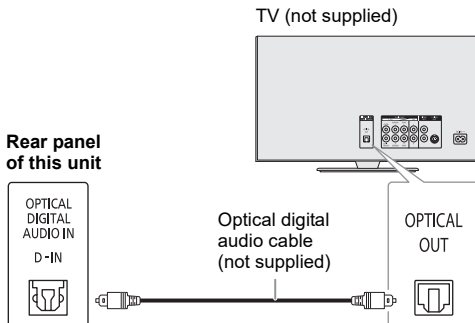
- Disconnect the AC mains lead.
- Switch off all equipment and read the appropriate operating instructions.

#### Note:

- Do not bend cables at sharp angles.
- Components and cables are sold separately.
- Sound distortion can occur when you use an adapter.
- If you want to connect equipment other than those described, refer to the audio dealer.

## Using the optical input

You can connect a TV, VCR, DVD player etc., and listen to the audio through this system.



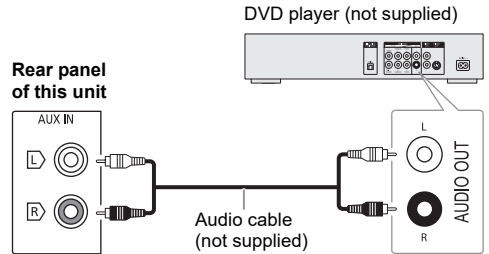
- 1 Connect the external equipment.
- 2 Press [SELECT <, >] repeatedly to select "D-IN".
- 3 Play the external equipment.

#### Note:

- This system supports linear PCM signal.
- Multi-channel source will be converted to 2 channels.
- Sampling frequency: 32 kHz, 44.1 kHz, 48 kHz, up to 96 kHz
- The sound is muted if the signal format or frequency is not supported.
- If there are sounds coming from the TV's speakers, decrease the volume of the TV to its minimum.

## Using the auxiliary input

You can connect a VCR, DVD player etc., and listen to the audio through this system.



- 1 Connect the external equipment.
- 2 Press [SELECT <, >] repeatedly to select "AUX".
- 3 Play the external equipment.

## Others

### Auto off

This function will automatically switch the unit to standby mode if there is no sound and it is not being used for approximately 20 minutes.

- 1 Press [SETUP] repeatedly to select "AUTO OFF".
- 2 Press [▲, ▼] to select "ON" and then press [OK]. To cancel, select "OFF".

#### Note:

- This function does not work when you are in radio source.
- This function may not work when a microphone is connected.
- The factory default is "ON". To switch off this function, select "OFF".

### Bluetooth® standby

This function automatically switches on the system when you establish a Bluetooth® connection from a paired device.

- 1 Press [SETUP] repeatedly to select "BLUETOOTH STANDBY".
- 2 Press [▲, ▼] to select "ON" and then press [OK]. To cancel, select "OFF".

#### Note:

Some devices may take longer to respond. If you are connected to a Bluetooth® device before switching off the system, wait for a minimum of 5 seconds before connecting to this system from your Bluetooth® device again.

## Software update

Occasionally, Panasonic may release updated software for this unit that may add or improve the way a feature operates. These updates are available free of charge. For more details, refer to the following website.

<http://panasonic.jp/support/global/cs/>  
(This site is in English only.)

### Checking the software version

- 1 Press [SETUP] repeatedly to select "SW VER.," and then press [OK]. The software version is shown.
- 2 Press [OK] again to exit.

## Troubleshooting

Before requesting service, make the following checks. If you are in doubt about some of the check points, or if the solutions indicated do not solve the problem, consult your dealer for instructions.

### Common problems

#### The unit does not work.

- The safety device has been activated. Do the following:
  1. Press [⏻] on the unit to switch the unit to standby mode. If the unit does not switch to standby mode, disconnect the AC mains lead and then connect it again.
  2. Press [⏻] again to switch on the unit. If the problem persists, consult your dealer.

#### The display panel lights up and changes continuously in standby mode.

- Press and hold [■] on the unit until "SDEMO OFF" is shown.

#### No operations can be done with the remote control.

- Examine that the battery is installed correctly.

#### Sound is distorted or no sound.

- Adjust the volume of the system.
- Switch off the system, determine and correct the cause, and then switch on again. It can be caused by straining of the speakers through excessive volume or power, and when using the system in a hot environment.

#### A humming sound can be heard during playback.

- An AC mains lead or fluorescent light is near the cables. Keep other appliances and cords away from the cables of this system.

#### The sound level reduces.

- The protection circuit has been activated due to the continuous use at high volume output. This is to protect the system and maintain the sound quality.

### Disc

#### Display not shown correctly.

#### Playback does not start.

- You have not put in the disc correctly. Put it in correctly.
- Disc is dirty. Clean the disc.
- Replace the disc if it is scratched, warped, or non-standard.
- There is condensation. Let the system dry for 1 to 2 hours.

#### The total number of tracks shown is incorrect.

#### The disc cannot be read.

#### Distorted sound is heard.

- You put in a disc that the system cannot play. Change to a playable disc.
- You put in a disc that has not been finalised.

### USB

#### The USB device or the contents in it cannot be read.

- The format of the USB device or the contents in it are not compatible with the system.
- USB devices with storage capacity of more than 32 GB cannot work in some conditions.

#### Slow operation of the USB device.

- Large content size or large memory USB device takes longer time to read.

## Bluetooth®

### Pairing cannot be done.

- Check the Bluetooth® device condition.
- The device is out of the 10 m communication range. Move the device nearer to the system.

### The device cannot be connected.

- The pairing of the device was unsuccessful. Do pairing again (⇒ 8).
- The pairing of the device has been replaced. Do pairing again (⇒ 8).
- This system might be connected to a different device. Disconnect the other device and try connecting the device again.
- The system may have a problem. Switch off the system and then switch on again.

### The device is connected but audio cannot be heard through the system.

- For some built-in Bluetooth® devices, you have to set the audio output to "SC-TMAX40" manually. Read the operating instructions of the device for details.

### Playback during Multi Connect is not working or no sound.

- Restart the app of the device.
- The control of the device was not switched successfully. Disconnect the existing connected devices and try again.

### Sound from the device is interrupted.

- The device is out of the 10 m communication range. Move the device nearer to the system.
- Remove any obstacle between the system and the device.
- Other devices that use the 2.4 GHz frequency band (wireless router, microwaves, cordless phones, etc.) are interfering. Move the device nearer to the system and distance it from the other devices.

## Radio

### Sound is distorted.

- Use an optional FM outdoor antenna. The antenna should be installed by a competent technician.

### A beat sound is heard.

- Switch off the TV or move it away from the system.
- Move mobile telephones away from the system if the interference is apparent.

## Unit displays

### "--:--"

- You connected the AC mains lead for the first time or there was a power failure recently. Set the clock.
- Track play time is more than 99 minutes.

### "ADJUST CLOCK"

- The clock is not set. Adjust the clock.

### "ADJUST TIMER"

- The play timer is not set. Adjust the play timer.

### "AUDIO UNSUPPORTED"

- The signal format or frequency is not supported.
- This system does not support bitstream signals. Change the digital audio output setting on the external equipment to PCM.
- This system supports sampling frequencies of 32 kHz, 44.1 kHz, 48 kHz, up to 96 kHz. Select only the supported sampling frequencies on the connected equipment.
- Try connecting the external equipment by using the auxiliary input.

### "AUTO OFF"

- The system has not been used for 20 minutes and will switch off within a minute. To cancel, press any button.

### "DEVICE CONNECTED FULL"

- You have connected 3 Bluetooth® devices. To connect another device, disconnect one of the connected devices and try again.

### "ERROR"

- An incorrect operation was done. Read the instructions and try again.

### "F□□" / "F□□□" ("□" represents a number.)

- The protection circuit has been activated and the system may be switched off automatically.
- Disconnect the AC mains lead and wait for a few seconds before connecting it again. If the problem persists, disconnect the AC mains lead and consult your dealer.

### "NO DISC"

- You have not put in a disc.

### "NO PLAY"

### "UNSUPPORT"

- There is no album or track in the USB device.
- Examine the content. You can only play supported format.
- The files in the USB device can be corrupted. Format the USB device and try again.
- The system may have a problem. Switch off the system and then switch on again.

### "NOT SUPPORT MULTI CONNECT"

- The Bluetooth® connection cannot be established. Disconnect the existing connected devices and try again.

### "NOT SUPPORTED"


- To use Karaoke effect in D-IN source, change the digital audio output setting on the external equipment to PCM.

### "PLAYERROR"

- An unsupported MP3 file has been played. The system will skip that track and play the next one.

### "REMOTE 1"

### "REMOTE 2"

- The remote control and the unit are using different codes. Change the code of the remote control.
  - When "REMOTE 1" is shown, press and hold [OK] and  on the remote control for a minimum of 4 seconds.
  - When "REMOTE 2" is shown, press and hold [OK] and [◀] for a minimum of 4 seconds.

### "USB A NO DEVICE"

### "USB B NO DEVICE"

- The USB device is not connected. Examine the connection.

### "USB OVER CURRENT ERROR"

- The USB device is drawing too much power. Disconnect the USB device, switch off the system and then switch on again.
- Check the connection, it may be caused by a faulty USB cable.

### "VBR"

- The system cannot show the remaining play time for variable bit rate (VBR) tracks.



---

## Remote control code

When other Panasonic equipment responds to the remote control of this system, change the remote control code for this system.

### Preparation

Press [SELECT] repeatedly on the unit to select "AUX".

### To set the code to "REMOTE 2"

- 1 Press and hold [SELECT] on the unit and [◀] until "REMOTE 2" is shown.
- 2 Press and hold [OK] and [◀] for a minimum of 4 seconds.

### To set the code to "REMOTE 1"

- 1 Press and hold [SELECT] on the unit and [⊗] on the remote control until "REMOTE 1" is shown.
- 2 Press and hold [OK] and [⊗] on the remote control for a minimum of 4 seconds.

---

## System memory reset

Reset the memory when the following situations occur:

- There is no response when buttons are pressed.
- You want to clear and reset the memory contents.

- 1 Press and hold [⏮] on the unit until "RESET?" is shown.
- 2 While you press and hold [⏮] on the unit, press [SELECT].  
"RESET" is shown.  
After "-----" is shown, the unit will switch off automatically.  
All the settings are set back to the factory preset.  
It is necessary to set the memory items again.

---

## DEMO play

The unit will play built-in demonstration song for 1 minute.

- 1 Press and hold  $\left[ \begin{array}{c} \text{JUKEBOX} \\ \text{-DEMO} \end{array} \right]$  for more than 2 seconds.  
"WAIT FOR DEMO PLAY" is shown while you press and hold the button.  
Demonstration song is played and "DEMOPLAY" is shown.
- 2 Press [■] to stop the demonstration song.

# Specifications

## General

<b>Power supply</b>	AC 220 V to 240 V, 50/60 Hz
<b>Power consumption</b>	196 W
<b>Power consumption in standby mode (approximate)</b>	
With "BLUETOOTH STANDBY" set to "OFF"	0.5 W
With "BLUETOOTH STANDBY" set to "ON"	0.6 W

**Dimensions (W x H x D)** 305 mm x 804 mm x 326 mm

**Mass** 17.5 kg

**Operating temperature range** 0°C to +40°C

**Operating humidity range**  
35% to 80% RH (no condensation)

## Amplifier section

### RMS output power stereo mode

Front Ch (both ch driven)  
200 W per channel (6 Ω), 1 kHz, 30% THD

Subwoofer Ch (x 2)  
400 W per channel (3 Ω), 100 Hz, 30% THD

Total RMS stereo mode power 1200 W

**PMPO output power** 13200 W

## Tuner section

### Frequency modulation (FM)

Preset memory 30 stations

Frequency range  
87.50 MHz to 108.00 MHz (50 kHz step)

Antenna terminals 75 Ω (unbalanced)

## Disc section

### Disc played (8 cm or 12 cm)

CD, CD-R/RW (CD-DA, MP3\*)

\* MPEG-1 Layer 3

### Pick up

Wavelength 790 nm (CD)

## Terminal section

### USB port

USB standard USB 2.0 full speed

Media file format support MP3 (\*.mp3)

USB device file system FAT12, FAT16, FAT32

### Digital audio input

Optical digital input Optical terminal

Sampling frequency 32 kHz, 44.1 kHz, 48 kHz, 96 kHz

Audio format PCM

### Microphone

Terminal Mono, 6.3 mm jack (2 system)

### Analog audio input

Audio input Pin jack (1 system)

## Bluetooth® section

### Version

Bluetooth® Ver. 5.0

### Class

Class 1

### Supported profiles

A2DP, AVRCP, SPP

### Frequency band

2.4 GHz band FH-SS

### Operating frequency

2402 MHz to 2480 MHz

### Maximum power (EIRP)

8 dBm

### Operation distance

30 m line of sight

### Supported codec

SBC

## Speaker section

### Front speaker

#### Speaker unit(s)

Tweeter 6 cm cone type x 2

Woofer 10 cm cone type x 2

### Subwoofer

#### Speaker unit(s)

Super Woofer 20 cm cone type x 1

### Note:

- Specifications are subject to change without notice. Mass and dimensions are approximate.
- Total harmonic distortion is measured by the digital spectrum analyser.

# Panasonic Warranty

1. Subject to the conditions of this warranty Panasonic or its Authorised Service Centre will perform necessary service on the product, without charge for parts or labour, if in the opinion of Panasonic the product is found to have a manufacturing defect within one (1) year or (12 months) (the "warranty period") from the date of purchase appearing on your purchase receipt.
2. This warranty only applies to Panasonic products purchased in Australia and sold by Panasonic Australia, its Authorised Distributors, or Dealers, and only where the products are used and serviced within Australia or its territories. Warranty cover only applies to the services that are carried out by a Panasonic Authorised Service Centre and only if valid proof of purchase is presented when the warranty service is requested.
3. This warranty only applies if the product has been installed and/or used in accordance with the manufacturer's recommendations (as noted in the operating instructions) under normal use and reasonable care (in the opinion of Panasonic). The warranty does not cover damage, malfunction or failure resulting from use of incorrect voltages, incorrect installation, accident, misuse, neglect, build-up of dirt or dust, abuse, maladjustment of customer controls, mains supply problems, thunderstorm activity, infestation by insects or vermin, tampering or repair by unauthorised persons (including unauthorised alterations), exposure to abnormally corrosive conditions, or any foreign object or matter having entered the product.
4. This warranty does not cover the following items unless the fault or defect existed at the time of purchase:
  - (a) Consumable parts
  - (b) Cosmetic parts
  - (c) Worn or damaged parts
  - (d) Information stored on Hard Disk Drives, Optical Discs, USB Devices, SD Cards, Tapes
  - (e) DTV reception issues caused by TV Aerial / Cabling / Wall socket(s)
5. Some products may be supplied with Ethernet connection hardware. The warranty is limited on such products and will not cover:
  - (a) Internet and or DLNA connection / setup related problems
  - (b) Access fees and or charges incurred for internet connection
  - (c) Incompatible software or software not specifically stipulated in the product operations manual; and
  - (d) Any indirect or consequential costs associated with the incorrect use or misuse of the hardware, its connection to the internet or any other device.
6. To claim warranty service, when required, you should:
  - Contact Panasonic's Customer Care Centre on 132 600 for Service Centre information.
  - Confirm the opening and acceptance times with the Authorised Service Centre that you choose.
  - Then send or take the product to a Panasonic Authorised Service Centre together with your proof of purchase receipt.
  - Any freight and insurance costs associated with the transport of the product to and/or from your nearest Authorised Service Centre must be arranged and paid for by you.
7. The warranties hereby conferred do not extend to, and exclude, any costs associated with the installation, de-installation or re-installation of a product, including costs related to the mounting, de-mounting or remounting of any screen, (and any other ancillary activities), delivery, handling, freighting, transportation or insurance of the product or any part thereof or replacement of and do not extend to, and exclude, any damage or loss occurring by reason of, during, associated with, or related to such installation, de-installation, re-installation or transit.

Panasonic Authorised Service Centres are located in major metropolitan areas and most regional centres of Australia, however, coverage will vary dependant on product. For advice on exact Authorised Service Centre locations for your product, please telephone our Customer Care Centre on 132 600 or visit our website and use the Service Centre Locator.

In addition to your rights under this warranty, Panasonic products come with consumer guarantees that cannot be excluded under the Australian Consumer Law. If there is a major failure with the product, you can reject the product and elect to have a refund or to have the product replaced or if you wish you may elect to keep the goods and be compensated for the drop in value of the goods. You are also entitled to have the product repaired or replaced if the product fails to be of acceptable quality and the failure does not amount to a major failure.

If there is a major failure in regard to the product which cannot be remedied then you must notify us within a reasonable period by contacting the Panasonic Customer Care Centre. If the failure in the product is not a major failure then Panasonic may choose to repair or replace the product and will do so in a reasonable period of time from receiving notice from you.

**THIS WARRANTY CARD AND THE PURCHASE DOCKET (OR SIMILAR PROOF OF PURCHASE) SHOULD BE RETAINED BY THE CUSTOMER AT ALL TIMES**

If you require assistance regarding warranty conditions or any other enquiries, please visit the **Panasonic Australia** website [www.panasonic.com.au](http://www.panasonic.com.au) or contact by phone on **132 600**  
*If phoning in, please ensure you have your operating instructions available.*

## Panasonic Australia Pty. Limited

ACN 001 592 187 ABN 83 001 592 187  
 1 Innovation Road, Macquarie Park NSW 2113  
[www.panasonic.com.au](http://www.panasonic.com.au)

---

**Panasonic Corporation**  
Web Site: <http://www.panasonic.com>

© Panasonic Corporation 2019



72-TM40GS-120B1

En

**TQBJ2194**  
L0819YS1079