



### Operating Instructions

(Household use) Hair Dryer

使用說明書

(家用) 風筒

คู่มือการใช้งาน

เครื่องเป่าผม (ใช้งานภายในบ้าน)

Hướng dẫn sử dụng

(Sử dụng trong gia đình)

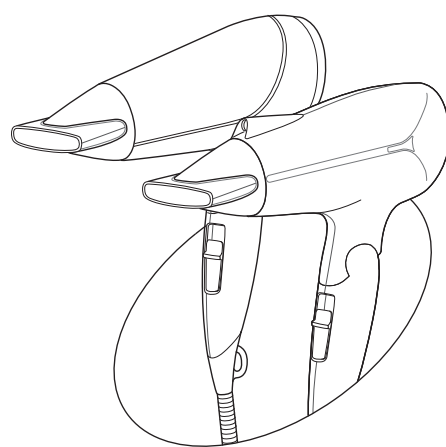
Máy sấy tóc

Model No. EH-NE66

型號 EH-NE66

หมายเลขรุ่น EH-ND65

Số mẫu máy



Thank you for purchasing this Panasonic product. Before operating this unit, please read these instructions completely and save them for future use.

感谢您购买 Panasonic 产品。使用本产品之前，请仔细阅读本说明，并妥善保存以供将来使用。

ขอขอบคุณที่ซื้อผลิตภัณฑ์ของ Panasonic สำหรับใช้งานเครื่องเป่าผมที่บ้านโดยละเอียดและเก็บรักษาคู่มือนี้ไว้เพื่อใช้งานในอนาคต

Cảm ơn bạn đã mua sản phẩm Máy sấy tóc của Panasonic. Trước khi vận hành thiết bị, xin vui lòng đọc toàn bộ hướng dẫn sử dụng và lưu lại tham khảo về sau.

Panasonic Corporation  
http://www.panasonic.com  
© Panasonic Corporation 2021-2023  
© EN, HK, TH, VN

Printed in Thailand  
EH9210ND650053 A0621-20523

## CAUTION

- ▶ To protect your hair
  - Do not use with the air inlet damaged.
    - Your hair may get tangled in the air inlet, which could damage the hair.
  - Be sure to keep a distance of over 3 cm between the air outlet and your hair.
    - Failure to do so may cause burns to the hair.
  - Be sure to keep your hair at least 10 cm away from the air inlet.
    - Your hair may get tangled in the air inlet, which could damage the hair.
- ▶ Note the following precautions
  - Do not drop or subject to shock.
    - Doing so may cause electric shock or ignition.
  - Do not use on infants.
    - Doing so may cause burn.
  - Do not touch the air outlet and concentrator nozzle which will become very hot.
    - Doing so may cause burn.
  - Do not look into the air outlet while in use.
    - The hair dryer blows air with dust, etc., possibly resulting in injury.
  - Only use for drying or styling human hair. (Do not use on pets, or to dry clothing, shoes, etc.)
    - Doing so may cause fire or burn.
- ▶ Note
  - This hair dryer is equipped with an automatic overheating protective device. If the hair dryer overheats, it will switch to cool air mode. Switch off the hair dryer and unplug it from the household outlet. Allow it to cool down for a few minutes before using it again. Check that no fluff, hair, etc. is in the air inlets and outlets before switching it on again.

## English

### 1 Safety precautions

To reduce the risk of injury, loss of life, electric shock, fire, and damage to property, always observe the following safety precautions.

#### Explanation of symbols

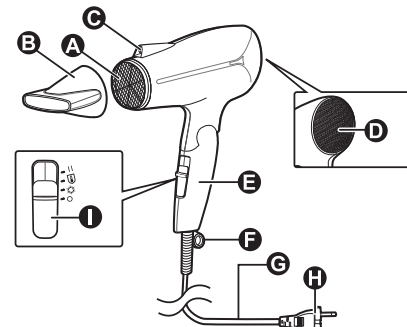
- WARNING** Denotes a potential hazard that could result in serious injury or death.
- CAUTION** Denotes a hazard that could result in minor injury or property damage.
- This symbol is used to alert users to a specific operating procedure that must not be performed.
- This symbol is used to alert users to a specific operating procedure that must be followed in order to operate the unit safely.

Some parts of the safety precaution illustrations differ from the actual product.

## WARNING

- ▶ Plug and Cord
  - Do not use with the cord bundled.
    - Doing so may cause fire or electric shock.
  - Do not damage the cord or plug.
    - Do not deface, modify, forcefully bend or pull the cord or plug. Also, do not place anything heavy on, twist or pinch the cord.
    - Doing so may cause electric shock, burn or fire due to a short circuit.
  - Do not use when the plug or cord is damaged or hot.
    - Doing so may cause burn, electric shock, or fire due to a short circuit.
  - Never use the appliance if the plug fits loosely in a household outlet.
    - Doing so may cause burn, electric shock, or fire due to a short circuit.
  - Do not connect or disconnect the plug to a household outlet with a wet hand.
    - Doing so may cause electric shock or injury.
  - Do not wrap the cord tightly around the main body when storing.
    - Doing so may cause the wire in the cord to break with the load, and may cause electric shock, burn or fire due to a short circuit.
  - Do not store or use the cord in a twisted state.
    - Doing so may cause the wire in the cord to break with the load, leading to electric shock or fire due to a short circuit.

### 2 Parts identification



- A Air outlet
- B Concentrator nozzle
- C Ion outlet **EH-NE66 only**
- D Air inlet
- E Handle
- F Ring for hanging
- G Cord
- H Plug
- I Turbo (Strong hot airflow)
- J Heat Protection
- K Strong Cool (Strong cool airflow)
- L OF

The shape of the plug differs depending on the area.

(Some instructions only use the illustrations of EH-NE66 model to explain the product.)

### 3 How to use

- Before using the hair dryer, confirm that the power switch is at position "O", then plug into a household outlet and turn on the power switch.
- Select the temperature of the airflow with the power switch, and then dry your hair.
- Set the power switch to position "O", and then remove the plug from the household outlet.

▶ Concentrator nozzle  
Focuses and concentrates airflow for precise hair styling.

### 4 About ion (EH-NE66 only)

Ions are particles that combine negatively charged oxygen and moisture in the air, and cannot be seen through the naked eye. (Ion generation method: High-voltage discharge)

- ▶ Notes
  - You may notice a specific odor when using this hair dryer. This is not harmful to the human body.
  - The effects of ion might not be felt by the following people. People with curly hair, strong curly hair, very smooth hair, short hair, or who have had a hair straightening perm in the last three or four months.

### 5 About Heat Protection

This mode provides constant and warm temperature to protect hair and scalp from heat.

## 繁體中文 (香港)

### 1 安全須知

為減低受傷、死亡、觸電、火災、及財物損失的風險，請務必留意以下安全須知。

符號說明

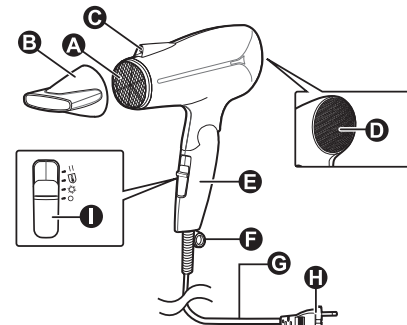
以下符號用於為危險、傷害及財物損失的級別分類和作出解釋。若忽視此等符號，不當使用本產品可能會導致所述的危險、人身傷害及財物損失。

- 警告** 表示可能會導致嚴重受傷或死亡的潛在危險。
- 注意** 表示可能會導致輕傷或財物損失的危險。
- 此符號用於提示使用者，不得執行某項特定的操作程序。
- 此符號用於提示使用者，必須遵從某項特定的操作程序，才能安全操作本產品。

## 警告

- ▶ 插頭與電源線
  - 切勿在使用時將電源線纏繞在一起。
    - 否則可能會引起火災或觸電。
  - 切勿損壞電源線或插頭。
    - 切勿損壞、改裝、用力彎曲或拉扯電源線或插頭。此外，切勿將任何重物置於電源線上，扭曲或擠壓電源線。
    - 否則可能會造成觸電、灼傷或因短路而引起火災。
  - 當插頭或電源線損壞或發熱時，切勿使用。
    - 否則可能會造成灼傷、觸電或因短路而引起火災。
  - 如插頭插在家用電源插座內有鬆動現象，切勿使用本產品。
    - 否則可能會造成灼傷、觸電或因短路而引起火災。
  - 切勿在手溫時將電源線插回家用電源插座或將其從插座中拔除。
    - 否則可能會導致觸電或受傷。
  - 儲藏時，切勿將電源線纏繞在本機主體。
    - 否則可能會令電源線內的電線因負荷而斷裂，並可能造成觸電、灼傷或因短路而引起火災。
  - 切勿在扭曲狀態下存放或使用電源線。
    - 否則可能會令電源線內的電線因負荷而斷裂，並可能造成觸電或因短路而引起火災。

### 2 零件說明



- A 出風口
- B 造型風罩
- C 負離子出口 **僅限 EH-NE66 型產品**
- D 入風口
- E 把手
- F 掛環
- G 電源線
- H 插頭
- I 增壓渦輪 (強熱風)
- J 高溫防護 (強暖風)
- K 強冷 (強冷風)
- L 關閉

電源插頭的形狀視地區而異。(一些說明書僅使用 EH-NE66 型號插頭來解釋產品。)

### 3 使用方法的

- 使用風筒前，確認電源開關位於「O」位置，然後將插頭插入家用插座並打開電源開關。
- 使用電源開關選擇吹風溫度，然後吹乾頭髮。
- 將電源開關調至「O」位置，然後從家用插座上拔除插頭。

▶ 造型風罩  
專注集中氣流以精確制定髮型。

### 4 關於負離子 (僅限 EH-NE66 型產品)

負離子是帶負電荷的氧氣與空氣中的濕氣結合所產生的分子，並且無法以肉眼看見。(負離子產生方法：高壓放電)

- ▶ 註
  - 使用風筒時可能會聞到一種特別的氣味。這對人體無害。
  - 以下髮型的人可能感覺不到負離子的效果：有波浪形的頭髮、牢固的捲髮、特別平順的頭髮、短髮，或三四個月前曾燙直過頭髮的人。

### 5 關於高溫防護

這種模式提供持續且和暖的溫度，以防止過熱的溫度對頭髮和頭皮造成傷害。

## WARNING

- ▶ Disconnect the plug by holding onto it instead of pulling on the cord.
  - Failure to do so may cause the wire in the cord to break, and may cause burn, electric shock, or fire due to a short circuit.
- ▶ Regularly clean the plug to prevent dust from accumulating.
  - Failure to do so may cause fire due to insulation failure caused by humidity. Disconnect the plug and wipe with a dry cloth.
- ▶ Always turn off the power switch and disconnect the plug from the household outlet after use.
  - Failure to do so may cause fire or burn.
- ▶ Insert the plug into the household outlet directly:
  - Do not use with an extension cord.
  - Always insert the plug.
  - Always ensure the appliance is operated on an electric power source matched to the rated voltage indicated on the appliance.
    - Failure to do so may cause fire or electric shock.
  - When the appliance is used in a bathroom, unplug it after use since the proximity of water presents a hazard even when the appliance is switched off.
    - Failure to do so may cause an accident or injury.
  - For additional protection, the installation of a residual current device (RCD) having a rated residual operating current not exceeding 30 mA is advisable in the electrical circuit supplying the bathroom. Ask your installer for advice.
    - Failure to do so may cause an accident or injury.
  - If the supply cord is damaged, it must be replaced by the manufacturer, its service agent (described in the warranty), or similarly qualified persons in order to avoid a hazard.
    - Failure to do so may cause an accident or injury.
- ▶ In case of an abnormality or malfunction
  - Immediately stop using and remove the plug if there is any abnormality or malfunction.
    - Failure to do so may cause fire, electric shock, or injury.
  - ▶ Abnormality or malfunction cases-
    - Air is not emitted
    - Unit stops sporadically
    - Interior becomes red-hot and smoke is emitted
    - The appliance is damaged or deformed, or strange noise is emitted.
    - Immediately request inspection or repair at an authorized service center.
- ▶ Maintenance
  - When you see sparks around the air outlet while using the hot air setting, stop using and remove the lint on the air outlet and air inlet.
    - Failure to do so may cause burn or fire.
  - ▶ This appliance
    - Do not block, or insert hair pins or other foreign objects into the air inlet, air outlet, or ion outlet.
      - Doing so may cause fire, electric shock, or burn.

### 6 Maintenance

Always turn the power switch off and disconnect the plug from the household outlet. (Except when performing maintenance on the air outlet)

#### Maintaining the air inlet

Clean the air inlet once a month or over.

- Clean lint, hair, or other matter from the air inlet with a toothbrush or a vacuum cleaner.

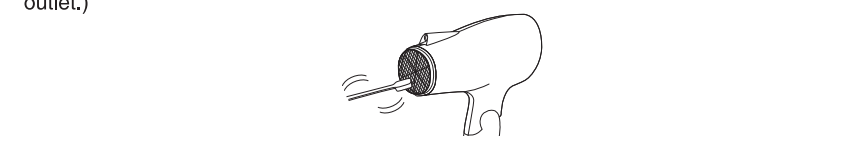
#### Maintaining the air outlet

Clean the air outlet once a month.

- Scrub to remove any dust, hair, etc. blocking the mesh.
- The hair dryer should be plugged into the household outlet only in case of maintenance for the air outlet.
- Set the power switch to "O" for using cool airflow to blow away the dust, etc., as you scrub with the toothbrush.

#### Notes

- During maintenance, do not block the air inlet with your hands, etc.
- During or after maintenance of the air outlet, dust, etc. may scatter. Ensure that the hair dryer does not blow out any dust from the air outlet before using. (Do not look into the air outlet.)



(Use a commercially available toothbrush.)

#### Maintaining the ion outlet (EH-NE66 only)

Clean the ion outlet about once every 1 month.

This maintenance allows the hair dryer to sustain the generated level of ion over a long period.

- Use commercially available cotton swabs. (We recommend the thin cotton swabs made for babies.)
- Insert the cotton swab softly until it stops (approximately 10 mm), then rotate it softly 2 or 3 times.

#### Maintaining the hair dryer

Clean the hair dryer when it gets dirty.

Clean the housing only with a soft cloth slightly dampened with tap water or soapy tap water.

#### Notes

- Do not use substances such as alcohol, nail polish remover or detergent (hand soap).
- Doing so may result in malfunction, cracks or discoloration.
- Do not leave the appliance with hairdressing products or cosmetics on it. Doing so will cause deterioration of the plastic, leading to discoloration or cracks.

## WARNING

- ▶ Do not leave the product with the power switch on.
  - Doing so may cause fire.
- ▶ Do not store the appliance in a bathroom or location with high humidity. Also, do not place in a location where water may spill (such as top of vanity).
  - Doing so may cause electric shock or fire.
- ▶ Do not keep within the reach of children.
  - Do not let them use the appliance.
    - Doing so may cause burn, electric shock, or injury.
- ▶ Do not use in proximity of flammable materials (such as alcohol, benzene, thinner, spray, hair care product, nail polish remover).
  - Doing so may cause an explosion or fire.
- ▶ Never modify, disassemble, or repair.
  - Doing so may cause ignition or injury due to abnormal operation. Contact an authorized service center for repair.
- ▶ Do not use the appliance with a wet hand.
  - Doing so may cause electric shock or fire due to a short circuit.
- ▶ This appliance is not designed for commercial use, and is not intended for use without appropriate maintenance.
  - Doing so may cause burn or fire due to a continuous load or overload.
- ▶ Do not immerse the appliance in water.
  - Do not use the appliance near water.
    - Do not use the appliance near bathtubs, showers, basins or other vessels containing water.
      - Doing so may cause electric shock or fire.

This symbol with prohibition sign in red on the appliance means "Do not use this appliance near water".

This appliance is not intended for use by persons (including children) with reduced physical, sensory or mental capabilities, or lack of experience and knowledge, unless they have been given supervision or instruction concerning use of the appliance by a person responsible for their safety. Children should be supervised to ensure that they do not play with the appliance. Failure to do so may cause an accident or injury.

### 7 Troubleshooting

Problem	Possible cause	Action
Sparks can be seen inside the product. (These sparks are caused by a protective device (thermostatic switch). They are not dangerous.)	Lint has accumulated on the air inlet or air outlet.	Remove accumulated lint.
The hot air repeatedly turns into cool air.	Hair or something is blocking the air inlet.	Do not block the air inlet.
The hot air is abnormally hot.		
The plug is abnormally hot.	The connection to the household outlet is loose.	Use a household outlet that fits securely.
Sparks are generated inside the ion outlet. (EH-NE66 only)	The needle portion in the inner part of the ion outlet is dirty.	Perform maintenance of the ion outlet.

If the problems still cannot be solved, contact the store where you purchased the unit or a service center authorized by Panasonic for repair.

### 8 Specifications

Power source	220 V~ 50 - 60 Hz	230 V~ 50 - 60 Hz	240 V~ 50 - 60 Hz
Power consumption	1700 W	1850 W	2000 W
Accessory	Concentrator nozzle		

This product is intended for household use only.

[India Only] Information on hazardous constituents as specified in sub-rule 1 of rule 16 (1) in electrical and electronic equipment.

Declaration of Conformity with the requirements of the E-Waste (Management) Amendment Rules, 2023 with the rule 16 (1) limits with respect to Lead, Mercury, Cadmium, Hexavalent chromium, Polybrominated biphenyls, Polybrominated diphenyl ethers.

The content of hazardous substance with the exemption of the applications listed in Schedule II of the E-Waste (Management) Amendment Rules, 2023:

- Lead (Pb) – not over 0.1% by weight.
- Cadmium (Cd) – not over 0.01% by weight.
- Mercury (Hg) – not over 0.1% by weight.
- Hexavalent chromium (Cr6+) – not over 0.1% by weight.
- Polybrominated biphenyls (PBBs) – not over 0.1% by weight.
- Polybrominated diphenyl ethers (PBDEs) – not over 0.1% by weight.



For the purpose of recycling to facilitate effective utilization of resources, please return this product to a nearby authorized collection center, registered dismantler/recycler, or Panasonic service center when disposing of this product. Customer care number (Toll free) : 1800 103 1333, 1800 108 1333. Please see the Panasonic website for further information on collection centers, etc. or call the customer care toll-free number. https://www.panasonic.com/in/corporate/waste-management.html

No.	Do's	Don'ts
1	All electrical and electronic products are required to be handed over only to Authorized recycler.	The product should not be opened by the user himself/herself, but only by authorized service personnel.
2	The product should be handed over only to authorized recycler for disposal.	The product is not meant for re-sale to any unauthorized agencies / scrap dealers / kabariwalas.
3	Keep the product in an isolated area, after it becomes non-functional / unreparable so as to prevent its accidental leakage.	The product is not meant for mixing into household waste stream.
4	Refer to Operating Instructions for handling of end life products.	Do not keep any replaced spare part(s) from the end life products in an exposed area.
5	Always dispose of products that have reached end life at Panasonic Life Solutions India Authorized Service Centre.	Do not donate old electronic items to anybody. Do not dispose of your product in garbage bins along with municipal waste that ultimately reaches landfill.
6	Wherever possible or as instructed, separate the packaging material according to recycling/waste disposal options and sorting for responsible.	Do not give e-waste to informal and unorganized sectors like Local Scrap Dealers / Rag Pickers.

## 注意

- ▶ 保護您的頭髮
  - 當入風口損壞時，切勿使用。
    - 您的頭髮可能會纏在入風口，這會導致頭髮受損。
  - 確保出風口與頭髮之間保持 3 cm 以上的距離。
    - 否則可能會導致頭髮灼傷。
  - 確保頭髮與入風口保持至少 10 cm 的距離。
    - 您的頭髮可能會纏在入風口，進而導致頭髮損傷。
- ▶ 請注意以下注意事項
  - 切勿讓產品或其受到損壞。
    - 否則可能會造成觸電或着火。
  - 切勿用於嬰兒。
    - 否則可能會導致灼傷。
  - 切勿接觸出風口及造型風罩，這些部位溫度非常高。
    - 否則可能會造成灼傷。
  - 使用期間切勿向出風口內看。
    - 風筒吹出的風會吹起灰塵，這樣做可能會造成受傷。
  - 請僅用於吹乾造型頭髮。(切勿用於寵物或乾衣物、烘乾等用途。)
    - 否則可能會導致火災或灼傷。
- ▶ 註
  - 這款風筒配有自動過熱保護裝置。如風筒出現過熱，將轉為冷風模式。如發生此情況，請關閉風筒並從家用插座拔出電源插頭，讓風筒冷卻數分鐘後再使用。再次開啟前，請檢查入風口及出風口是否有毛髮、頭髮等雜物。

### 6 保養

務必關閉電源開關並從家用插座拔出插頭。(保養出風口時除外)

#### 入風口的保養

每月一次或以上清潔入風口。

- 用牙刷或真空吸塵器清除入風口的棉絮、頭髮或其他東西。

#### 出風口的保養

每月一次或以上清潔出風口。

- 刷去塵埃、頭髮等阻擋網孔的物體。
- 若僅保養入風口時，才應該將風筒插入到家用電源插座。
- 將電源開關調至「O」使用冷風，以使用牙刷刷出灰塵時將其吹走。

#### 負離子出口的保養 (僅限 EH-NE66 型產品)

約每月一次清潔負離子出口。這項保養可使風筒長期保持產生負離子的水平。

- 使用市售的棉花棒。(我們建議使用嬰兒用幼身棉花棒。)
- 輕輕插入棉花棒至最深處(大約 10 毫米)，然後輕輕旋轉 2 或 3 次。

#### 保養風筒

當風筒出現污物時，請清潔風筒。僅使用棉布蘸水或肥皂水的軟布清潔外觀。

- ▶ 註
  - 切勿使用酒精、指甲油清洗劑或洗滌劑(洗手液)等物質。
  - 否則可能導致故障、出現裂縫或變色。
  - 切勿在漆產品上留下髮膠產品或化妝品。
  - 否則可能導致裂縫變質，進而導致變色或出現裂縫。

### 7 疑難排解

問題	導致故障原因	措施
產品內部可能會出現火花。(這些火花是由保護裝置(恆溫開關)引起，並不會構成危險。)	棉絮堆積在入風口或出風口。	清除堆積的棉絮。
熱風反變為冷風。	頭髮或其他東西堵塞在入風口。	切勿堵塞入風口。
熱風異常高溫。	與家用插座的連接鬆動。	請使用能穩固固定的家用插座。
在負離子出口內部產生火花。(僅限 EH-NE66 型產品)	負離子出口內側的針頭部分髒污。	▶ 請進行負離子出口保養。

如果仍然無法解決問題，請與您購買本機的商店聯繫，或聯絡 Panasonic 直屬服務站進行維修。

### 8 規格

電源	220 V~ 50 - 60 Hz	230 V~ 50 - 60 Hz	240 V~ 50 - 60 Hz
消耗電量	1700 W	1850 W	2000 W
配件	造型風罩		

此產品只適於家居內使用。



