

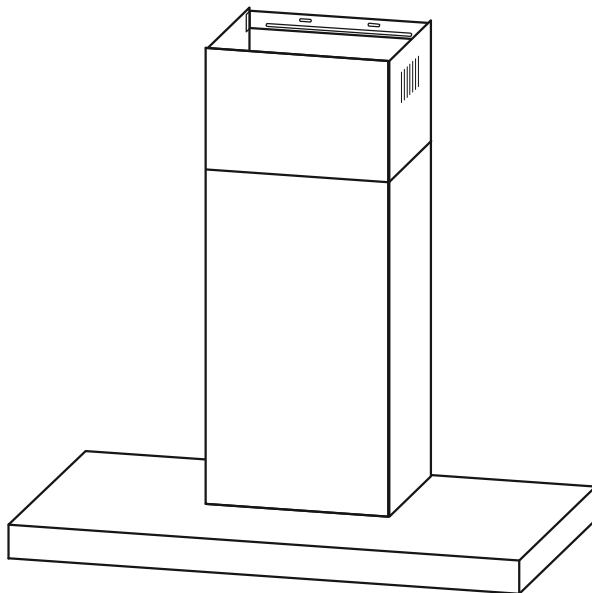
Panasonic®

Operating and Installation Instructions

RANGE HOOD

Household Use

Model No. : FV-TX9ADB
FV-TX9ADS



Thank you for purchasing this Panasonic product.

- This appliance is intended for household use only.
- Please read these instructions carefully before attempting to install, operate or service this product.
- For optimum performance and safety, please read these instructions carefully and follow safety precautions when using this product.
- This unit contains reusable materials, so please assist in proper disposal or recycling when discarding them to protect the environment.
- Before using this product **please pay extra attention to “Safety Precautions” (Page 3 - 5).**

Keep these Operating and Installation Instructions for future use.

Table of Contents

Safety Precautions	3 - 5
Precautions for Use	5
Parts Identification and Sizes	6
How to Use	7
Cleaning and Maintenance	8 - 10
Troubleshooting	11
Specifications	12
List of Accessories	13

For Installer

Installation Instructions	14 - 18
• Safety precautions for installation	14
• Introduction	14
• Checking before installation	15
• Installing the unit	16 - 18
Test Operation	19

Safety Precautions

Make sure to follow these instructions

In order to prevent accidents or injuries to the users, other people, and damage to property, please follow the instructions below.

- The following charts indicate the degree of damage caused by wrong operation.



WARNING Indicate serious injury or death.



CAUTION Indicate risk of injury or property damage.

- The symbols are classified and explained as follows.



These symbols indicate prohibition.



This symbol indicates requirement that must be followed.



This symbol indicates an action that should be performed carefully.



WARNING



- **Do not bake this product directly on the stove.**
(Accessible parts may become hot when used with cooking appliances.)
- **Do not use this product in humid places.**
(So as not to cause fires or malfunction.)
- **Do not touch the power plug with wet hands.**
(So as not to cause electric shocks.)
- **Do not insert sharp metal into any gaps in the unit.**
(So as not to touch the inside of the unit and cause electric shocks.)
- **Do not install, remove, disassemble, modify or reinstall this product by yourself.**
(So as not to cause malfunctions, fires, electric shocks or other accidents.)
- **Do not put any objects on this product.**
(So as not to cause a malfunction or injury.)
- **Do not use this product on the gas range when gas leakage may occur.**
(So as not to cause gas explosion.)
- **Do not install this product on the wall of flammable materials (such as wooden wall, etc.).**
(So as not to cause fires.)
- **The air must not be discharged into a flue that is used for exhausting fumes from appliances burning gas or other fuels.**
(So as not to cause fires.)

Safety Precautions

Make sure to follow these instructions

WARNING





- **Be sure to use a 220-240 V AC power socket separately.**
(So as not to cause fires.)
- **Be sure to remove the power plug before cleaning the product.**
(So as not to cause electric shocks.)
- **There is a fire risk if cleaning is not carried out in accordance with the instructions, the details concerning the method and frequency of cleaning, please see the instructions.**
(If the range hood is not cleaned and maintained according to the instructions specified in the manual, it may catch fire.)
- **When inserting or removing the power, hold the power plug itself instead of pulling the supply cord as you like.**
(So as not to cause fires or electric shocks.)
- **There shall be adequate ventilation of the room when the range hood is used at the same time as appliances burning gas or other fuels.**
(So as not to cause intoxication.)
- **Stop using this product immediately when oil catches fire during cooking.**
(So as not to cause fires.)
- **Stop using this product, and turn off the power switch or remove the power plug in case of any anomaly/malfunction.**
(So as not to cause fires or electric shocks.)
Examples of abnormal failures:
 - Abnormal noise or heat.
 - An unusual smell/smoke emitted.
 - Burning.
- **This product shall be installed by professionals, and it shall be installed firmly and horizontally.**
(So as not to cause injury due to falling of the product.)
- **Be careful when removing the unit to prevent it from dropping or falling accidentally.**
(So as not to cause injury due to falling of the product.)
- **It shall be grounded. Connect the power plug to a power socket with a grounding continuity terminal.**
(So as not to cause electric shocks in case of malfunction or leakage.)
- **Be sure to install this product on the wall, and make sure that the metal parts and mounting screws do not touch any metalwork in the wall, such as metal slats, cable slats and metal plates.**
(So as not to cause electric shocks.)

Safety Precautions

Make sure to follow these instructions

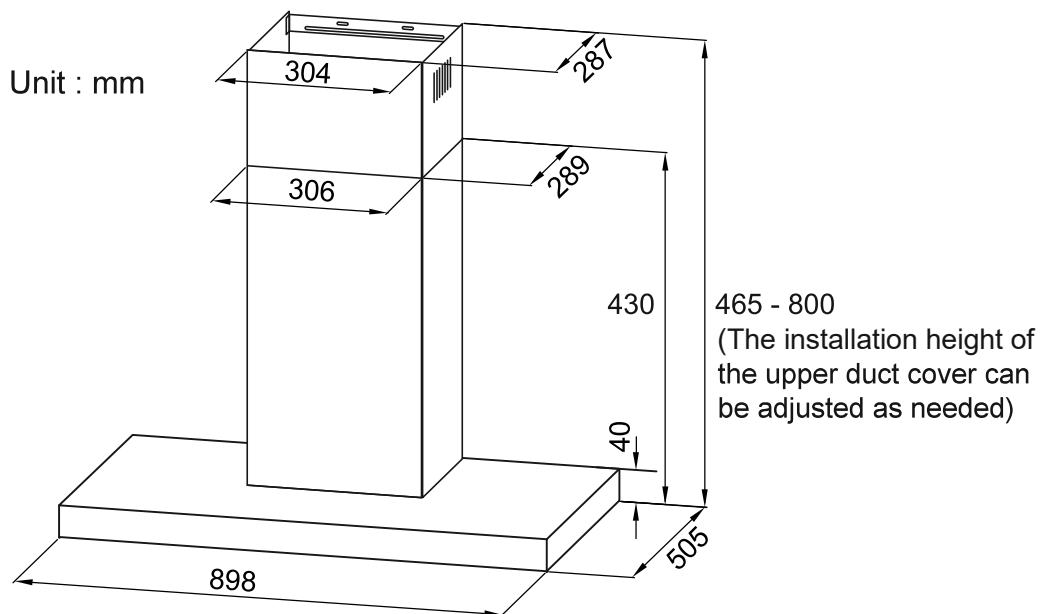
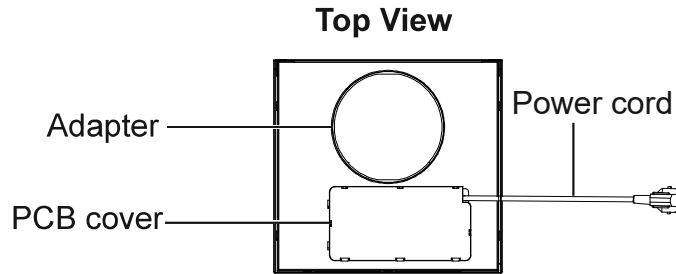
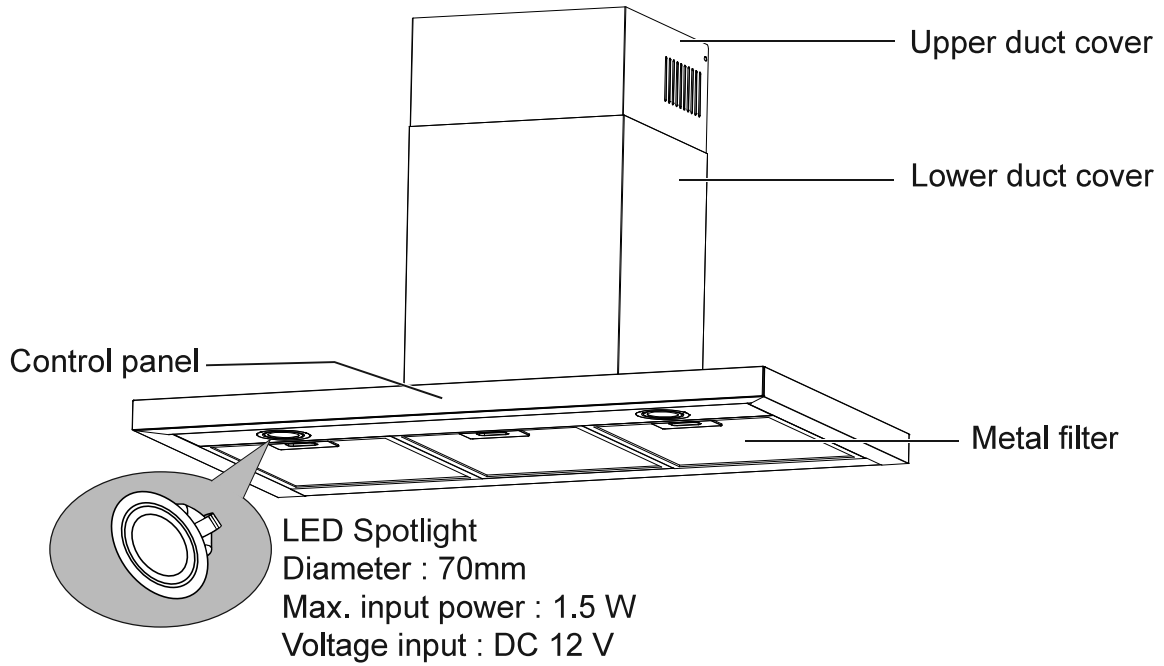
CAUTION

-  • **Do not put any objects on this product.**
(So as not to cause a malfunction or injury.)
-  • **Wear gloves when cleaning.**
(So as not to cause hand injury by the edge of the product.)
- **If the interior needs cleaning, entrust a professional to do so.**
- **The minimum distance shall be at least 650 mm between the supporting surface for the cooking vessels on the hob and the lowest part of the product.**
(So as not to cause malfunctions or burns due to high temperature of the unit.)
- **The product shall be installed on a wall that is strong enough. If installation strength cannot be ensured, reinforcement measures are a must. The wall used to support the installation of this product shall be able to bear the weight 5 times of the product.**
(So as not to cause injury due to falling of the unit.)
- **Range hood is only intended to be installed over a hob with no more than four hob elements.**
(CAUTION: Accessible parts may become hot when used with cooking appliances.)
- **When the range hood is no longer to be used, it must not be left in place but removed.**
(So as not to cause injury due to possibly falling of the unit.)
- **This appliance is not intended for use by persons (including children) with reduced physical, sensory or mental capabilities, or lack of experience and knowledge, unless they have been given supervision or instruction concerning use of the appliance by a person responsible for their safety**
- **Children should be supervised to ensure that they do not play with the appliance.**

Precautions for Use

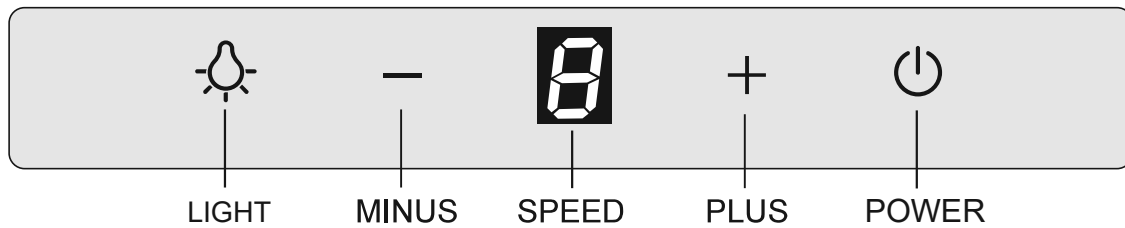
- Do not use gasoline, benzene, thinner or any other similar chemicals for cleaning.
- When using a gas range, it is suggested turning on this product.
- When using with cooking utensils at the same time, the accessible parts may become hot.
- When using steam to clean the range hood, the steam may hit the electronic components, causing damage to the components or leading to a short circuit.

Parts Identification and Sizes



How to Use


Control Panel

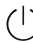


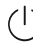
Insert the plug into the power socket. With a beep, all the keys on the control panel light up and last for about 1 second, and then go out, the unit enters standby state.

Power on/off

In standby state touch the  key to enter power-on state.



- The  key lights up. The fan runs at speed level 1 and the SPEED display shows "1".

Touch the  key when the fan is on to turn off.


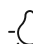
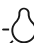

- The  key flashes, and the system starts to perform the "Power-off latency" function. The fan will stop running automatically after running at low speed for 3 minutes.

→ If you touch the  key during the latency, the current latency function will be canceled and the unit will enter the standby state.

Fan speed setting

In power-on state, touch the  or  key repeatedly to decrease or increase the fan speed. The SPEED display shows the level (level 1 - level 3).

Light on/off

In standby state or power-on state, touch the  key, the  key turns white highlight, and the light turns on; touch the  key again, the  key goes out, and the light goes out.

Cleaning and Maintenance

Constant maintenance ensures the correct operation and efficiency of the appliance over time. Special attention should be paid to the metal grease-trapping filters and the charcoal filters. Frequent cleaning of the filters and their supports will ensure that fats and grease do not accumulate on the cooker hood, with the consequent risk of fire.

Cleaning the outside of the unit

It is advised to clean the external hood surfaces at least every 15 days in order to avoid that oily or greasy substances affect the steel surfaces.

The outside of the cooker hood should be cleaned using a damp cloth and neutral liquid detergent or denatured alcohol.

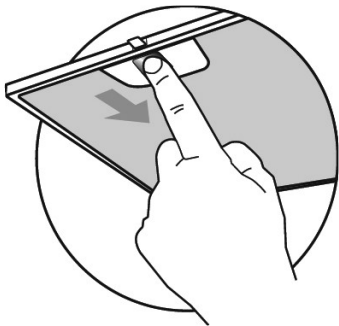
In case of fingerprint-less finish clean only with a soft cloth, rinse and wipe dry thoroughly. Do not use products that contain abrasive substances or cloths NOT specially designed for cleaning steel. Using abrasive substances or rough cloths will inevitably damage the finish of steel. The steel surface will be irrevocably damaged if the instructions above are not complied with. Keep these instructions together with the instructions for use of your hood.

Metal grease-trapping filters

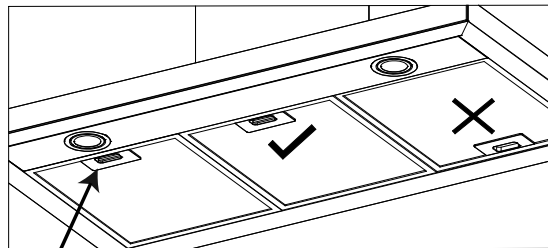
These filters trap the fat and grease particles suspended in the air, and therefore should be washed every month in hot water and detergent, without bending them. Wait until they are completely dry before repositioning them.

To remove and replace these filters:

Push the filter by the handle towards the back side of the hood unit and simultaneously pulling downwards. When cleaning is completed, insert the tabs at the backside of the filter into the holes first, then push the filter fitting into the buckle.



To remove metal filters

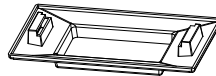


When installing the metal filters, make sure the plastic clips face forward.

Note:

- The color of the filter surface may change throughout the time but this has no influence to the filter efficiency.

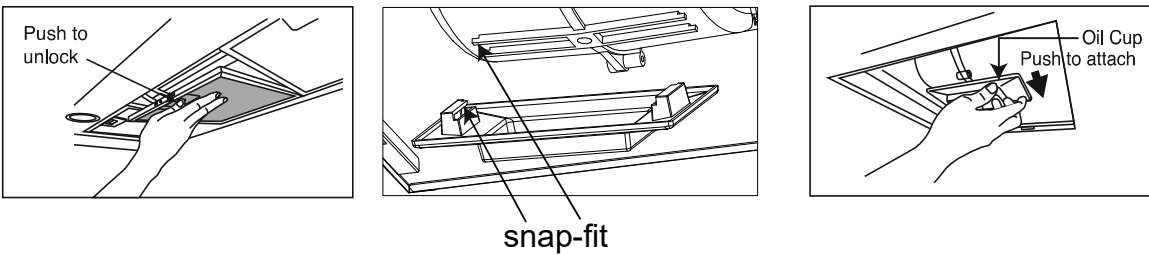
Description of oil cup



Oil Cup

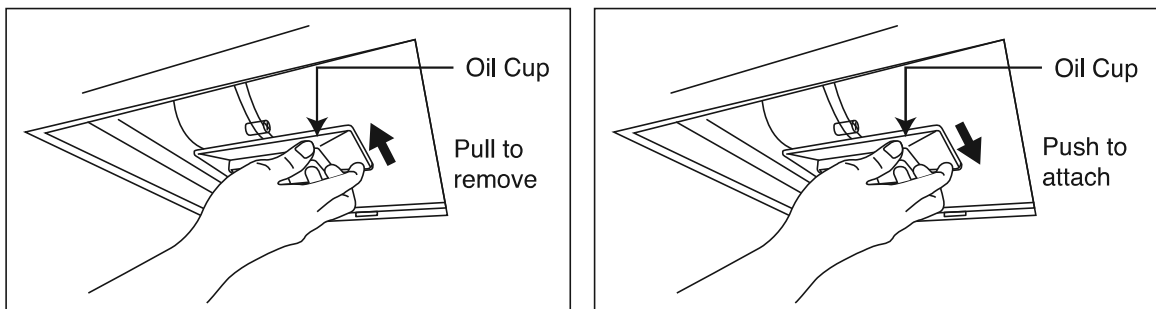
Oil cup installation

1. Remove the filter by pressing the lock
2. Insert the oil cup below the fan assembly, when installing, please ensure that the snap-fit of the oil cup is aligned with the snap-fit of the fan assembly installation. Insert the oil cup by sliding the oil cup inward.



Oil Cup Cleaning

1. Remove the Oil Cup by sliding the Oil Cup as figure below.
2. Clean the Oil Cup by soaking the Oil Cup in warm water (40°C-50°C) with diluted neutral detergent for 5-10 minutes, wash it with a toothbrush to remove dirt.
3. Dry the Oil Cup and fix it back to the appliance.



Charcoal filters

These filters trap the odours present in the stream of air that passes through them. The air is purified by passing a number of times through the filters and being recirculated into the kitchen. The charcoal filters cannot be cleaned, and should be replaced on average every 3-4 months (according to use).

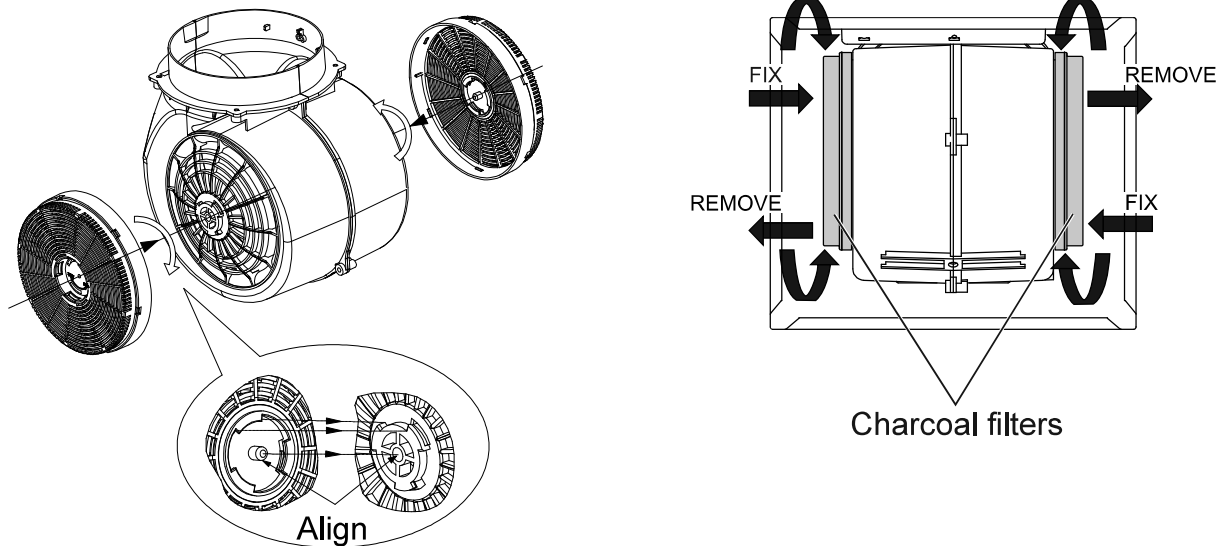
To install the charcoal filters:

Align the positioning post with the corresponding hole, rotate the charcoal filter until the locking mechanism engages with the base, then rotate the charcoal filter in the indicated direction to lock the charcoal filter.

To replace the charcoal filters:

Remove the metal filters (as described on page 8). Now the motor compartment can be accessed and it is possible to proceed with the assembly/disassembly of the charcoal filters as illustrated in the below figure.

To order new charcoal filters, contact your distributor/dealer.



WARNING

Do not use abrasive products. All the above operations must be performed after having disconnected the unit from the mains power supply. There is a fire risk if cleaning is not carried out in accordance with the instructions.

Troubleshooting

Before requesting service, make the following checks. If you are in doubt about some of the check points, or if the solutions indicated do not solve the problem, consult your dealer for instructions.

Symptom	Possible causes	Solutions
The light is not lit and the motor does not work	<ol style="list-style-type: none"> 1. The power plug is not inserted into the power socket. 2. The product wire fails. 	<ol style="list-style-type: none"> 1. Insert it into the power socket. 2. Contact the Customer Consulting Service Center.
The motor does not work	The motor or capacitor fails.	Contact the Customer Consulting Service Center.
The light is not lit	<ol style="list-style-type: none"> 1. The light wire or connection fails. 2. The light circuit board fails. 3. The LED Spotlight fails. 	Contact the Customer Consulting Service Center.
Abnormal noise	The smoke duct is loose or excessively bent, causing poor air flow.	Contact the Customer Consulting Service Center for reinstalling of the smoke duct.
Oil fume absorption is not effective	<ol style="list-style-type: none"> 1. The smoke duct is loose or excessively bent, causing poor air flow. 2. The range hood is not set at the highest fan speed. 3. Oil fume is blown off or blown away due to high air volume in the kitchen. 4. The distance between the cooking stove and the range hood is too far. 	<ol style="list-style-type: none"> 1. Contact the Customer Consulting Service Center for reinstalling of the smoke duct. 2. Set to the highest fan speed. 3. Keep the windows or door closed in a proper way. 4. Reinstall the range hood with reduced distance from cooking stove.
Oil leakage	The filters are dirty.	Clean the filters.
An abnormal sound is heard when the fan rotor works	The fan rotor is loose, and the fan rotor cap is not tightened.	Contact the Customer Consulting Service Center.
Touch keys do not work properly	The control switch fails.	Contact the Customer Consulting Service Center.

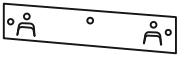





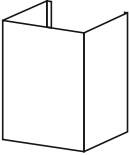
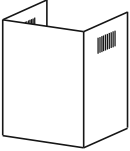


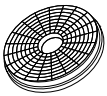
Specifications

Rated voltage	220V - 240 V ~
Rated frequency	50/60 Hz
Rated total input power	293 W
Rated input power of main motor	290 W
Max. input power of LED spotlight	1.5 W × 2
Number of fans	Single fan
Air volume (IEC standard)	800 m ³ /h
Air volume (unrestrained)	1450 m ³ /h
Max. static pressure	480 Pa
Airborne acoustical noise	72 dB(A)
Net weight	Approx. 14 kg
Outer diameter of smoke duct	Φ156 mm
Dimension L × W × H	898 × 505 × 430 mm (800 mm with the upper duct cover)

Note:

- The data of air volume and electrical properties are values at a static pressure of 0 Pa.
- Noise: A-weighted sound power level with a tolerance of +3 dB.
- Air volume, max. static pressure: the allowable difference between the actual measured value and the indicated value shall not exceed -10% of the indicated value.
- The parameters above are subject to change without notice.

List of Accessories

No.	Appearance	Name and usage	Quantity
1		Hood fixing bracket	1
2		Duct cover fixing bracket	2
3		Plastic expansion tubes	7
4		Screw (Φ5 x 50)	7
5		Screw (ST4.2 x 9.5)	6
6		Operation/ Installation Instructions	1
7		Lower duct cover	1
8		Upper duct cover	1
9		Smoke duct (with aluminum foil tape)	1
10		Oil Cup	1
11		Charcoal filter	2

Installation Instructions

For installer

Safety precautions for installation

Please read these precautions fully



WARNING

Failure to follow these instructions may cause a risk of personal injury or death.

- The distance between the hob and the lowest part of the kitchen cooker hood cannot be smaller than $X=65$ cm. Should the instructions of the gas hob specify a greater distance, take this into consideration.
- In the outside suction version, the diameter of the fume discharge duct must be no smaller than the cooker hood connection. We recommend using pipes with 150 mm diameter. If using pipes with 120 mm diameter, install attached the duct adapter to the discharge hole of the cooker hood.
- In the horizontal sections, the duct must slope slightly (around 10%) upwards, so as to better convey the air outside of the room. The duct must be installed not to bend it in the immediate vicinity of the discharge hole. Otherwise, the return valve will get stuck with the duct, and will not work for the exhaust properly. Reduce curves to the bare minimum, and check that the length of the ducts is also the bare minimum.
- Comply with the current regulations on air discharge into the atmosphere.
- If other appliances that use gas or other fuels are being used at the same time (boiler, stove, fireplaces, etc.), make sure the room where the fumes are extracted is well ventilated, in compliance with the current regulations.
- When screwing or installing metallic parts to the wall which metal lath, wire lath or metal plate is lined, do not let them come in contact with metal part. Otherwise, it may cause electric leakages or fires.

Introduction

Hood version with external exhaust

In this version the kitchen fumes and vapours are conveyed outside through an exhaust pipe. The exhaust conveyor that protrudes from the upper part of the hood must be connected with the pipe that conducts the fumes and vapours in an external output.

In this version, charcoal filters supplied on the hoods must be removed.

When the kitchen hood is used simultaneously with other appliances that use gas or other fuels, the room must have sufficient ventilation according to the standards in force.

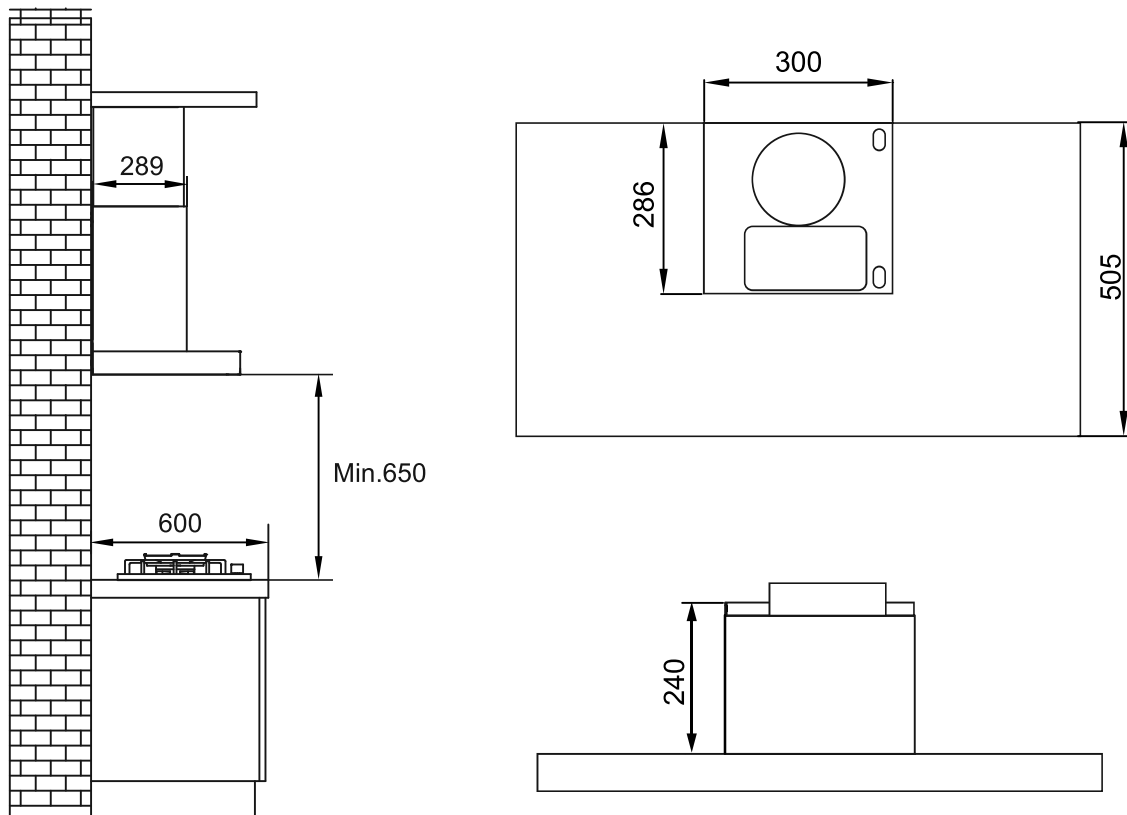
Hood version with internal recirculation (filtering)

In this version, the area passes through the charcoal filters to be purified and is then introduced into the kitchen environment.

Checking before installation

Suggested installation of the range hood is as shown in the figure below:

Unit : mm



Tools required:

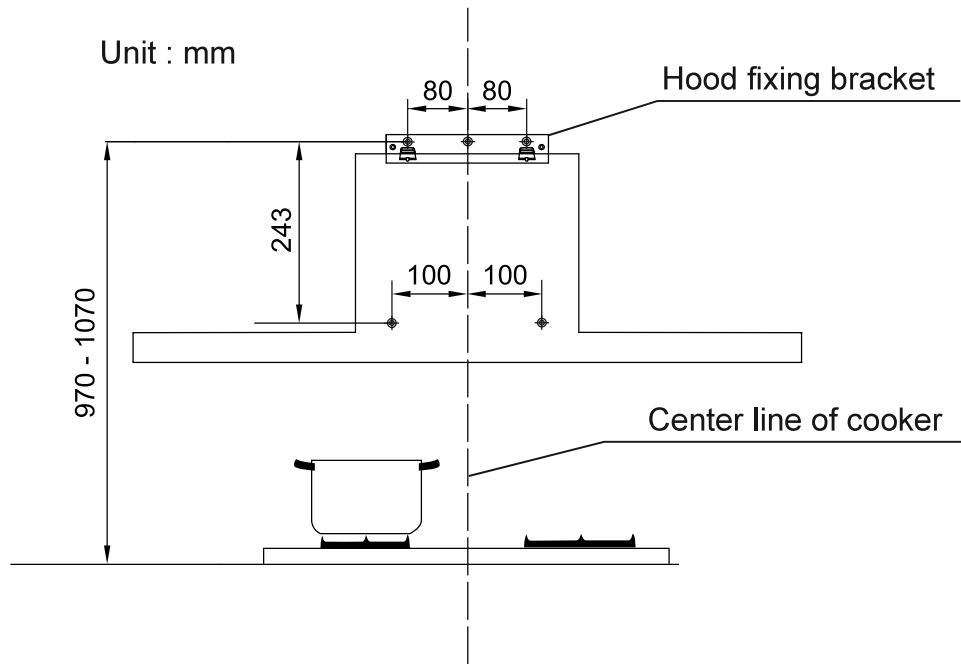
- a. Electric drill
- b. 10 mm drill bit
- c. Screwdriver
- d. Hammer
- e. Tape measure or steel ruler
- f. Spirit level

Note:

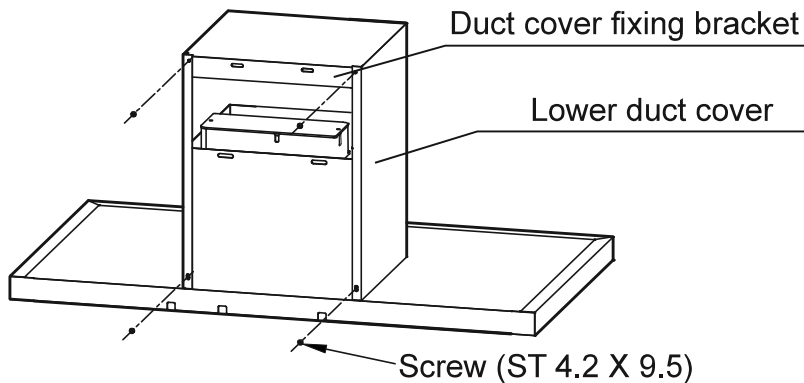
- This product may have sharp edges. Do wear gloves when installing.
- The range hood shall be aligned with the center of cooking stove.
- This installation height is only applicable to electric stove, if installed above the gas stove, the installation height should be in accordance with the installation height requirements of gas stove.
- Do not install it in the place exposed to direct sunlight.
- Ensure that the gas can be discharged to outside or common flue through smoke duct.

Installing the unit

1. According to below figure (Drilling diagram for installation), use an electric impact drill to make 5 holes with a diameter of 10 mm and a depth of 50 mm at the corresponding positions on the wall where the range hood is installed, embed the plastic expansion tubes, and use 3 screws ($\Phi 5 \times 50$) to fix the hood fixing bracket to the wall.



2. Fix the lower duct cover to the hood body with 2 screws (ST 4.2 X 9.5). Fix the duct cover fixing bracket to the lower duct cover with 2 screws (ST 4.2 X 9.5).



3. Tear off the protective film from the lower duct cover, and securely attach the unit to the hood fixing bracket with the unit inclined 1° or 2° to the wall, so that the hooks of the hood fixing bracket are fully inserted. Remove the filter from the inside of the hood body, fix 2 screws (Φ5 X 50) to the plastic expansion tubes.

Note:

- After installation, make sure that the range hood is not shaking or detached, and try to ensure that it is in a horizontal state.

4. For external exhaust mode:

Fix the smoke duct on the valve on the hood body. Stretch the smoke duct, extend it into the wall opening or connect it to the common flue securely, and adjust the smoke duct to ensure that it is not bulging or compressed, and it bends freely. If the smoke duct is extended directly into the common flue, it shall not go too deep into the common flue, so as not to affect exhaust effect; if oil fume is exhausted directly to the outside, it is suggested that a shutter (available in hardware stores) be attached at the end of the outdoor smoke duct.

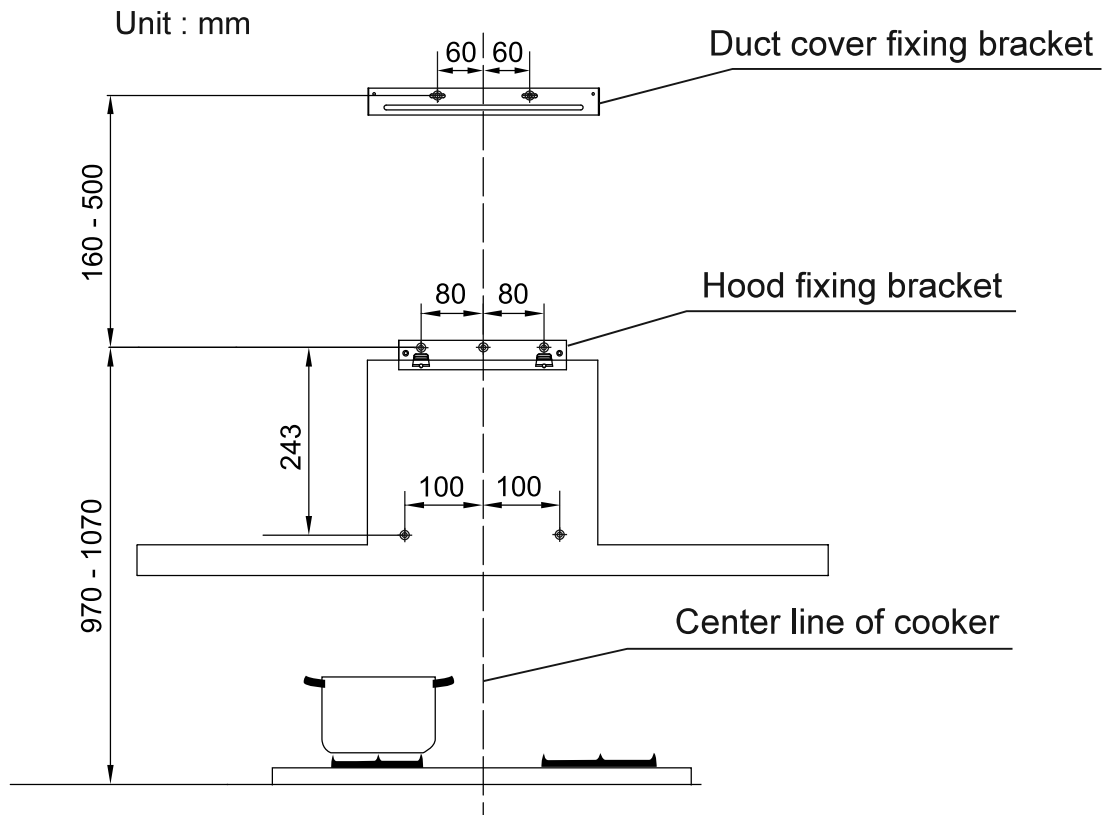
For internal recirculation mode:

Assemble the charcoal filters as shown in page 10.

5. Insert the power plug into the socket securely. The power socket shall be a special one with a reliable grounding wire. Do not change the plug without permission.

Installing the upper duct cover

1. If it is necessary to install the upper duct cover, determine the fixing hole positions of the upper duct cover fixing bracket according to below figure.
2. Use an electric impact drill to make 2 holes with a diameter of 10 mm and a depth of 50 mm at the corresponding positions on the wall, embed the plastic expansion tubes, and use 2 screws ($\Phi 5 \times 50$) to fix the duct cover fixing bracket on the wall.
3. Insert the upper duct cover into the lower duct cover, adjust the height of the upper duct cover so that the holes on both sides of the upper duct cover are aligned with the anchor holes in the bracket, and secure it in place with 2 screws (ST 4.2 X 9.5). After installation, tear off the protective film from the upper duct cover.
(Caution: Be careful when inserting the upper duct cover, and pay attention to sharp edges around the product to avoid being cut.)



Test Operation

After installation, turn on the power, press each function key on the control panel, and check the following items:

- Do the fan blades rotate properly?
- Is there any abnormal vibration or noise?
- Is each function key on the control panel working properly?

Panasonic Corporation

Website: <http://www.panasonic.com>

Printed in China

© **Panasonic Corporation 2026**

v1.0

16173000A29676