

1. Product Name
Circuit Breaker
2. Type
BD-63AA (MCB 4.5kA)
3. Rating

Item Code Number	Rated Current	Type Instantaneous	Number of Poles and Elements	Rated Voltage & Breaking capacity	Frequency
BBD1061BSTB	6A	B	1P1E	AC 240V 4500A	50/60 Hz
BBD1081BSTB	8A				
BBD1101BSTB	10A				
BBD1131BSTB	13A				
BBD1161BSTB	16A				
BBD1201BSTB	20A				
BBD1251BSTB	25A				
BBD1321BSTB	32A				
BBD1401BSTB	40A				
BBD1501BSTB	50A				
BBD1631BSTB	63A				
BBD1061CSTB	6A				
BBD1081CSTB	8A				
BBD1101CSTB	10A				
BBD1131CSTB	13A				
BBD1161CSTB	16A				
BBD1201CSTB	20A				
BBD1251CSTB	25A				
BBD1321CSTB	32A				
BBD1401CSTB	40A				
BBD1501CSTB	50A				
BBD1631CSTB	63A				
BBD1061DSTB	6A	D			
BBD1081DSTB	8A				
BBD1101DSTB	10A				
BBD1131DSTB	13A				
BBD1161DSTB	16A				
BBD1201DSTB	20A				
BBD1251DSTB	25A				
BBD1321DSTB	32A				
BBD1401DSTB	40A				
BBD1501DSTB	50A				
BBD1631DSTB	63A				

Catalog No.

BBD1061BSTB

Name

BD-63AA (MCB 4.5kA)

Date

2021.06.01

Panasonic Eco Solutions Electrical

Drawn by

Evaluated by

Construction Materials Taiwan Co., Ltd.

Checked by

Approved by

Item Code Number	Rated Current	Type Instantaneous	Number of Poles and Elements	Rated Voltage & Breaking capacity	Frequency
▽ BBD2062BSTB	6A	B	2P2E	AC 415V 4500A	50/60 Hz
▽ BBD2082BSTB	8A				
▽ BBD2102BSTB	10A				
▽ BBD2132BSTB	13A				
▽ BBD2162BSTB	16A				
▽ BBD2202BSTB	20A				
▽ BBD2252BSTB	25A				
▽ BBD2322BSTB	32A				
▽ BBD2402BSTB	40A				
▽ BBD2502BSTB	50A				
▽ BBD2632BSTB	63A				
▽ BBD2062CSTB	6A	C			
▽ BBD2082CSTB	8A				
▽ BBD2102CSTB	10A				
▽ BBD2132CSTB	13A				
▽ BBD2162CSTB	16A				
▽ BBD2202CSTB	20A				
▽ BBD2252CSTB	25A				
▽ BBD2322CSTB	32A				
▽ BBD2402CSTB	40A				
▽ BBD2502CSTB	50A				
▽ BBD2632CSTB	63A				
▽ BBD2062DSTB	6A	D			
▽ BBD2082DSTB	8A				
▽ BBD2102DSTB	10A				
▽ BBD2132DSTB	13A				
▽ BBD2162DSTB	16A				
▽ BBD2202DSTB	20A				
▽ BBD2252DSTB	25A				
▽ BBD2322DSTB	32A				
▽ BBD2402DSTB	40A				
▽ BBD2502DSTB	50A				
▽ BBD2632DSTB	63A				

Item Code Number	Rated Current	Type Instantaneous	Number of Poles and Elements	Rated Voltage & Breaking capacity	Frequency
✓ BBD3063BSTB	6A	B	3P3E	AC 415V 4500A	50/60 Hz
✓ BBD3083BSTB	8A				
✓ BBD3103BSTB	10A				
✓ BBD3133BSTB	13A				
✓ BBD3163BSTB	16A				
✓ BBD3203BSTB	20A				
✓ BBD3253BSTB	25A				
✓ BBD3323BSTB	32A				
✓ BBD3403BSTB	40A				
✓ BBD3503BSTB	50A				
✓ BBD3633BSTB	63A				
✓ BBD3063CSTB	6A	C			
✓ BBD3083CSTB	8A				
✓ BBD3103CSTB	10A				
✓ BBD3133CSTB	13A				
✓ BBD3163CSTB	16A				
✓ BBD3203CSTB	20A				
✓ BBD3253CSTB	25A				
✓ BBD3323CSTB	32A				
✓ BBD3403CSTB	40A				
✓ BBD3503CSTB	50A				
✓ BBD3633CSTB	63A				
✓ BBD3063DSTB	6A	D			
✓ BBD3083DSTB	8A				
✓ BBD3103DSTB	10A				
✓ BBD3133DSTB	13A				
✓ BBD3163DSTB	16A				
✓ BBD3203DSTB	20A				
✓ BBD3253DSTB	25A				
✓ BBD3323DSTB	32A				
✓ BBD3403DSTB	40A				
✓ BBD3503DSTB	50A				
✓ BBD3633DSTB	63A				

Item Code Number	Rated Current	Type Instantaneous	Number of Poles and Elements	Rated Voltage & Breaking capacity	Frequency
✓ BBD4064BSTB	6A	B	4P4E	AC 415V 4500A	50/60 Hz
✓ BBD4084BSTB	8A				
✓ BBD4104BSTB	10A				
✓ BBD4134BSTB	13A				
✓ BBD4164BSTB	16A				
✓ BBD4204BSTB	20A				
✓ BBD4254BSTB	25A				
✓ BBD4324BSTB	32A				
✓ BBD4404BSTB	40A				
✓ BBD4504BSTB	50A				
✓ BBD4634BSTB	63A				
✓ BBD4064CSTB	6A	C			
✓ BBD4084CSTB	8A				
✓ BBD4104CSTB	10A				
✓ BBD4134CSTB	13A				
✓ BBD4164CSTB	16A				
✓ BBD4204CSTB	20A				
✓ BBD4254CSTB	25A				
✓ BBD4324CSTB	32A				
✓ BBD4404CSTB	40A				
✓ BBD4504CSTB	50A				
✓ BBD4634CSTB	63A				
✓ BBD4064DSTB	6A	D			
✓ BBD4084DSTB	8A				
✓ BBD4104DSTB	10A				
✓ BBD4134DSTB	13A				
✓ BBD4164DSTB	16A				
✓ BBD4204DSTB	20A				
✓ BBD4254DSTB	25A				
✓ BBD4324DSTB	32A				
✓ BBD4404DSTB	40A				
✓ BBD4504DSTB	50A				
✓ BBD4634DSTB	63A				

Tripping Mechanism	Thermal & Magnetic Type
Normal Ambient Temperature	30°C

4. Applicable Standard
IEC60898

5. Material

Body	Polyamide Resin
Cover	Polyamide Resin
Handle	Polyamide Resin

6. Dimensions
Refer to Annexed page

7. Operating Characteristic
Refer to Annexed page

8. Performance

8.1 Time-current operating characteristics

Test	Type	Test current	Initial condition	Time limits of tripping or non-tripping	Result to be obtained
a	B,C,D	1.13I _n	Cold	$t \geq 1 \text{ h}$	No tripping
b	B,C,D	1.45I _n	Immediately following test a	$t < 1 \text{ h}$	Tripping
c	B,C,D	2.55I _n	Cold	1 < t < 60 s (I _n ≤ 32A) 1 < t < 120 s (I _n > 32A)	Tripping
d	B C D	3I _n 5I _n 10I _n	Cold	$t \leq 0.1 \text{ s}$	No tripping
e	B C D	5I _n 10I _n 50I _n	Cold	$t < 0.1 \text{ s}$	Tripping

In: Rated Current

8.2 Temperature Rise

Parts	Temperature Rise Limit
Terminals for external connections	60°C
External parts liable to retouched during manual operation of the circuit-breaker, including operating means of insulating material and metallic means coupling insulated operating means of several poles	40°C
Other external parts, including that face of the circuit-breaker in direct contact with the mounting surface	60°C

8.3 Mechanical & Electrical Endurance

	Test Voltage	Test current	Number of Operating cycles
Rated Load	1P: AC240V OTHER: AC415V	In	With In 4,000 Without In 10,000

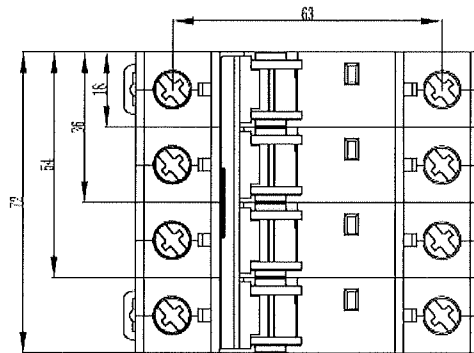
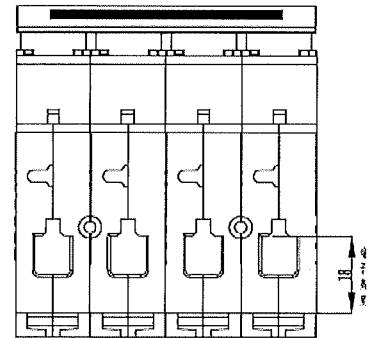
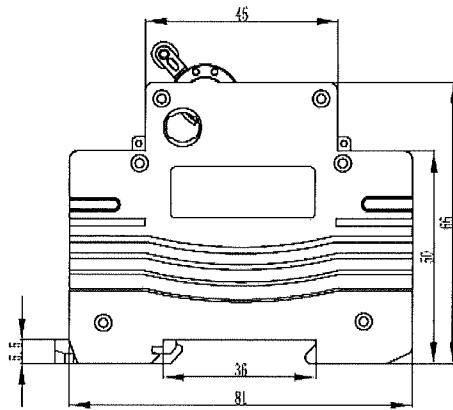
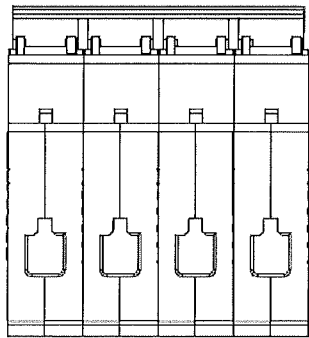
In: Rated Current

8.4 Dielectric Strength
2000V 1min8.5 Short Circuit Breaking Performance
Refer to item 3.Rating9. Normal Conditions for Operation in Service

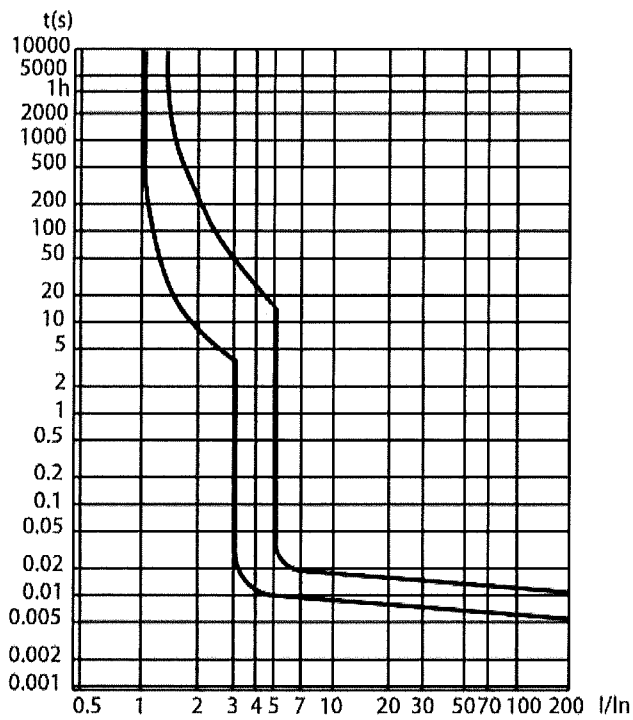
Ambient Temperature -5°C ~ +40°C

Relative Humidity not exceeding 50% at 40°C (90% at 20°C)

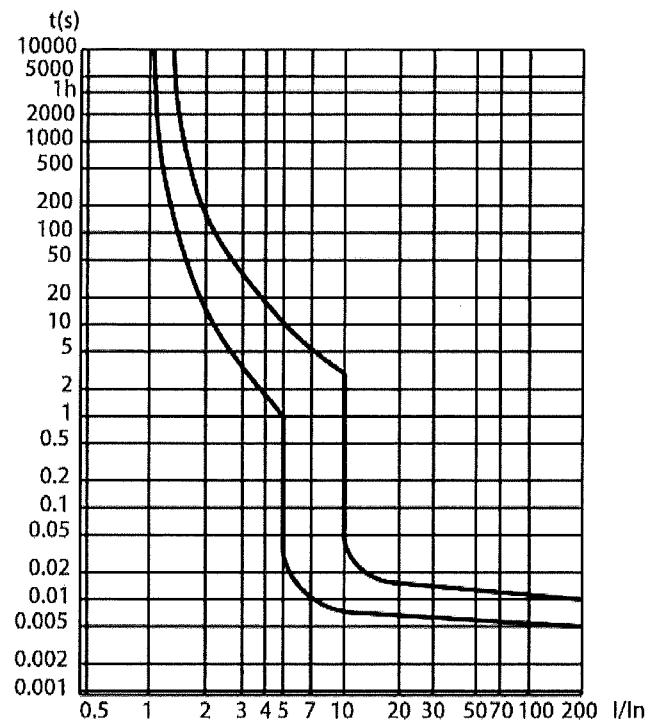
Altitude not exceeding 2000m



B Type



C Type



D Type

