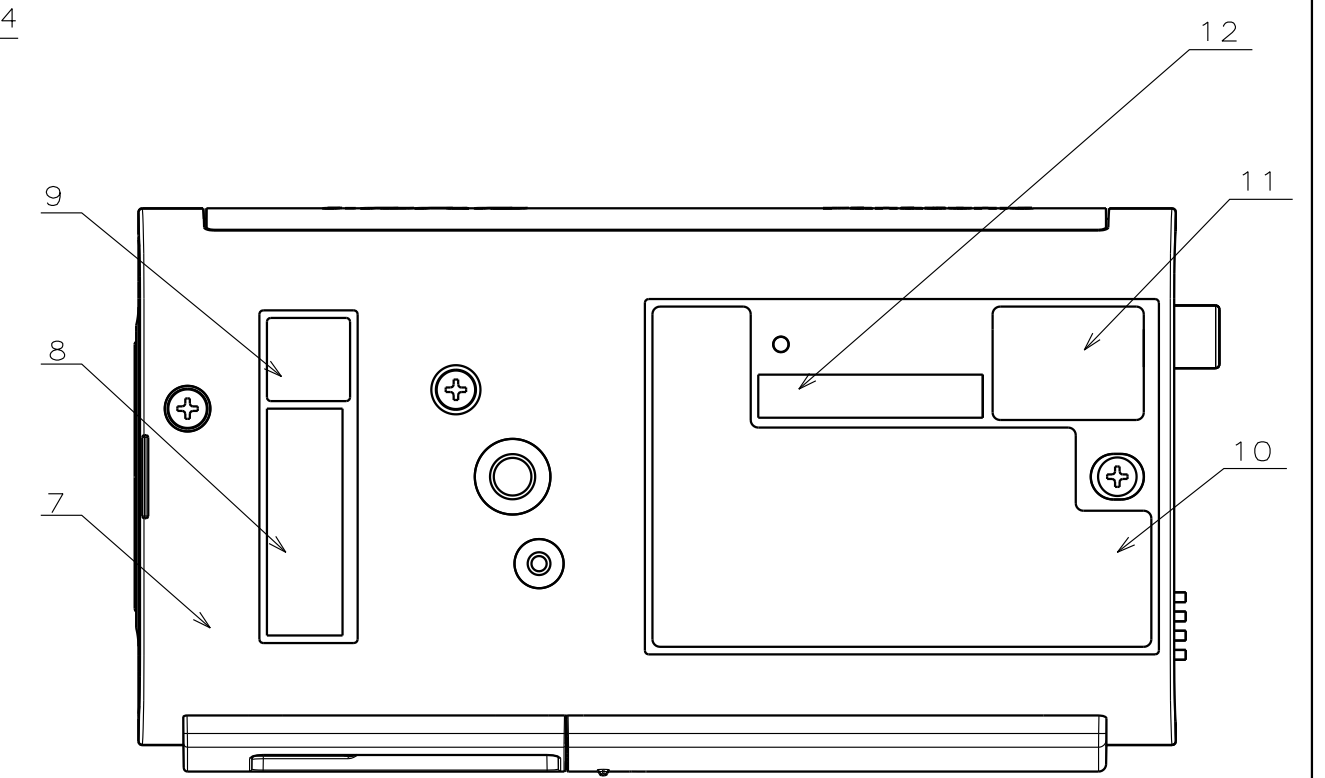
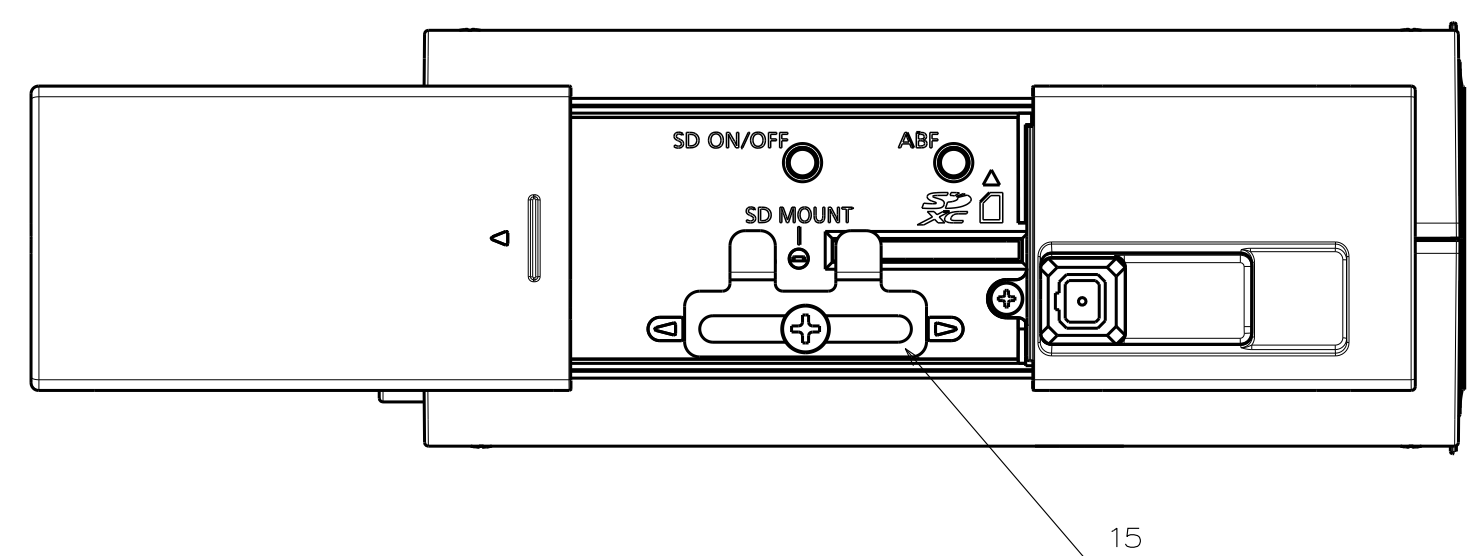
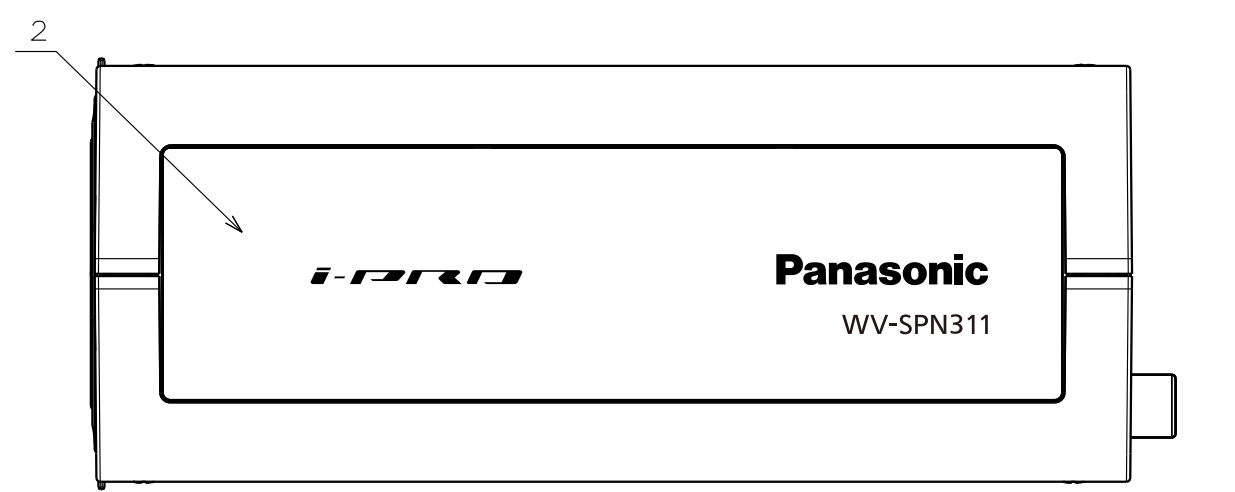
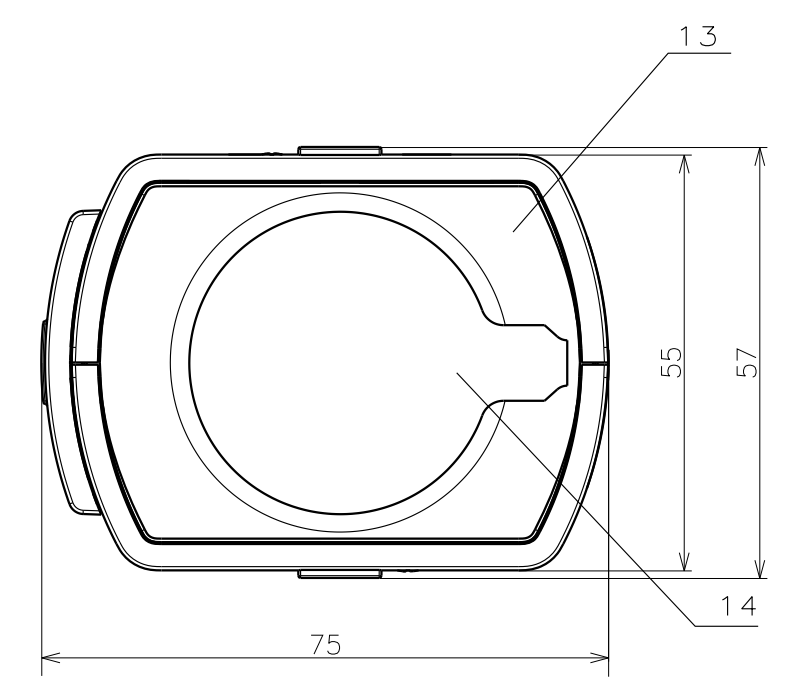
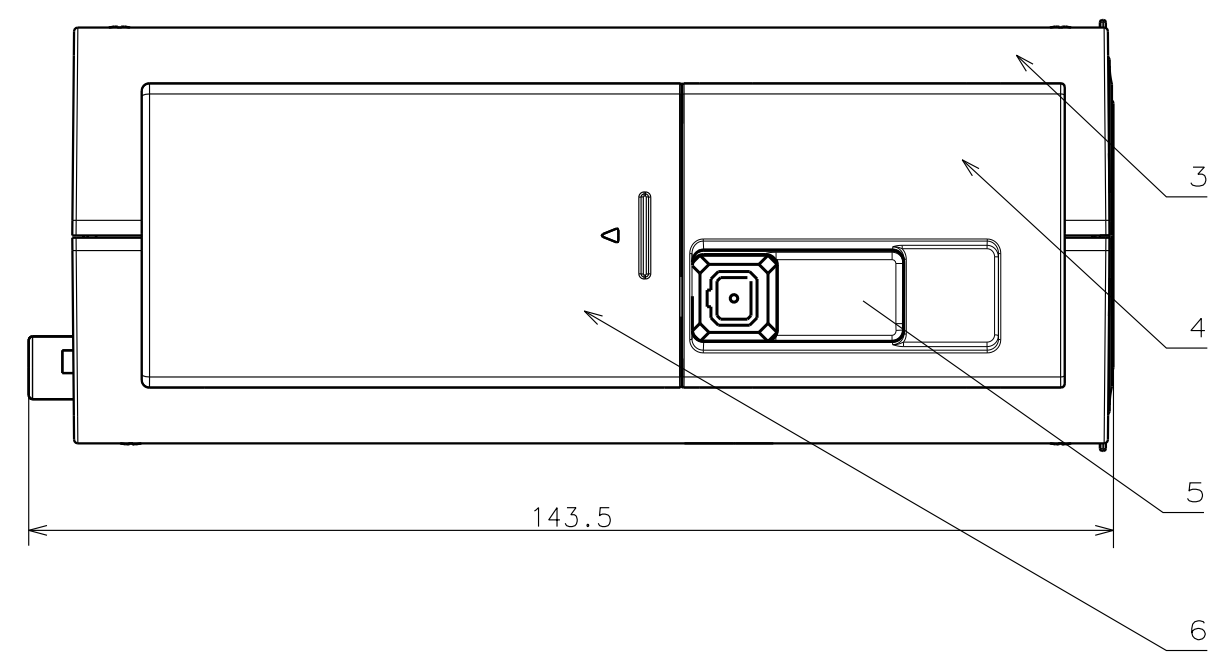
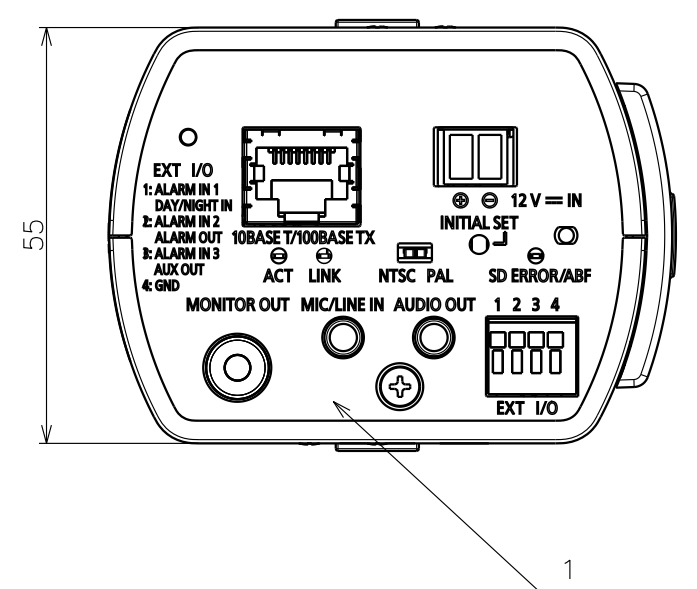
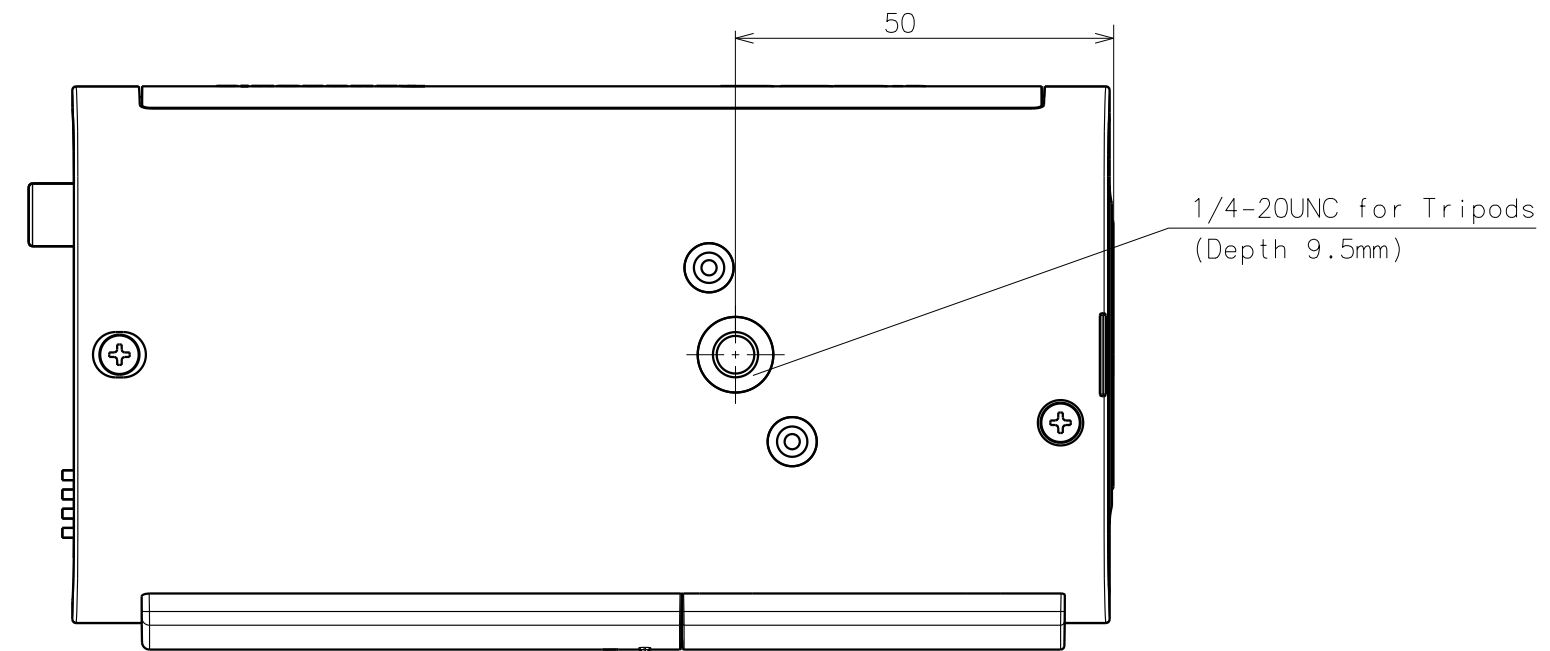


SYM.	DATE	REVISION	SIGNED	CHECKED
△				
△				
△				

NO.1	Name	Material	Processing
1	Rear Cover	PC	Printing
2	Side Cover(L)	ABS+PC	Printing
3	Upper Cover	ABS+PC	
4	CNT Cover	ABS+PC	
5	Side Cover(R)	ABS+PC	
6	SD Cover	ABS+PC	
7	Lower Cover	ABS+PC	
8	Code Label		Printing
9	Data Matrix Label		Printing
10	Name Plate		Printing
11	Product Year Label		Printing
12	Serial No. Label		Printing
13	Front Cover	ABS	
14	Mount Label		
15	SD CARD Lock Plate	Aluminium Plate	



WV-SPN311

Unit:mm