

Panasonic®

Model No.
型號
No. Model
Số Model

MC-SB33J



Operating Instructions

**Rechargeable Vacuum
Cleaner**
(Domestic use)

使用説明書

充電式吸塵機
(家用型)

Arahan Pengendalian

**Pembersih Vakum Boleh
Dicas Semula**
(Penggunaan domestik)

Hướng dẫn Sử dụng

Máy hút bụi không dây
(Sử dụng trong gia đình)



ENGLISH	EN
正體	HK
BAHASA MELAYU	MA
TIẾNG VIỆT	VI

Operating Instructions

Rechargeable Vacuum Cleaner (Domestic use)

Model No. **MC-SB33J**

Thank you for purchasing this Panasonic product.

- Please read these instructions carefully before using this product, and save this operating instructions for future use.
- Please read the "Safety precautions" (Pages EN4 to EN5) carefully before using the product.
- Photos, illustrations, colors, etc. used are used for explanation purposes and may slightly vary from the actual product.




 : This symbol means indoor use only.
This appliance contains battery that is only replaceable by skilled persons.

Table of Contents

EN4	Safety Precautions
EN6	Notes on Use
EN6	Part Names
EN8	Charging
EN10	Vacuuming
EN12	Empty the dust box
EN12	Maintenance
EN16	Troubleshooting
EN19	Product Disposal
EN20	Specifications

Safety Precautions

Please observe all instructions

This section describes the safety precautions that must be observed in order to prevent personal injury and/or property damage.


■ The levels of danger and damage that may result when the device is used incorrectly are classified and indicated as shown below.


 **DANGER** Indicates high risk of serious injury or death.

 **WARNING** Indicates risk of serious injury or death.

 **CAUTION** Indicates risk of injury or property damage.

■ The following symbols indicate what you must observe.

 Indicates actions which are prohibited.

 Indicates actions which must be enforced.

DANGER

■ Battery (Rechargeable lithium ion battery)



Do not mishandle

- Do not use for other than MC-SB33J
- Do not use batteries or adapters other than genuine rechargeable lithium-ion batteries and charging adapters
(Overcurrent may cause fluid leakage, overheating or explosion)
- Do not dispose of the battery in a fire or expose it to heat
- Do not charge, use or place in places with high temperatures, including near fire or in hot weather
(Danger of fluid leakage, overheating, ignition or explosion)
- Do not pierce with nails or subject to shock. Do not disassemble or alter
- Do not expose to water or other liquids
(Danger of fluid leakage, overheating, ignition or electric shock)
- Do not short-circuit by allowing metals or other materials to come into contact with the terminals
- Do not transport or store with metal objects such as necklaces or hairpins
(Short-circuit may cause fluid leakage, overheating or ignition)

■ Main unit and accessories

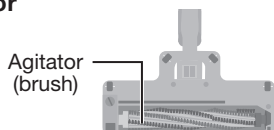


Do not disassemble, repair or modify

(Danger of electric shock or fire)



Do not touch the floor nozzle's agitator



(There is a risk of getting your fingers caught and injured)

► In particular, pay attention to children.

WARNING



Do not suck up flammables or burning objects

(Danger of explosion or fire)
Cigarettes, copier toner, kerosene, thinner, etc.



Do not mishandle

- Do not plug or unplug the charging adapter with wet hands
(Danger of electric shock)
- Do not damage the charging adapter
(Do not let it get tangled up in the floor nozzle's agitator, damage it, modify it, get it near heating appliances, bend it, twist it, nor forcibly pull on it, also do not put heavy objects on it, nor use it with it bundled up, etc.)
(Failure to do so may lead to electric shock or ignition due to short-circuit)
→ For repairs, consult your retailer.
- Do not overload the outlet or wiring device
(Exceeding the rated value owing to too many connected plugs and the like may lead to fire due to heat generation)
- Do not use the charging adapter to charge rechargeable batteries of other than this product or non-rechargeable batteries
(Doing so may lead to battery leakage, heat generation or explosion due to excess current)
- Do not use a damaged charging adapter
(Doing so may lead to fire due to heat generation or ignition)
- Do not short-circuit the main unit connector or charging adapter plug with a metallic object.
(Short-circuit may cause fluid leakage, overheating or ignition)



Use the charging adapter correctly

- Insert fully into the socket
(Failure to do so may lead to electric shock or fire due to heat generation)
- The plug must be removed from the socket outlet before cleaning or maintaining the appliance
(Danger of electric shock)
- Regularly wipe off dust with a dry cloth
(Dust gathered can lead to poor insulation due to moisture, which can lead to fire)

⚠ WARNING

■ Battery (Rechargeable lithium ion battery)



Do not touch the battery with wet hands
(Danger of overheating, ignition or electric shock)



If battery liquid gets into your eyes, immediately wash with clean water (Do not rub your eyes)

(Danger of blindness)

→ Seek medical attention immediately.



If the battery pack is leaking, place the battery in a sealed plastic bag and recycle of safely according to regulations of your residential area

(Liquid may contact resulting in skin irritation or injuries)



For the purposes of recharging the battery, only use the detachable supply unit provided with this appliance

Charging adapter Model No. → See P.EN20

⚠ CAUTION

■ Battery (Rechargeable lithium ion battery)



Do not place items on its top, or place it where you can drop it easily

(Danger of overheating, ignition, electric shock or injuries)



If the battery leaks and the fluid gets onto your skin or clothes, wash carefully with clean water

(Danger of skin irritation or injuries)



Store the main unit and the batteries in a clean, dry place

(Danger of overheating, ignition or electric shock)



The battery must be removed from the appliance before it is scrapped (P. EN19)

(Danger of ignition, electric shock or accidents)



Avoid dropping, impacting or wetting

(Danger of overheating, ignition or electric shock)



If the cord is damaged, you need to replace the charging adapter to avoid danger

(It may cause an electric shock or fire caused by short circuit)



This appliance is not intended for use by persons (including children) with reduced physical, sensory or mental capabilities, or lack of experience and knowledge, unless they have been given supervision or instruction concerning use of the appliance by a person responsible for their safety Children should be supervised to ensure that they do not play with the appliance

(It may cause a burn, injury or electric shock)



In the event of an anomaly or failure, stop using immediately and unplug the charging adapter

(Failure to do so may lead to smoke generation, ignition or electric shock)

Examples of anomalies and failures

- Pressing the operation switch does not start the stick cleaner
- Moving the charging adapter turns on and off the battery status indicator lamp
- The stick cleaner makes an abnormal noise when used
- The main unit deforms and/or becomes abnormally hot
- A burning "smell" comes out of the main unit

→ Immediately request your retailer for inspection or repairs.

■ Main unit and accessories



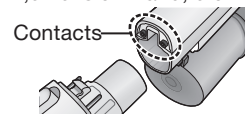
Do not mishandle

- Do not overthrow the main unit
- Do not drag, roll or drop the main unit
- If the floor nozzle's raised fabric, brush cover, roller, etc. are worn, or foreign matter such as sand or pebbles is adhering on them, do not use them like that

→ Check the unit before use, and if there is wearing, consult the place of purchase.

(This can cause scratching to the floor surface)

- Do not put metals on the contacts of the main unit, extension wand, etc.



- Do not pull the cord when unplugging the charging adapter

(Failure to do so may lead to electric shock or ignition due to short-circuit)



Do not allow near fire

(The exhaust may make the flame bigger increasing the risk of fire)



Do not wash it with water (excludes the accessories and parts that can be washed with water), nor use it in bathrooms

(Danger of electric shock or fire)



Be sure to turn off the operation switch when leaning the stick cleaner against walls, etc.

(There is a risk of injury, or the floor getting damaged due to the main unit falling over)

Notes on Use

For long-term use

Do not use for business or other purpose than vacuuming.

■ **Do not use to suck up the following or similar things**
(This can cause malfunctions and odors)

- Chemical dehumidifiers
- Large amounts of a powder (such as the powder inside a fire extinguisher)
- Water and other liquids
- Things with pet excrement and the like
- Glass, pins, needles, toothpicks
- Long strings
- Damp materials
- Carpet fringes (tassels)
- Things that easily block the suction port (such as stockings)

■ **Do not vacuum a place with large amounts of sand, sand for pets or pebbles and the like**
(This can cause malfunctions)

■ **Do not vacuum with the tips of the main unit or extension wand**
(This can cause poor contact and damage due to the wearing of the tips, etc.)

➔ Use the telescopic 2-way nozzle, etc. (P. EN11)

■ **Do not use for long periods of time with the suction port blocked**
(This can cause deformation due to overheating)

■ **Do not block the exhaust vent**
(This can cause deformation due to overheating)

■ **Do not vacuum up large debris, nor vacuum when the dust level line is exceeded**
(This can cause clogging in the intake passage, extension wand, and floor nozzles, etc.)

➔ Remove large debris such as candy wrappers and tissue papers, etc. then vacuum.
Dispose of the debris, before the dust level line is exceeded.

When removing the clogged up debris, refer to “Troubleshooting” (P. EN16).



After vacuuming, check the floor nozzle's underside!

If any debris is entangled, or stuffed in, clear it out. (P. EN14)

To avoid overheating the motor and/ or battery (protection device)

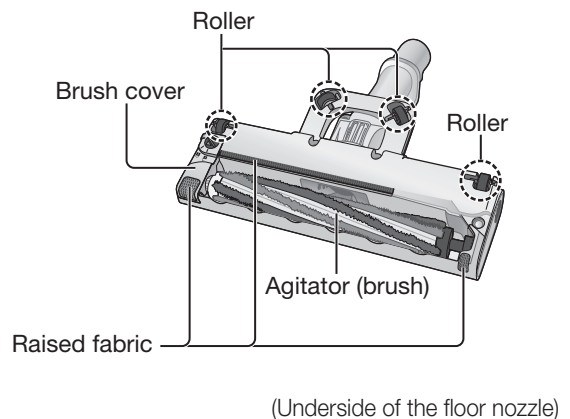
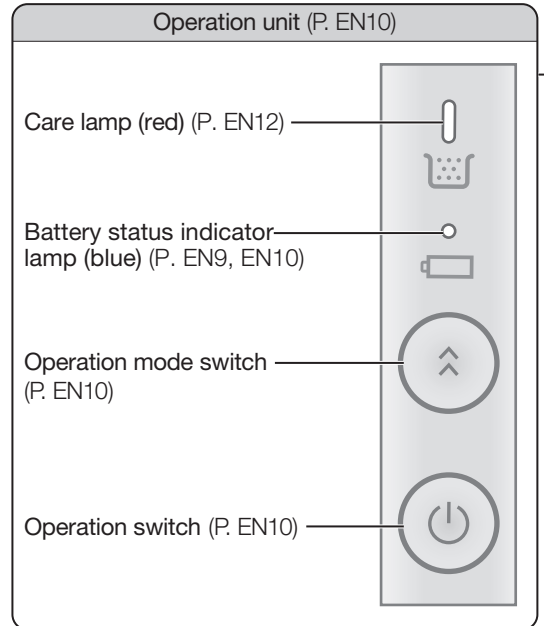
Continuing operation under the following conditions triggers the protection device which will stop and disable the stick cleaner. (P. EN16)

- The care lamp (red) lights up (P. EN12)
- Blocked suction port
- Blocked extension wand and/or nozzle
- Leaving the agitator (brush) in the same place while it is rotating
- Letting the agitator (brush) chew up foreign objects
- Operating it on HIGH in places where there are high temperatures

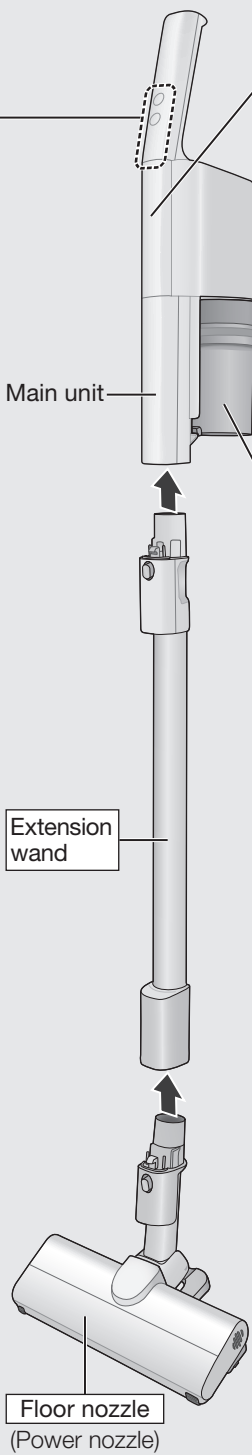
Part Names

Check the included accessories.

Parts enclosed in are included accessories.

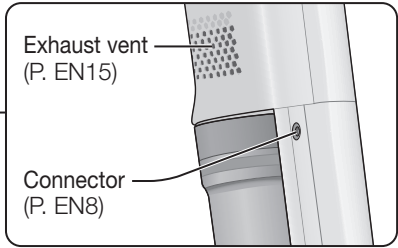


Stick cleaner



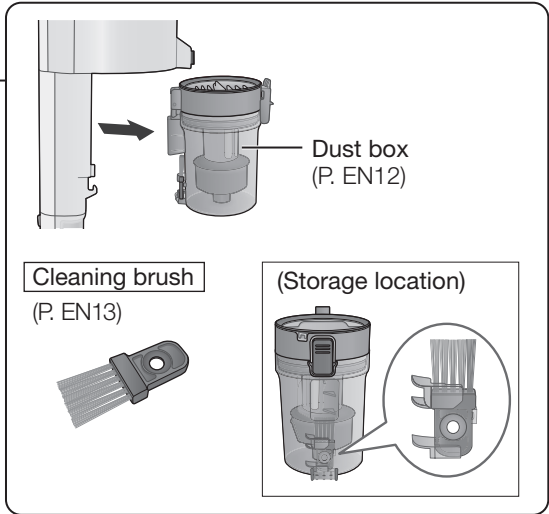
Battery cover (P. EN19)

- The battery is set inside.
- Rechargeable lithium-ion battery
- Rated capacity 1700 mAh
 - Number of cells 4 cells

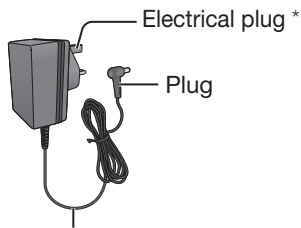


Non-slip Rubber

- Useful when leaning the stick cleaner against walls.



Charging adapter (P. EN8)



Telescopic 2-way nozzle (P. EN11)



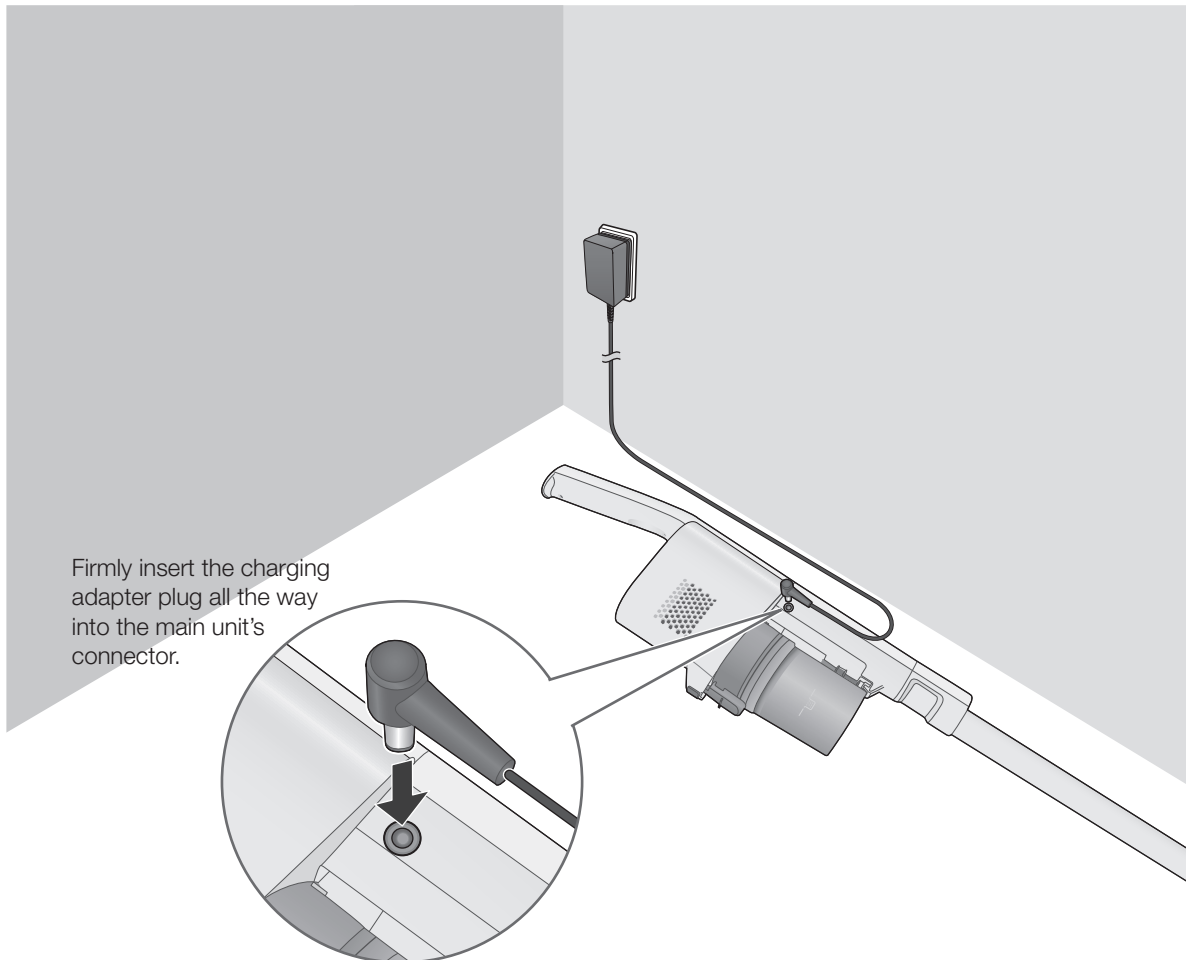
* Electrical plug might be different from illustration.

Charging

Charging

The battery is not fully charged at the time of purchase, so please be sure to charge it before use.

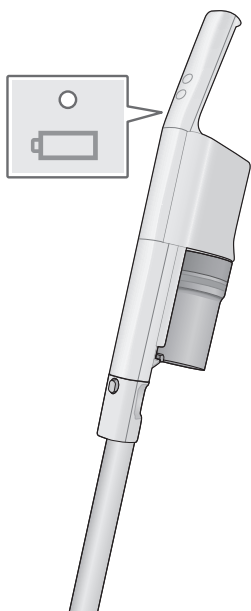
(Charging time: Approx. 3.5 hours)



Request

- When unplugging the plug, do not hold onto the cord, instead hold onto the end of the plug.
(This can cause malfunctioning due to the wire getting broken)

■ How to read the battery status indicator lamp (blue)



Pulsating (blue)
It is charging

The battery temperature changes depending on the usage conditions such as the ambient temperatures and usage times, etc. If the battery temperature is high, then it might take longer to charge it because it automatically waits until it reaches a temperature suitable for charging. (The maximum is about 5 hours)



Goes out
Charging is completed

It goes out when charging is completed.

- There is an abnormality when it quickly flashes (about 0.3 seconds intervals). Refer to "Troubleshooting" (P. EN17).

To help make the battery last longer

- When not using for one month or more, store it fully charged and be sure to charge once a year at the least. (If the battery is stored without any residual power, it might no longer be able to be charged, or the battery's performance or lifespan might be reduced)
- When the stick cleaner stops operating during vacuuming due to a depleted battery, operation may be resumed for a short time by pressing the operation switch again. However, do not operate in this way repeatedly. Doing so shortens the battery service life.
- Be sure to charge the battery in a place with room temperature between 5 °C and 35 °C. The battery cannot be charged correctly in a place with low room temperature, or high temperature such as under direct sunlight. The operating time may become shorter, or the charging time may become longer.

Request

- When the battery status indicator lamp (blue) does not light up, or when it immediately goes out, unplug the charging adapter plug from the main unit, and then plug it in again.
- When using it for the first time, if it has not been used for 6 months or longer, since the battery might be over-discharged, its usage time may be short, so be sure to charge it before using it.
- If radio and TV are disturbed by electrical interference, then move them away from the charging adapter by 1 m or more.

Note

- The main unit and charging adapter become warm during charging, but this is normal.
- The operating time varies depending on the battery temperature and service conditions.
- The charging adapter consumes about 0.3 W of power even when it is not connected to the main unit.
- The charging adapter may make some noise, but this is normal.
- The stick cleaner cannot be used during charging. To use, unplug the charging adapter from the main unit.

Vacuumping

1

To start it up

Press  (Operation starts in ON mode)

The floor nozzle brushes are rotating
(The rotating cannot be stopped)

■ To change the strength



The operating mode changes
each time the button is pressed.
HIGH ↔ ON

ON : Normal vacuuming

HIGH : To vacuum with high suction power



2

To shut it off

Press 

3

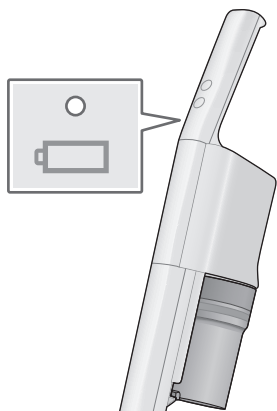
Charge the battery after use. (P. EN8)



Request

- Do not use force on the nozzle, and move it lightly and slowly along tatami mats and wood flooring. Move it back and forth on carpets. Debris can easily be taken up by pulling the nozzle towards yourself. (When vacuuming soft and easy to scratch floors such as cedar, cypress and vinyl floors, etc. and when floor waxes and polishing floor detergents are being used on them, the floors might get scratched up.)

■ The battery status indicator lamp lights up to let you know!

It indicates the remaining battery level while you are vacuuming.



	Lights up (blue) There is enough battery power. You can vacuum.
	Flashing (blue) The battery power is low. Charge it. (P. EN8)

Note

- If the battery runs out during operation, the over-discharge prevention device will automatically stop the battery.

Cleaning Techniques...

Use different nozzles to match the places to be vacuumed.

Request

● Do not use on shiny surfaces such as a piano. (Doing so may scratch the surface)

As a handy cleaner

Floor nozzle

Remove the extension wand while pressing this

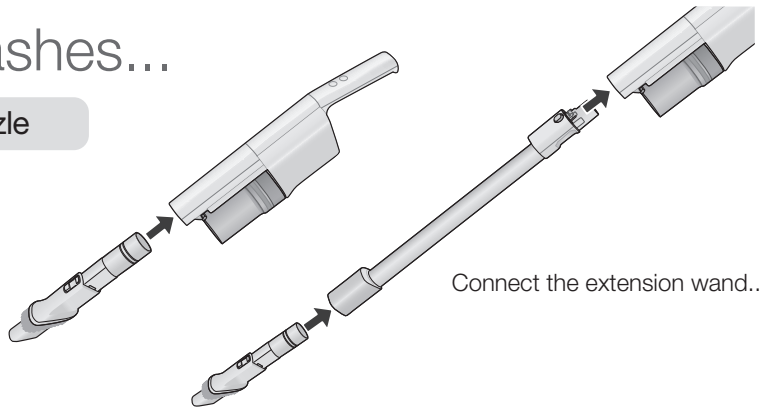
Extension wand

Remove the floor nozzle while pressing this

Floor nozzle

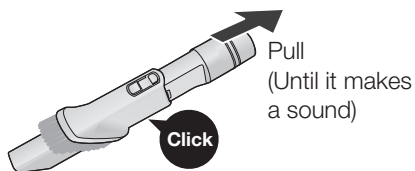
For window sashes...

Telescopic 2-way nozzle

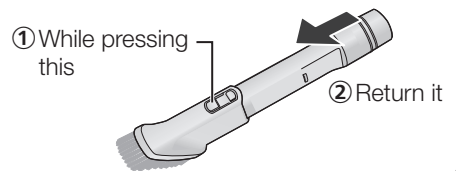


Connect the extension wand...

<How to extend the brush>



<How to push the brush back in>



Empty the dust box/Maintenance

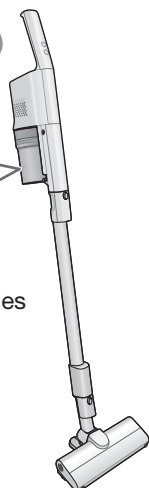
Empty the dust box

Check the Dust Level ()

As a guide, once a week



Clear out the debris before the dust level line is exceeded!

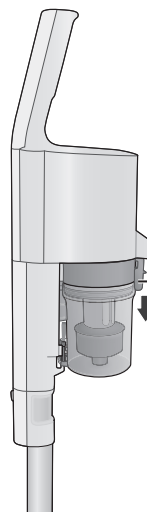


How fast the dust box fills up varies depending on the rubbish type.

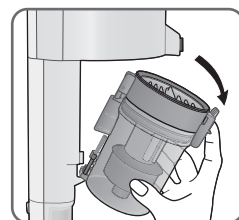
Note

- With a new carpet, the dust box is quickly filled up with loose tufts. (Loose tufts will decrease with the number of vacuuming times)

1 Remove the dust box



Remove while lowering the detachment button



Maintenance (Dust box)

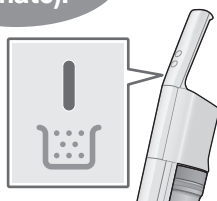
At these times, clean it out (on the right).

- Even though the debris is thrown away, the suction power does not recover...
- The care lamp (red) is lit...



The lamp informs you about the care times (approximate)!

The lamp does not light up in the ON operation.

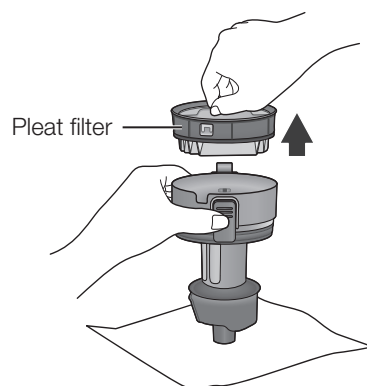


Note

- When the situations are as per the following, the lamp might not light up even if it is filled with debris.
 - When there is a lot of pet hair and cotton debris (Directly check how much debris is accumulated)
- At the following times, the lamp might light up even if there is a little debris.
 - When there is a lot of sand and dirt (discard the debris)
 - When the extension wand/nozzle is clogged with debris (remove the debris)
 - When using the telescopic 2-way nozzle (directly check how much debris is accumulated)

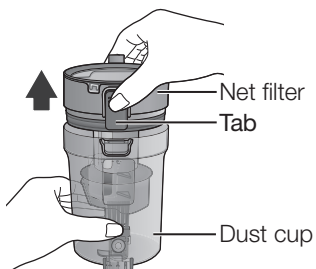
Disassembly

- 1 Throw away the debris (see above)
- 2 Lift up the pleat filter to remove it

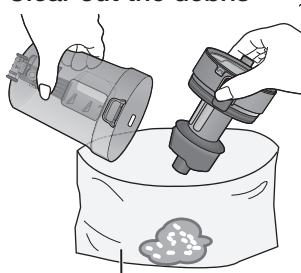


2 Throw away the trash and dust to clean out

1 Remove while pressing the net filter's tab



2 Clear out the debris



Request

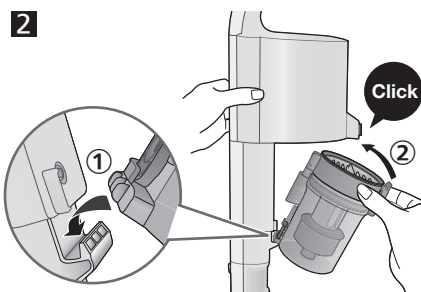
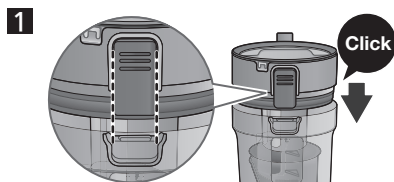
- If it is hard to get the debris to come out, vibrate the dust cup by lightly tapping on it, etc.

Large garbage bag etc.

If hair, etc. is entangled around it and the debris cannot be removed, then clean it out (dust box).

3 Set the dust box

Firmly press until you hear a "click"



- If the dust box is not securely set in, it will not suck in the debris.

Cleaning

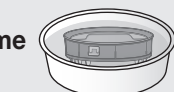
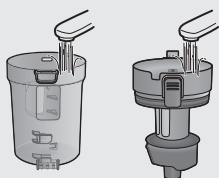
Net filter



Pleat filter



It can also be washed with water when you are concerned about grime (Dry it sufficiently then put it back in)



Immerse it in water (about 30 minutes)



Wash it with running water (Do not rub with a brush, etc.)

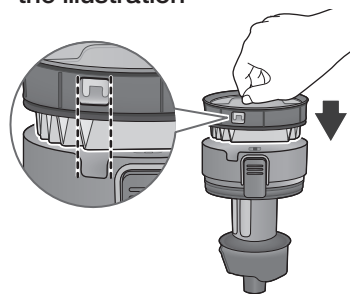
Request

- Do not use detergent, benzene, thinner, alcohol, etc. (May lead to cracks and discoloration)
- Leave it in a well-ventilated place for about 24 hours, and let it thoroughly dry. (Not doing so can cause it to smell and get clogged up)
- Do not expose to hot airflow from a hairdryer and the like. (May lead to deformation and failure)

Assembly

- Install in the reverse sequence of disassembly

1 Set the pleat filter inside as per the illustration



2 Set the net filter in the dust cup and attach the dust box to the main unit

Maintenance (Continued)

When suction power weakens / When maintenance is required

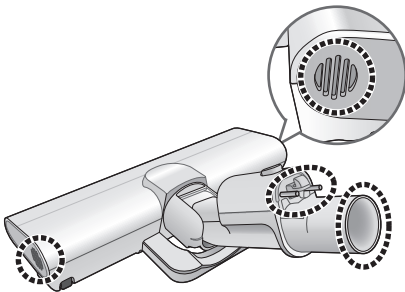
Be sure to turn off the operation switch and unplug the charging adapter before performing maintenance.

Floor nozzle

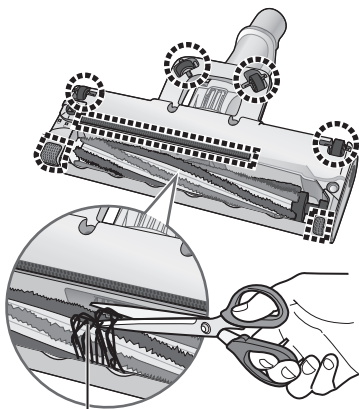
Remove rubbish from the  area.



Except for the agitator (brush)



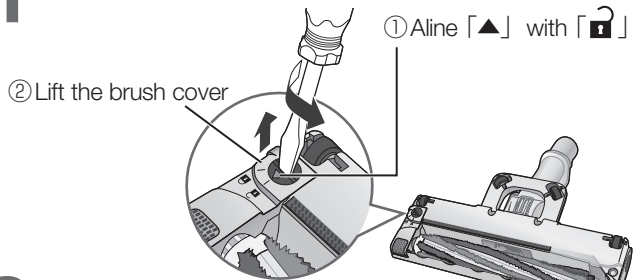
- Use tweezers or scissors, etc. to remove entangled debris, etc.



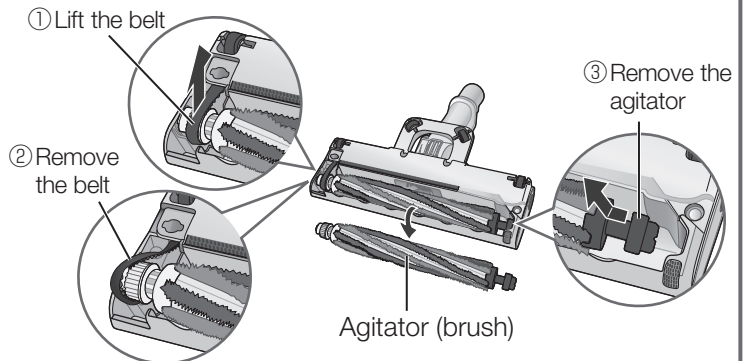
Cut away entangled debris, etc. with scissors along the groove.

■ When you want to wash the agitator with water

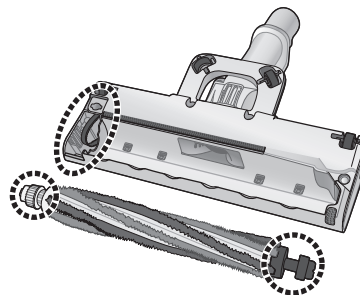
1 Remove the brush cover



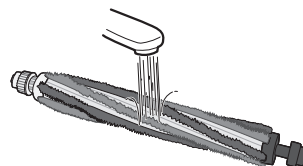
2 Remove the agitator (brush)



3 Remove rubbish from the area



4 Wash the agitator (brush) with water



Exhaust vent

Remove rubbish from the area.

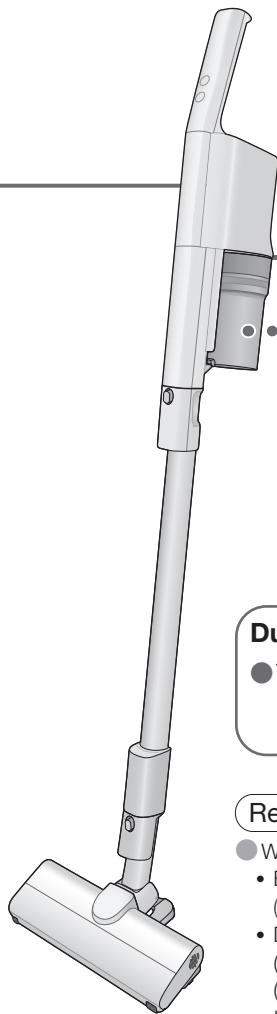
Wash in water X

Main unit/Extension wand

Wipe with a soft damp cloth.

- Wring dry

Wash in water X



Pre-filter

Pat the dust off or rinse.

Wash in water ✓

- Be sure to put it back after maintenance.

Dust box (P. EN12)

- The dust cup's transparency decreases with the number of times it is cleaned, but that does not affect its performance.

Request

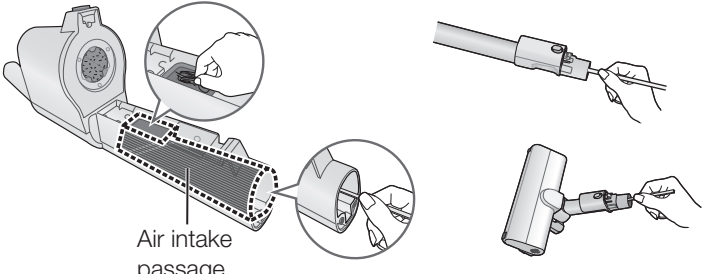
- When washing with water ...
 - Be sure to drain and dry well. (Failure to do so may lead to smell and clogging)
 - Do not expose to hot airflow from a hairdryer and the like. (Agitator (brush) : May lead to deformation and failure) (Pre-filter : May lead to rubbish penetration and failure due to filter shrinkage)
- Do not use detergent, benzene, thinner, alcohol, etc. (May lead to cracks and discoloration)
- When using a wipe, follow its instructions.

Install in...

- ① Attach the belt
- ② Fit the tip
- ③ Push in the agitator (brush)
- ④ Insert from the raised fabric
- ⑤ Aline [▲] with [🔒]

Troubleshooting

Please check the following items before contacting the retailer for repairs.

Problem	Check here
It cannot be operated	<ul style="list-style-type: none"> ▶ ● Is the battery depleted? (P. EN8) ● In order to prevent the motor from overheating, is the safeguard device working? <ul style="list-style-type: none"> → ① Turn off the operation switch ② Wait 5 to 30 minutes (the motor cools down, and the safeguard device is released) ③ Investigate what caused (P. EN6) the safeguard device to work <ul style="list-style-type: none"> • Continuously operated with a lot of dust accumulated in the dust box <ul style="list-style-type: none"> → Throw away the debris in the dust box, and clean it (P. EN12) • The extension wand and nozzle are clogged up with debris <ul style="list-style-type: none"> → Remove the debris • Used with foreign matter entwined in the agitator (brush) <ul style="list-style-type: none"> → Remove the foreign matter
	<ul style="list-style-type: none"> ▶ ● In order to prevent the battery from overheating, is the safeguard device working? <ul style="list-style-type: none"> → ① Turn off the operation switch ② Wait 5 to 30 minutes (the battery cools down, and the safeguard device is released) ③ Investigate what caused (P. EN6) the safeguard device to work <ul style="list-style-type: none"> • Continuously operated with a lot of dust accumulated in the dust box <ul style="list-style-type: none"> → Throw away the debris in the dust box, and clean it (P. EN12) • The extension wand and nozzle are clogged up with debris <ul style="list-style-type: none"> → Remove the debris
The suction power weakens, or it stops operating even though nothing is being done	<ul style="list-style-type: none"> ▶ ● In order to prevent the battery from overheating, is the safeguard device working? <ul style="list-style-type: none"> → ① Turn off the operation switch ② Wait 5 to 30 minutes (the battery cools down, and the safeguard device is released) ③ Investigate what caused (P. EN6) the safeguard device to work <ul style="list-style-type: none"> • Continuously operated with a lot of dust accumulated in the dust box <ul style="list-style-type: none"> → Throw away the debris in the dust box, and clean it (P. EN12) • The extension wand and nozzle are clogged up with debris <ul style="list-style-type: none"> → Remove the debris ● If it is continually operated in HIGH operation in places where there are high temperatures, the protective device might work, and it might stop operating.
	<ul style="list-style-type: none"> ▶ ● Have you been using it so that the floor nozzle fell off? <ul style="list-style-type: none"> → Lift the floor nozzle up once, and slowly lower it. ▶ ● Are debris or strings wrapped around, or jamming up the agitator (brush)? (P. EN14) ● Depending on the floor surface types, such as long-pile carpets, the agitator (brush) might not rotate, or it might slow down.
The suction power from the floor nozzle is weak	<ul style="list-style-type: none"> ▶ ● Is it full of debris? ▶ ● Is the dust box clogged up? <ul style="list-style-type: none"> → Clean it (P. EN12)
The suction power is weak even in the "HIGH" operating mode	<ul style="list-style-type: none"> ▶ ● Turn off the operation switch, and retry operating it. ● Is each filter clogged up? <ul style="list-style-type: none"> → Clean them (P. EN12, EN15) ● Is the dust box securely set in? ● Is the protective device working? (P. EN16) ● Are the air intake passage, extension wand, and floor nozzle clogged up with debris? <ul style="list-style-type: none"> → Remove the clogged up debris with a thin stick, etc.
	 <p style="text-align: center;">Air intake passage</p>
The suction power weakens while it is being operated	

Problem	Check here
The battery status indicator lamp (blue) does not come on	<ul style="list-style-type: none"> ● Is the charging adapter firmly plugged into the outlet? ● Is the charging adapter plug securely inserted into the main unit's connector?
The battery status indicator lamp (blue) does not go out (The charging times are long)	<ul style="list-style-type: none"> ● The charging times might take up to 5 hours at the most depending on the usage conditions such as the ambient temperatures and usage times. ● If the battery status indicator lamp does not go out even though the battery is charged for 5 hours or more, then since the device can be considered to be defective, consult the retailer where it was purchased.
The battery status indicator lamp quickly flashes (about 0.3 second intervals)	<ul style="list-style-type: none"> ● Is the charging adapter plug securely inserted into the main unit's connector? → Unplug the plug from the main unit, and reinsert it ● Is there any foreign matter on the main unit's connector, or the charging adapter plug? → Remove the foreign matter ● Was the battery charged in places where the ambient temperatures are high or low? → Charge it in places where the room temperatures are 5 °C to 35 °C (P. EN9) ● Is the dedicated charging adapter being used? ● Is the battery set in? (P. EN19)
The operating times are short even when it is charged up	<ul style="list-style-type: none"> ● Even if the battery status indicator lamp (blue) is pulsating, it might not be charged. (It is inoperable) If the battery temperature is high, such as immediately after it has been operated, it will not be charged even if the battery status indicator lamp (blue) is pulsating since it automatically goes into standby for charging until a temperature suitable for charging is reached. → Charge it until the battery status indicator lamp (blue) goes out ● Was the battery charged in places where the ambient temperatures are high or low? → Charge it in places where the room temperatures are 5 °C to 35 °C (P. EN9) ● When the usage times are significantly shortened even though it is being correctly charged, the battery's lifespan is over. (The battery's lifespan varies depending on the usage conditions such as ambient temperatures and usage times) → Replace the battery (P. EN19)

Troubleshooting (Continued)

Please check the following items before contacting the retailer for repairs.

	Problem	Check here
Care Lamp(red)	The lamp lights up even though there is very little debris	<ul style="list-style-type: none"> ● When the situations are as per the following, the lamp lights up, but there are no aberrations. <ul style="list-style-type: none"> • When sand and dirt, etc. are concentratedly sucked in. <ul style="list-style-type: none"> → Clean the dust box (P. EN12) • When the extension wand and nozzle are clogged with debris <ul style="list-style-type: none"> → Remove the debris • When using the telescopic 2-way nozzle (P. EN11)
	The lamp does not light up even though there is a lot of debris	<ul style="list-style-type: none"> ● When there are a lot of pet hair, and cotton debris, it might not light up, but this is not an aberration. <ul style="list-style-type: none"> → Discard the debris in the dust box (P. EN12) ● The lamp does not light up in the ON operation. <ul style="list-style-type: none"> → Check that it is in HIGH operation
Noise	The operating sound makes high and loud (“Conk, conk” etc.) noises.	<ul style="list-style-type: none"> ● Are the net filter and pleat filter clogged up? <ul style="list-style-type: none"> → Clean them (P. EN12) ● Are the extension wand and nozzle clogged up with debris? ● Is the nozzle tip blocked?
Smell	The smell of the debris is coming from the exhaust	<ul style="list-style-type: none"> ● Are you leaving the vacuum filled with strongly smelling sucked up debris in it? <ul style="list-style-type: none"> → If you are concerned about this with repeated operating, dispose of the debris (P. EN12) → Clean out each filter (P. EN12, EN15)
	If anomaly persists even after checking	<ul style="list-style-type: none"> ● Bring the product (main unit, extension wand, floor nozzle, battery and charging adapter) along with the warranty to your retailer.

Product Disposal

■ The rechargeable lithium-ion battery in this product is a consumable item.

When the usage times are still obviously getting shorter right away, even after it has been correctly charged, then the battery has probably reached the end of its lifespan.

If the battery needs to be replaced, please contact your dealer or a Panasonic affiliated service center.

In order to avoid improper installation which will cause product malfunctions or generate hazards, please do not replace the battery by yourself.

About the rechargeable lithium-ion battery

The usable time reduces as you continue to repeatedly use the unit. The life of the battery depends on factors such as the ambient temperature, and amount of time it is used, and the length of charge/discharge cycles will become shorter depending on usage conditions.

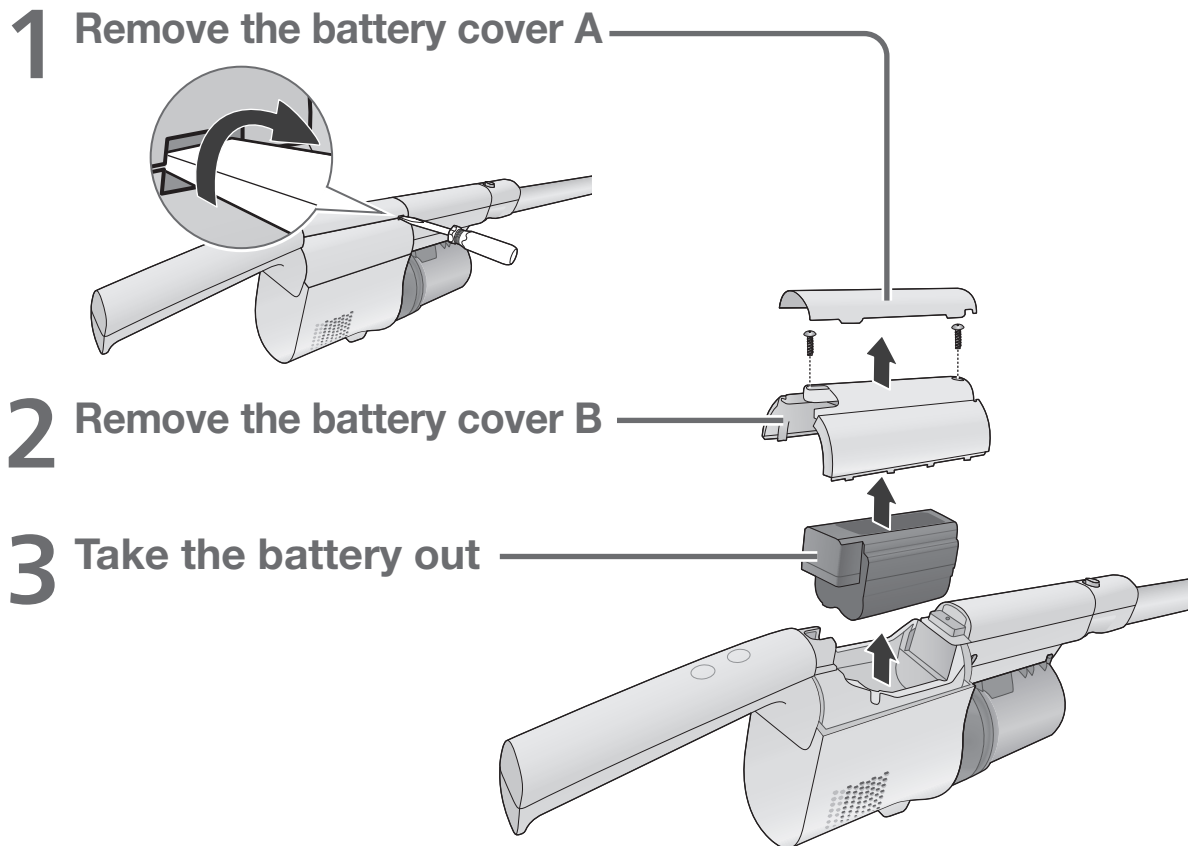
The used battery should not be disassembled and disposed of together with normal household waste. Please take it to appropriate collection points in accordance with your municipal rules. For more information, contact with the retailer or your local authorities in charge of waste management.

Handling of used batteries

- Insulate the terminals with cellophane tape or vinyl tape, etc.
- Do not disassemble the battery.

Request

- Before removing the battery, operate the main unit repeatedly until the battery is discharged completely.
- The appliance must be disconnected from the supply mains when removing the battery.
- The battery is to be disposed of safely.



Specifications

Dimensions	(Stick cleaner) W 220 mm × D 168 mm × H 1093 mm			
	(Main unit) W 88 mm × D 162 mm × H 431 mm			
Weight	1.3 kg (Stick cleaner)			
	0.9 kg (Main unit<Including the battery>)			
Dust capacity	0.15 L (Up to the dust level line)			
	0.3 L (Maximum)			
Battery used	Rechargeable lithium-ion battery Model No. AVA97V-1AH		Nominal voltage	14.4 V \equiv
			Rated capacity	1700 mAh
			Number of cells	4 cells
Continuous operating time*	ON	Approximately 15 minutes (When using the floor nozzle)		
		Approximately 30 minutes (When using the telescopic 2-way nozzle)		
	HIGH	Approximately 6 minutes (When using the floor nozzle)		
Charging adapter	Model No.	AVA61V-1AH (For Hong Kong , Malaysia , Singapore) AVA61V-1A1 (For Vietnam)		
	Input	100-240 V ~ 50-60 Hz 0.35-0.2 A (Power consumption : Charging - Approx. 11 W, Removed from main unit - Approx. 0.3 W)		
	Output	16.5 V \equiv 0.7 A		
	Charging time	Approx. 3.5 hours. (When charged from empty at ambient temperature of 20 °C)		
	Cord length	1.5 m		
Accessories	<ul style="list-style-type: none"> • Extension wand (1) • Floor nozzle (1) • Charging adapter (1) • Telescopic 2-way nozzle (1) • Cleaning brush (1) 			

* Fully charged, initial capacity of battery/at ambient temperature of 20 °C

Charging Information for battery pack

Nominal Specifications		
Item	Specifications	Remark
Charging Current	0.7 A	–
Charging Voltage	16.54 V	–
Charging cut current	100 mA	–
Ambient (Charge)	0 – 45 °C	–
Charge Limits		
Battery Pack Model	Maximum Charge Currents, A	Maximum Charge Voltage, V
AVA97V-1AH	1.1 A	16.7 V

Panasonic®

使用說明書

充電式吸塵機（家用型）

型號 **MC-SB33J**

衷心感謝閣下購買這項 Panasonic 產品。

- 使用本產品之前，請仔細閱讀使用說明書，並妥善保存以備日後參考查閱。
- 使用前請務必仔細閱讀「安全注意事項」（HK4~HK5頁）。
- 說明書中的照片、插圖、顏色為說明示意用，可能與實際產品稍有出入，請以購買之實物為準。



：此符號表示僅限室內使用。
本機所含電池僅限由專業技術員更換。

目錄

- HK4 安全注意事項
- HK6 使用注意事項
- HK6 各部位名稱
- HK8 充電
- HK10 吸塵
- HK12 清空集塵盒
- HK12 保養維護
- HK16 疑難排解
- HK19 產品棄置
- HK20 規格

正
體

HK3

安全注意事項

請務必遵守

本章節說明為防範人身傷害及/或財物損壞，必須遵守的安全注意事項。

■本說明書以下列圖示區分並說明不當使用裝置可能造成的危險及損壞程度。

■本說明書以下列圖示區分並說明顧客必須遵守的事項。



危險

表示極可能造成嚴重傷害或死亡。



警告

表示可能造成嚴重傷害或死亡。



注意

表示可能造成傷害或財物損壞。



表示禁止行為。



表示必須遵守的行為。



危險

■電池（充電式鋰離子電池組）



請勿不當使用

- 請勿用於MC-SB33J以外的產品
- 請使用正版充電式鋰離子電池及電源供應器以外的電池或供應器（過載電流可能造成液體滲漏、過熱或爆炸）
- 請勿將電池置於火源中或接觸熱源
- 請勿於高溫處（包括火源附近或炎熱天氣中）充電或使用，也請勿放置於高溫處（否則可能導致液體滲漏、過熱、起火或爆炸）
- 請勿以指甲戳刺或以物品撞擊。請勿拆解或改裝
- 請勿接觸水或其他液體（否則可能導致液體滲漏、過熱、起火或觸電）
- 請勿以金屬或其他材質接觸插座，以免造成短路
- 請勿與項鍊或髮夾等金屬物品一同運輸或存放（短路可能造成液體滲漏、過熱或起火）



警告



請勿用於吸入易燃或燃燒中的物品

（否則可能引起爆炸或火災）
香菸、影印機碳粉、煤油、
稀釋劑等



請勿不當使用

- 請勿以濕手插入或拔除電源供應器（否則可能觸電）
- 請勿損毀電源供應器（請勿使電源供應器捲入地板用吸嘴的旋轉部，請勿損壞、改造、接近發熱的裝置、彎折、扭轉、強力拉扯，也請勿在電源供應器上放置重物或於電線纏繞的狀態下使用等）（如未遵守，可能因短路而引發觸電或火災）
→ 如需維修，請洽詢經銷商。
- 請勿使插座或線路裝置過熱（若因連接過多插頭等物品而超過額定值，可能會發熱並導致火災）
- 除本產品以外，請勿使用電源供應器為其他充電或非充電式電池充電（此舉可能導致電流過載，造成電池滲漏、發熱或爆炸）
- 請勿使用損壞的電源供應器（此舉可能導致發熱或起火，造成火災）
- 請勿以金屬物品接觸吸塵機充電插孔或電源供應器插頭，以免造成短路。（短路可能造成液體滲漏、過熱或起火）

■主機與配件

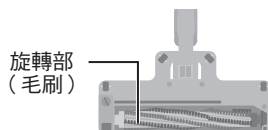


請勿拆解、維修或改造

（否則可能導致觸電或火災）



請勿觸摸地板用吸嘴的旋轉部



（以免手指卡住、受傷）

▶ 孩童使用時須特別注意。



請以正確方式使用電源供應器

- 請完全插入插座中（如未遵守，可能因發熱而導致觸電或火災）
- 清潔或維護本裝置前，請務必將插頭拔除（否則可能觸電）
- 定期以乾布擦除灰塵（累積灰塵可能因濕氣導致絕緣效果不佳，造成火災）

警告

■電池（充電式鋰離子電池組）



請勿以濕手觸摸電池
（可能過熱、起火或觸電）



若電池液接觸眼睛，請立即以清水清洗
（請勿搓揉眼睛）
（有失明危險）
→請立即就醫。



如電池組滲漏，請將電池放入密封的塑膠袋中，並依照居住地法規安全地回收
（接觸漏液可能造成皮膚刺激或傷害）



僅限使用本裝置隨附的可拆式電源供應器為電池充電
電源供應器型號→請參閱 P. HK20

注意

■電池（充電式鋰離子電池組）



請勿將物品放置於電池上方，也不要將電池放置在容易掉落之處
（否則可能過熱、起火、觸電或受傷）



如電池滲漏且漏液接觸到皮膚或衣物，請以清水仔細清洗
（以免皮膚刺激或受傷）



將主機及電池存放於乾淨、乾燥處
（以免過熱、起火或觸電）



電池報廢前請務必自裝置中取出（P. HK19）
（以免起火、觸電或發生意外）



避免掉落、撞擊或受潮
（以免過熱、起火或觸電）



如電線損壞，請務必更換電源供應器，以免發生危險
（可能因短路而導致觸電或起火）



此裝置不適合身體、感官或精神有障礙的人士，或缺乏經驗及知識者使用（包含兒童），除非在對其負有安全責任的人員之監督或指導下使用。孩童應受監管，以免孩童把玩裝置。
（可能造成燒傷、傷害或電擊）



若發生異常或故障，請立即停止使用並拔除電源供應器
（若未能遵守，可能導致冒煙、起火或觸電）

異常或故障例子

- 按下運作開關後，直立式吸塵機未能啟動
- 移動電源供應器時，電量指示燈會忽明忽暗
- 使用時，直立式吸塵機發出異常聲響
- 主機變形及/或機體產生異常高溫
- 主機散發燃燒「氣味」

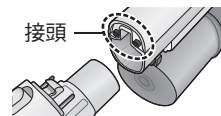
→立即要求經銷商檢測或維修。

■主機與配件



請勿不當使用

- 請勿讓機體傾倒
- 請勿拖拉、翻滾或摔落主機
- 如地板用吸嘴的起毛布、毛刷蓋、滾輪已磨損，或是沙子、礫石等外物附著於其上，請勿繼續使用
→使用前請檢查裝置狀態，如有耗損，請洽詢原購買處。
（可能刮傷地面）
- 請勿在主機接頭、延長桿等部位放置金屬物品



- 拔除電源供應器時，請勿拉扯電線
（若未能遵守以上事項，可能因短路而導致觸電或起火）



請勿靠近火源

（廢氣可能助長火焰，提高火災風險）



請勿以水清洗（配件及可用水清洗的部位除外），也請勿於浴廁使用

（否則可能導致觸電或火災）



將直立式吸塵機靠牆放置前，請務必關閉運作開關

（否則可能受傷，地板可能因主機摔落而受損）

使用注意事項

各部位名稱

為延長吸塵機壽命

請勿用於業務用或打掃以外之用途。

■請勿吸入下列或類似物體

(可能導致故障或惡臭)

- 化學除濕劑
- 大量粉末 (例如滅火器粉末等)
- 水或其他液體
- 寵物排泄物附著的物體
- 玻璃、別針、針、牙籤
- 長繩
- 潮濕物體
- 地毯緣飾 (流蘇)
- 容易堵住吸入口的物體 (例如絲襪)

■請勿清掃有大量砂石、寵物用砂、小石頭等的場所 (可能導致故障)

■請勿用主機或延長桿的前端吸塵

(否則可能造成前端磨損等問題, 導致接觸不良或損壞)
使用伸縮兩用吸嘴等 (P. HK11)

■請勿在吸入口堵塞的狀態下長時間使用 (否則可能因過熱而導致變形)

■請勿堵住排氣孔

(否則可能因過熱而導致變形)

■請勿吸入體積大的垃圾, 請勿在塵量超過「垃圾清理線」的狀態下進行打掃

(否則可能導致進氣口、延長桿、地板用吸嘴堵塞)
糖果包裝、衛生紙等體積大的垃圾, 請清除後再吸塵打掃。

塵量超過「垃圾清理線」時請清除集塵盒。

移除堵塞的垃圾時, 請參考「疑難排解」
(P. HK16)。



打掃後請檢查地板用吸嘴的
內側!


如有垃圾捲入或堵塞, 請加以移除。
(P. HK14)

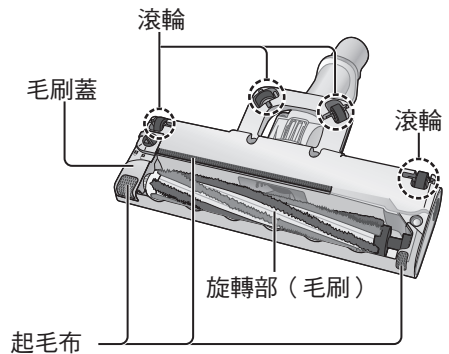
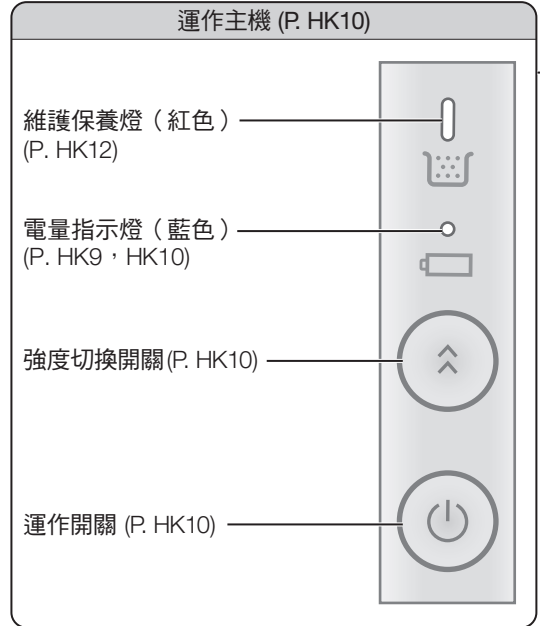
預防摩打與電池過熱 (保護裝置)

如果在下列狀態下持續運作, 保護裝置會啟動, 使直立式吸塵機停止運作, 無法操作。(P. HK16)

- 維護保養燈 (紅色) 呈點亮狀態 (P. HK12)
- 吸入口堵塞
- 延長桿、吸嘴堵塞
- 在旋轉部 (毛刷) 旋轉的狀態下, 使其停留原地運作
- 異物捲入旋轉部 (毛刷)
- 在高溫場所執行 HIGH (高) 運作

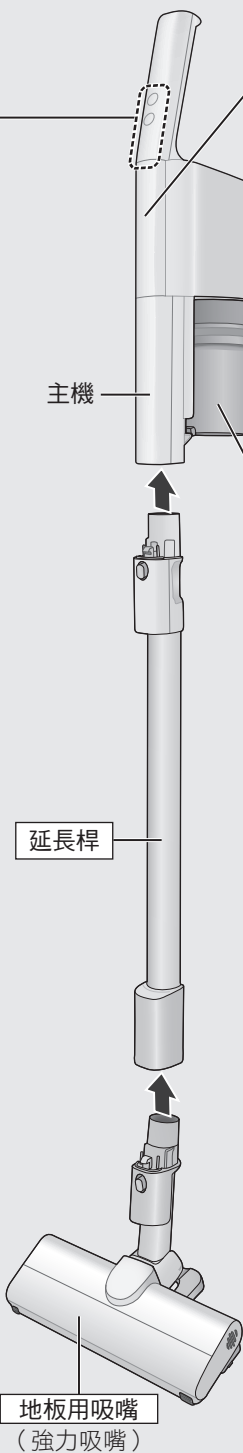
確認配件。

 的零件為配件。



(地板用吸嘴內側)

直立式吸塵機



電池蓋 (P. HK19)

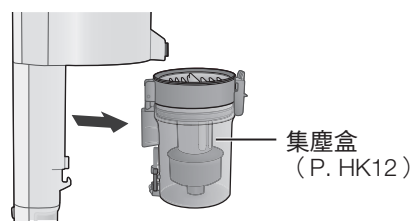
- 電池安裝於此處。
- 充電式鋰離子電池
- 額定容量：1700 mAh
 - 電池數量：4 顆

排氣孔 (P. HK15)

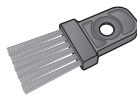
充電插孔 (P. HK8)

防滑橡膠

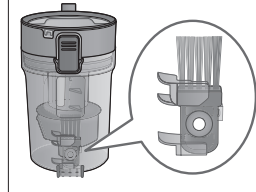
- 適合靠牆放置使用。



清潔刷 (P. HK13)

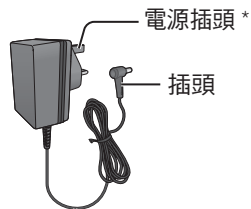


(存放位置)



電源供應器 (P. HK8)

(P. HK8)



* 電源插頭外觀可能與圖示不同。

伸縮兩用吸嘴 (P. HK11)

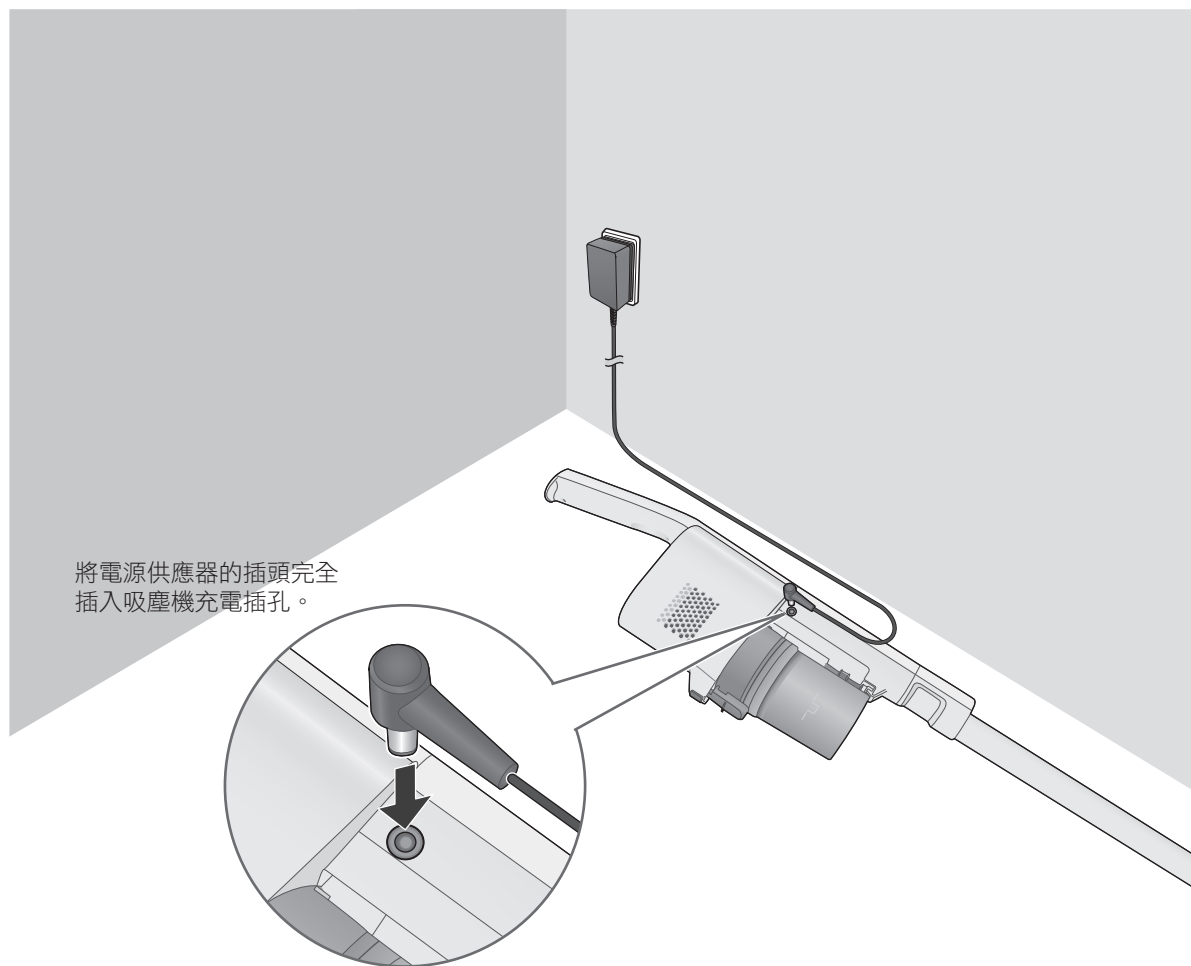
(P. HK11)



充電

充電

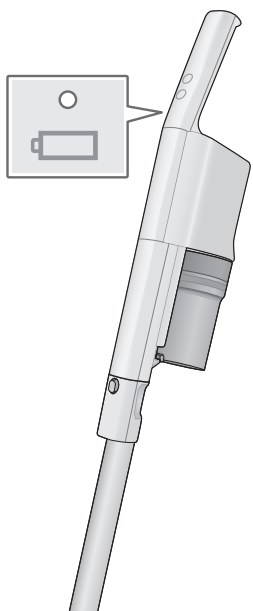
購買吸塵機時，電池並未充飽電，使用前請務必先充電。
(充電時間：約3.5小時)



要求

- 拔除插頭時，請確實握住插頭前端，勿拉扯電線。
(以免因斷線而導致故障)

■如何解讀電量指示燈（藍色）



閃爍（藍色）

充電中

電池溫度會依環境溫度、使用時間等使用條件的不同而產生變化。電池溫度較高時，吸塵機會自動待機至適合充電的溫度，因此，有時充電時間會變長。
（最長約5小時）



熄滅

充電完成

充電完成後，燈號會熄滅。

- 快速閃爍（約間隔0.3秒）時，代表異常。
請參考「疑難排解」（P. HK17）

延長電池壽命

- 超過1個月不使用時，請先將吸塵機充飽電，再進行收納，後續請每年至少充電1次。
（如果在電池毫無殘存電量的情況下進行收納，可能導致電池無法再行充電，或是降低電池效能或壽命）
- 如電池電量在打掃期間耗盡，致使吸塵機停止運作，只要再次按下運作開關，吸塵機仍可短暫運作。不過請避免重複這類操作，以免縮短電池壽命。
- 請在室溫5℃~35℃的場所進行充電。如在室溫偏低或陽光直射的高溫場所，吸塵機可能無法正常充電。有時可能導致運作時間縮短，或充電時間拉長。

要求

- 電量指示燈（藍色）不會閃爍，或馬上熄滅時，請將電源供應器的插頭自主機拔除，然後再次重新插入。
- 首次使用、超過6個月未使用時，電池可能過度放電，導致使用時間縮短，因此，使用前請務必充電。
- 如收音機或電視發出雜音，請將電源供應器移至1 m以外的位置。

提醒

- 充電期間，主機和電源供應器可能升溫，此為正常現象。
- 使用時間會依電池溫度或使用狀態而改變。
- 即使電源供應器的插頭未插在主機上，仍會消耗約0.3 W的電力。
- 有時電源供應器會發出聲響，此為正常現象。
- 充電期間，直立式吸塵機無法運作。如要使用，請拔除電源供應器。

吸塵

1

啟動

按一下  (預設以「ON」模式啟動)

地板用吸嘴的毛刷正在旋轉
(旋轉無法停止)

■改變強度



每按一下即可切換模式。
HIGH ↔ ON

ON (標準) : 正常清潔

HIGH (高) : 以強吸力清潔

2

關閉

按一下 

3

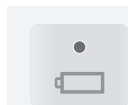
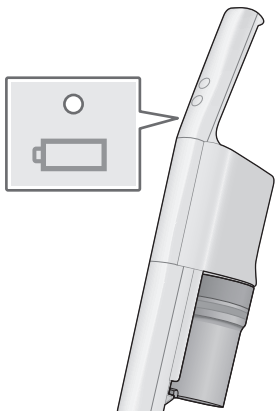
使用後，請為電池充電。
(P. HK8)

要求

- 用於榻榻米或木質地板時，請輕輕緩慢地移動吸嘴，不要過於用力。在地毯上，來回移動吸嘴，往自己的方向拉動吸嘴即可達到很好的除塵效果。(打掃香柏木、檜木或坐墊地板等柔軟容易劃傷的地面，及已使用地板蠟、地板拋光用清潔劑的地面時，可能劃傷地面。)

■電量指示燈的燈號意義

顯示清掃時的剩餘電量。



點亮 (藍色)
電力足夠。可以清掃。



閃爍 (藍色)
電量低，請充電。(P. HK8)

提醒

- 如果電量在運作期間耗盡，過度放電防止裝置會自動停止吸塵機。

打掃技巧...

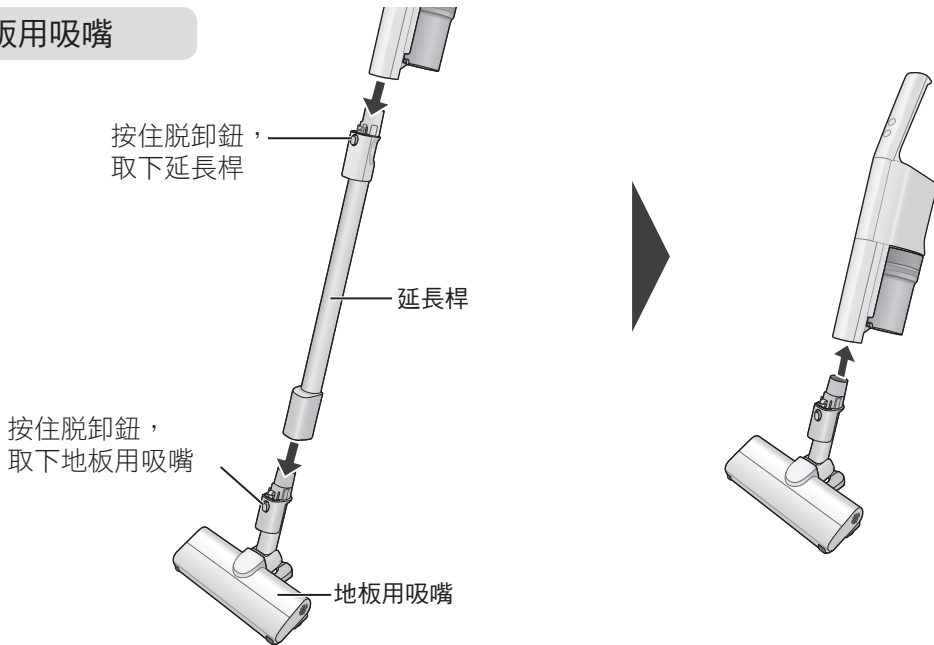
依照打掃場所靈活運用吸嘴。

要求

●請勿用於鋼琴等光亮表面。(以免刮傷)

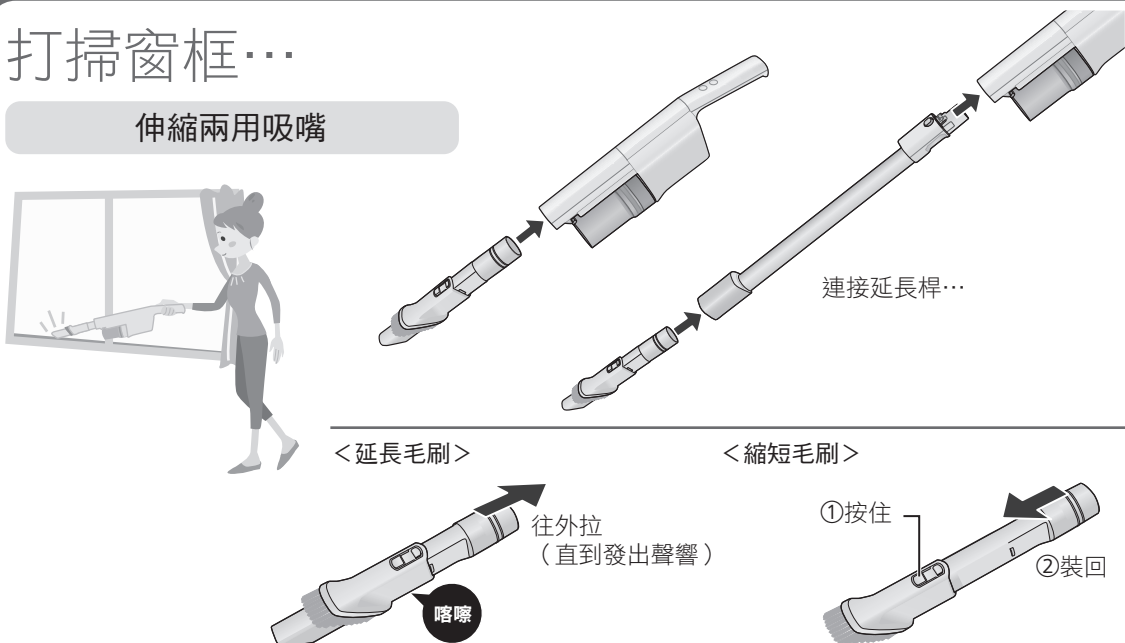
手提式吸塵機

地板用吸嘴



打掃窗框...

伸縮兩用吸嘴



清空集塵盒／保養維護

清空集塵盒

檢查垃圾清理線 (一) (二)

建議一週一次



塵量超過「垃圾清理線」時請清空集塵盒！



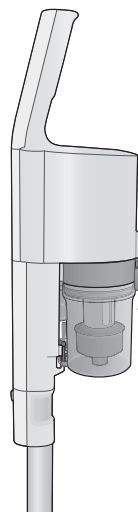
垃圾的累積速度會因垃圾的種類而有不同。

提醒

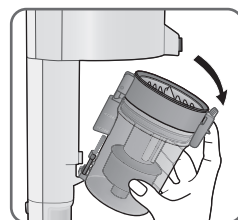
- 打掃新地毯時，集塵盒很快就會積滿毛屑。
(毛屑會在經過幾次打掃後逐漸減少)



1 卸下集塵盒



將卸除鈕往下扳即可卸下



保養維護 (集塵盒)

此時請進行保養清潔 (右列)。

- 清空垃圾後，吸力仍然沒有恢復...
- 維護保養燈 (紅色) 點亮時...

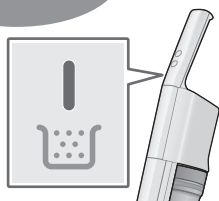


燈號會提醒維護保養時機 (供參考)！

ON 運作時，不會顯示燈號。

提醒

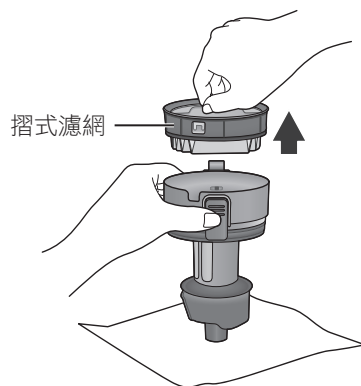
- 遇下列情況時，即使有大量垃圾，也可能不會顯示燈號。
 - 寵物毛髮或棉絮過多時 (請直接確認垃圾的累積情況)
- 發生下列情況時，即便只有些許垃圾，仍然會顯示燈號。
 - 砂石或沙塵較多時 (清空垃圾)
 - 垃圾堵住延長桿 / 吸嘴時 (清除垃圾)
 - 使用伸縮兩用吸嘴時 (請直接確認垃圾的累積情況)



拆卸

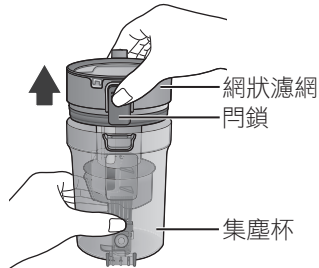
1 清空垃圾 (上述)

2 抽起摺式濾網即可卸下



2 清空垃圾與灰塵

1 按壓網狀濾網的門鎖即可卸下



2 清空垃圾



大型垃圾袋等

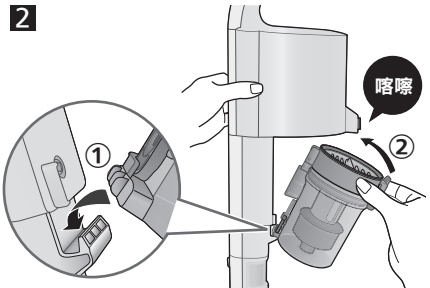
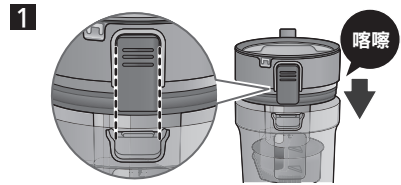
要求

- 垃圾不容易倒出時，請輕拍集塵杯，以震動的方式倒出垃圾。

如果毛髮纏繞，導致垃圾不容易清除時，請進行保養清潔（集塵盒）。

3 安裝集塵盒

確實按壓，直到聽見「喀嚓」



- 如果集塵盒安裝不正確就無法吸塵。

保養清潔

網狀濾網

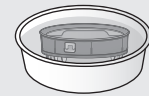
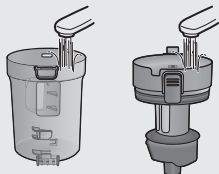


摺式濾網



充滿污垢時，也可以用水清洗
(確實晾乾後再裝回)

可水洗



浸泡於水中
(約 30 分鐘)



以流動清水沖洗 (請勿使用
刷具等工具摩擦)

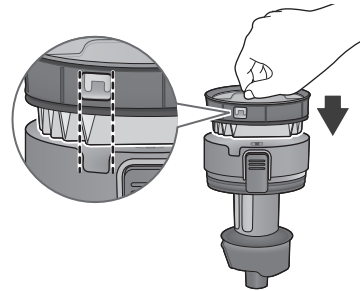
要求

- 請勿使用清潔劑、汽油、稀釋液、酒精等清洗。
(以免導致龜裂或變色)
- 請放置於通風良好的場所約24小時，確實晾乾。
(以免產生異味或堵塞)
- 請不要用吹風機等熱風直吹。
(以免變形或故障)

安裝

- 依照與拆卸相反的順序進行安裝

1 依照圖示裝上摺式濾網



2 將網狀濾網裝入集塵杯中，並將集塵盒裝回主機

保養維護 (續)

吸力減弱時 / 感覺有異狀時

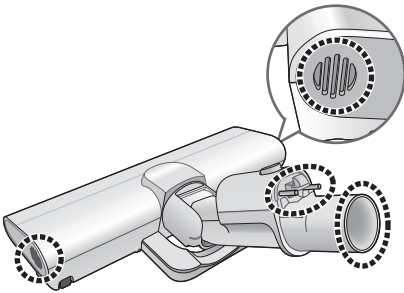
保養前，請關閉運作開關，拔除電源供應器。

地板用吸嘴

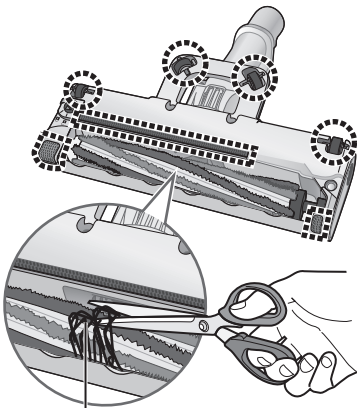
清除  部分的垃圾。



不包含旋轉部
(毛刷)



●用鑷子或剪刀等工具，去除纏繞的垃圾

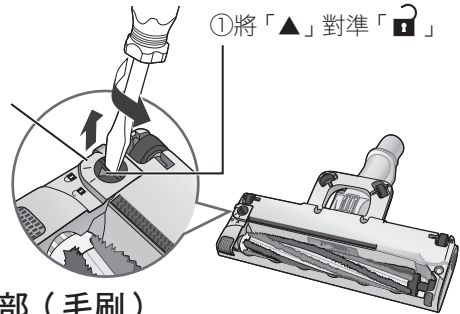


用剪刀沿著凹槽剪除纏繞的垃圾。

■水洗旋轉部方式

1 卸下毛刷蓋

②提起毛刷蓋

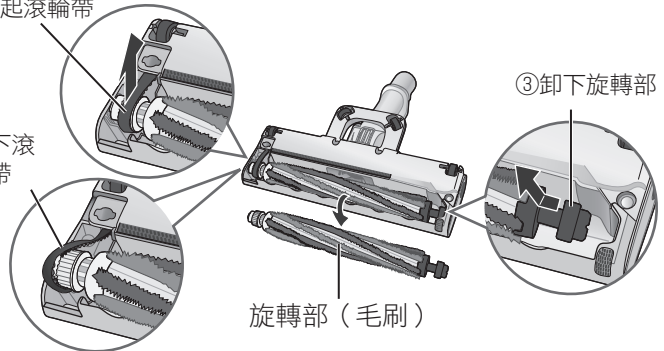


2 卸下旋轉部 (毛刷)

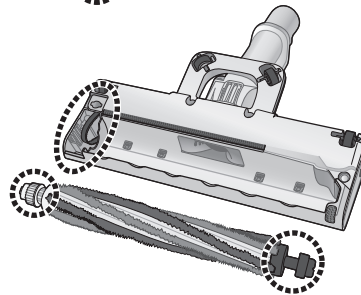
①拉起滾輪帶

②卸下滾輪帶

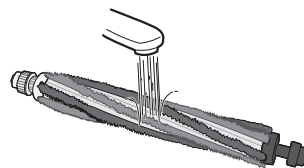
③卸下旋轉部




3 清除 部分的垃圾



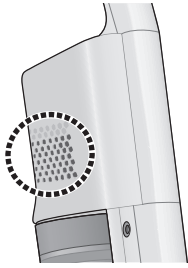
4 水洗旋轉部(毛刷)



排氣孔

清除  部分的垃圾。

不可水洗

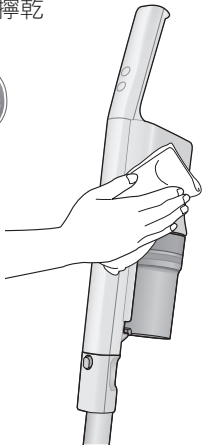


主機/延長桿

以柔軟的濕布擦拭。

● 確實擰乾

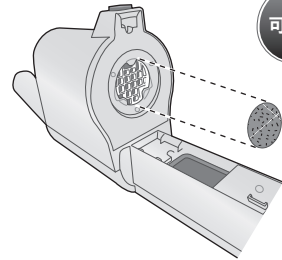
不可水洗



前過濾網

輕輕拍打，去除灰塵或是稍微用水清洗。

可水洗



● 保養清潔完成後，請務必裝回。

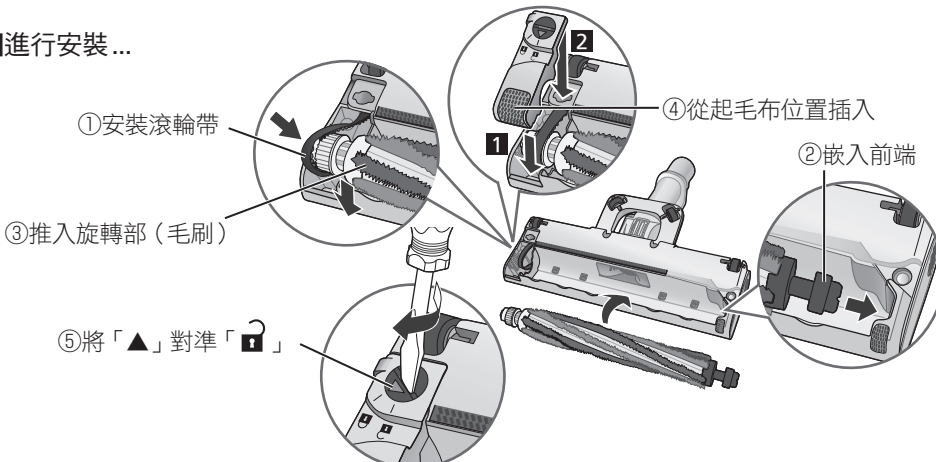
集塵盒 (P. HK12)

● 除集塵杯的透明度會隨著清潔次數降低，但不影響其作用。

要求

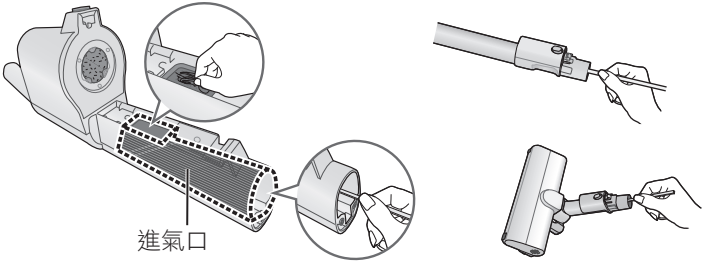
- 水洗的時候...
 - 請確實瀝乾水分，並充分晾乾。(以免產生異味或堵塞)
 - 請不要用吹風機等熱風直吹。(否則旋轉部(毛刷)可能變形或故障)(前過濾網可能收縮，導致塵埃侵入，並造成故障)
- 請勿使用清潔劑、汽油、稀釋液、酒精等清洗。(以免導致龜裂或變色)
- 使用魔術抹布時，請遵照說明書。

■ 進行安裝...



疑難排解

聯絡經銷商送修之前，請先確認下列事項。

問題	檢查項目
無法運作	<ul style="list-style-type: none"> ▶ ● 電池是否耗損？（P. HK8）
吸力無故減弱，或停止運作	<ul style="list-style-type: none"> ▶ ● 是否因摩打過熱，而啟動保護裝置？ <ul style="list-style-type: none"> →①關閉運作開關 ②等待5~30分鐘（摩打冷卻後，保護裝置就會解除） ③調查保護裝置啟動的原因（P. HK6） <ul style="list-style-type: none"> • 在集塵盒垃圾過多的情況下持續運作 <ul style="list-style-type: none"> →清空集塵盒內的垃圾，進行保養清潔（P. HK12） • 垃圾堵住延長桿、吸嘴 <ul style="list-style-type: none"> →清除垃圾 • 在旋轉部（毛刷）卡著異物的狀態下使用 <ul style="list-style-type: none"> →去除異物
地板用吸嘴的旋轉部（毛刷）停止不動	<ul style="list-style-type: none"> ▶ ● 是否因電池過熱，而啟動保護裝置？ <ul style="list-style-type: none"> →①關閉運作開關 ②等待5~30分鐘（電池冷卻後，保護裝置就會解除） ③調查保護裝置啟動的原因（P. HK6） <ul style="list-style-type: none"> • 在集塵盒垃圾過多的情況下持續運作 <ul style="list-style-type: none"> →清空集塵盒內的垃圾，進行保養清潔（P. HK12） • 垃圾堵住延長桿、吸嘴 <ul style="list-style-type: none"> →清除垃圾 ▶ ● 若在高溫場所持續以HIGH（高）運作，保護裝置可能會啟動，導致吸塵機停止運作。
	<ul style="list-style-type: none"> ▶ ● 是否沒有讓地板用吸嘴平貼於地板？ <ul style="list-style-type: none"> →先稍微提起地板用吸嘴，再慢慢放下。 ▶ ● 是否有垃圾或毛髮捲進旋轉部（毛刷），或是堵塞？（P. HK14） ▶ ● 依地板種類的不同，有時可能導致旋轉部（毛刷）無法旋轉，或轉速變慢，例如：長毛地毯等。
地板用吸嘴的吸力減弱	<ul style="list-style-type: none"> ▶ ● 是否有大量的垃圾？ ▶ ● 集塵盒是否堵塞？ <ul style="list-style-type: none"> →進行保養清潔（P. HK12）
採用HIGH（高）運作模式，吸力仍舊不強 吸力在運作期間變弱	<ul style="list-style-type: none"> ▶ ● 請關閉運作開關，重新啟動。 ▶ ● 各濾網是否堵塞？ <ul style="list-style-type: none"> →進行保養清潔（P. HK12、HK15） ▶ ● 集塵盒是否安裝妥當？ ▶ ● 保護裝置是否啟動？（P. HK16） ▶ ● 進氣口、延長桿、地板用吸嘴是否被垃圾堵住？ <ul style="list-style-type: none"> →用較細的棍棒等工具清除堵住的垃圾
	

問題	檢查項目
電量指示燈（藍色）不會點亮	<ul style="list-style-type: none"> ● 電源供應器是否確實插進插座？ ● 電源供應器的插頭是否確實插進主機的充電插孔？
電量指示燈（藍色）不會熄滅（充電時間較長）	<ul style="list-style-type: none"> ● 依環境溫度、使用時間等使用條件的不同，充電時間最長可達5小時。 ● 如果充電超過5小時，電量指示燈仍然未熄滅，很可能是吸塵機故障，請洽詢閣下購買吸塵機的經銷商。
電量指示燈快速閃爍（間隔約0.3秒）	<ul style="list-style-type: none"> ● 電源供應器的插頭是否確實插進主機的充電插孔？ → 從主機上拔下插頭，重新再插一次 ● 主機的充電插孔或電源供應器的插頭是否有異物附著？ → 清除異物 ● 是否在環境溫度偏高或偏低的場所進行充電？ → 請在室溫5℃~35℃的場所進行充電（P. HK9） ● 是否使用原廠專用的電源供應器？ ● 是否有裝入電池？（P. HK19）
就算充滿電，運作時間仍很短	<ul style="list-style-type: none"> ● 就算電量指示燈（藍色）閃爍，有時仍會有充電不正常的情況。（無法運作） 如吸塵機剛結束運作，電池溫度偏高，則吸塵機會自動待機，等溫度降至適合充電的溫度後再進行充電，因此，就算電量指示燈（藍色）閃爍顯示，仍不會進行充電。 → 持續充電，直到電量指示燈（藍色）熄滅為止 ● 是否在環境溫度偏高或偏低的場所進行充電？ → 請在室溫5℃~35℃的場所進行充電（P. HK9） ● 就算正常充電，使用時間仍明顯縮短，代表電池壽命已盡。（電池壽命會因環境溫度、使用時間等使用條件而有所不同） → 更換電池（P. HK19）

疑難排解 (續)

聯絡經銷商送修之前，請先確認下列事項。

問題	檢查項目
維護保養燈 (紅色) 垃圾不多，保養燈卻亮起	<ul style="list-style-type: none">● 遇下列情況時，並未顯示異常燈號。<ul style="list-style-type: none">• 集中吸入砂石或土塵等垃圾時。<ul style="list-style-type: none">→ 清理集塵盒 (P. HK12)• 延長桿、吸嘴被垃圾堵住時<ul style="list-style-type: none">→ 移除垃圾• 使用伸縮兩用吸嘴時 (P. HK11)
噪音 即使有大量垃圾，也不會顯示燈號	<ul style="list-style-type: none">● 寵物毛髮、棉絮較多時，有時不會顯示燈號，此為正常現象。<ul style="list-style-type: none">→ 清空集塵盒的垃圾 (P. HK12)● ON 運作時，不會顯示燈號。<ul style="list-style-type: none">→ 利用 HIGH 運作進行確認
異味 運作聲變大、發出較大聲響 (「啪咚啪咚」等)	<ul style="list-style-type: none">● 網狀濾網及摺式濾網是否堵塞？<ul style="list-style-type: none">→ 進行保養清潔 (P. HK12)● 延長桿、吸嘴是否被垃圾堵塞？● 吸嘴前端是否堵塞？
檢查之後，仍有其他異常	<ul style="list-style-type: none">● 請攜帶產品 (主機、延長桿、地板用吸嘴、電池、電源供應器) 與保用證，前往閣下購買吸塵機的經銷商。

產品棄置

■本產品中的充電式鋰離子電池組為消耗品。
即使正確充電，使用時間仍明顯變短，代表電池可能達到壽命終點。
如需更換電池，請洽詢經銷商或 Panasonic 直屬服務中心。
避免不當的安裝而造成產品故障或發生危險，請勿自行更換電池。

關於充電式鋰離子電池

持續重複使用本裝置將使運作時間縮短。電池壽命視乎環境溫度、使用時間等因素，且充電/放電循環長度將依使用條件的不同而縮短。

使用後之電池不應拆解並與一般家庭廢棄物一同棄置。請將電池攜至當地法規指定之合適收集點。如需詳細資訊，請洽詢經銷商，或所在地廢棄物處理之機構。

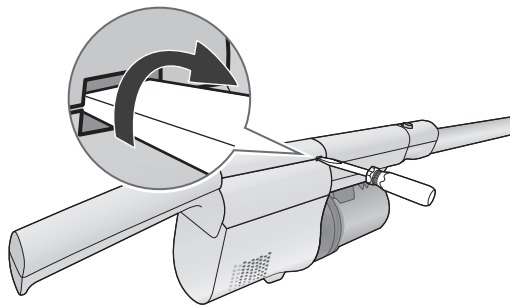
使用後之電池處理方式

- 以透明或聚氯乙稀絕緣膠帶等材質包裹電極，使其絕緣。
- 請勿拆解電池。

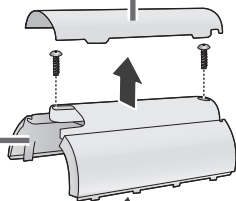
要求

- 取出電池之前，請重複使用主機，直到電池電力放盡。
- 取出電池時，請務必拔除裝置電源。
- 請以安全的方式回收電池。

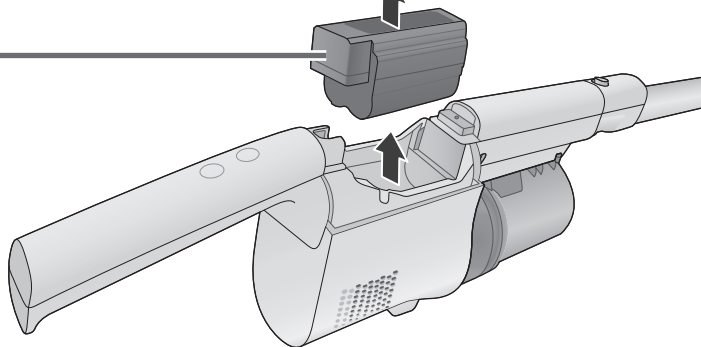
1 取下電池蓋 A



2 取下電池蓋 B



3 取出電池



規格

尺寸	(直立式吸塵機) 闊 220 mm × 長 168 mm × 高 1093 mm			
	(主機) 闊 88 mm × 長 162 mm × 高 431 mm			
重量	1.3 kg (直立式吸塵機)			
	0.9 kg (主機<含電池>)			
集塵容量	0.15 L (塵量達到「垃圾清理線」)			
	0.3 L (最大容量)			
使用電池	充電式鋰離子電池 型號：AVA97V-1AH		標稱電壓	14.4 V \equiv
			額定電容量	1700 mAh
			電池數量	4個電池
持續運作時間*	標準	約15分鐘 (使用地板用吸嘴時)		
		約30分鐘 (使用伸縮兩用吸嘴時)		
	高	約6分鐘 (使用地板用吸嘴時)		
臨時供電	型號	AVA61V-1AH (對於香港、馬來西亞、新加坡) AVA61V-1A1 (對於越南)		
	輸入	100-240 V ~ 50-60 Hz 0.35-0.2 A (消耗電量：充電時 - 約 11 W，自主機中取出 - 約 0.3 W)		
	輸出	16.5 V \equiv 0.7 A		
	充電時間	約3.5小時 (從電量完全放電狀態開始充電，環境溫度20 °C)		
	電線長度	1.5 m		
配件	<ul style="list-style-type: none"> • 延長桿(1) • 地板用吸嘴(1) • 電源供應器(1) • 伸縮兩用吸嘴(1) • 清潔刷(1) 			

* 使用電量充飽的新電池，環境溫度20 °C

電池組充電資訊

標稱規格		
項目	規格	備註
充電電流	0.7 A	-
充電電壓	16.54 V	-
充電截止電流	100 mA	-
環境溫度 (充電)	0 - 45 °C	-
充電限制		
電池組型號	最大充電電流 (A)	最大充電電壓 (V)
AVA97V-1AH	1.1 A	16.7 V

Arahan Pengendalian

Pembersih Vakum Boleh Dicas Semula (Penggunaan domestik)

No. Model **MC-SB33J**

Terima kasih kerana membeli produk Panasonic ini.

- Sila baca arahan ini dengan teliti sebelum menggunakan produk ini dan simpan arahan pengendalian ini untuk kegunaan masa hadapan.
- Sila baca "Langkah berjaga-jaga keselamatan" (Halaman MA4 hingga MA5) dengan teliti sebelum menggunakan produk.
- Gambar, ilustrasi, warna, dll. yang digunakan adalah untuk tujuan penjelasan dan mungkin sedikit berbeza daripada produk sebenar.



: Simbol ini bermaksud untuk kegunaan di dalam bangunan sahaja. Perkakas ini mengandungi bateri yang hanya boleh diganti oleh orang yang berkemahiran.

Kandungan

- MA4 **Langkah Berjaga-jaga Keselamatan**
- MA6 Nota Penggunaan
- MA6 Nama Bahagian
- MA8 Pengecasan
- MA10 Pemvakuman
- MA12 Kosongkan bekas habuk
- MA12 Penyelenggaraan
- MA16 Penyelesaian Masalah
- MA19 Pelupusan Produk
- MA20 Spesifikasi

Langkah Berjaga-jaga Keselamatan

Sila patuhi semua arahan

Bahagian ini menerangkan langkah berjaga-jaga keselamatan yang mesti dipatuhi untuk mengelakkan kecederaan diri dan/atau kerosakan harta benda.

■ Tahap bahaya dan kerosakan yang mungkin berlaku apabila peranti digunakan secara salah dikelaskan dan ditunjukkan seperti di bawah.



BAHAYA

Menunjukkan risiko kecederaan serius atau kematian yang tinggi.



AMARAN

Menunjukkan risiko kecederaan serius atau kematian.



AWAS

Menunjukkan risiko kecederaan atau kerosakan harta benda.

■ Simbol berikut menunjukkan perkara yang perlu anda perhatikan.



Menunjukkan tindakan yang dilarang.



Menunjukkan tindakan yang mesti dilaksanakan.



BAHAYA

■ Bateri (Bateri litium ion boleh dicas semula)



Jangan salah kendalikan

- Jangan gunakan selain daripada MC-SB33J
- Jangan gunakan bateri atau penyusai selain daripada bateri litium ion boleh dicas semula dan penyusai pengecasan yang tulen (Arus lebih boleh menyebabkan kebocoran bendalir, pemanasan lampau atau letupan)
- Jangan buang bateri ke dalam api atau dedahkan bateri kepada haba
- Jangan cas, gunakan atau letakkan bateri di tempat bersuhu tinggi, termasuk berhampiran api atau dalam cuaca yang panas (Bahaya kebocoran bendalir, pemanasan lampau, penyalaaan atau letupan)
- Jangan tebuk dengan paku atau terkena kejutan. Jangan tanggalkan atau ubah
- Jangan dedahkan kepada air atau cecair lain (Bahaya kebocoran bendalir, pemanasan lampau, penyalaaan atau kejutan elektrik)
- Jangan akibatkan litar pintas dengan membenarkan logam atau bahan lain bersentuhan dengan terminal soket
- Jangan angkut atau simpan bersama-sama objek logam seperti rantai leher atau pin rambut (Litar pintas boleh menyebabkan kebocoran bendalir, pemanasan lampau atau penyalaaan)

■ Unit utama dan aksesori

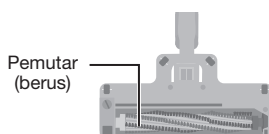


Jangan tanggalkan, baiki atau ubah suai

(Bahaya kejutan elektrik atau kebakaran)



Jangan sentuh pemutar nozel lantai



(Terdapat risiko jari anda tersepit dan tercedera)

- ▶ Tumpukan perhatian terutamanya kepada kanak-kanak.



AMARAN



Jangan sedut objek yang mudah terbakar atau sedang terbakar

(Bahaya letupan atau kebakaran)

Rokok, toner pencetak, minyak tanah, pencair dll.



Jangan salah kendalikan

- Jangan pasang atau cabut palam penyusai pengecasan dengan tangan yang basah (Bahaya kejutan elektrik)
- Jangan rosakkan penyusai pengecasan (Jangan biarkan penyusai pengecasan tersangkut pada pemutar nozel lantai, dirosakkan, diubah suai, didekatkan dengan alat pemanas, dibengkokkan, diputar atau ditarik secara paksa, dan juga jangan letakkan benda berat di atas penyusai pengecasan atau menggunakan penyusai pengecasan dengan ia digabungkan, dll.) (Kegagalan berbuat demikian boleh menyebabkan kejutan elektrik atau penyalaaan disebabkan litar pintas) → Untuk pembaikan, rujuk penjual anda.
- Jangan bebaskan saluran keluar atau peranti pendawaian (Melebihi nilai terkadar disebabkan oleh terlalu banyak palam yang disambungkan dan yang seumpamanya boleh menyebabkan kebakaran yang disebabkan penjanaan haba)
- Jangan gunakan penyusai pengecasan untuk mengecap bateri boleh dicas semula selain daripada produk ini atau bateri yang tidak boleh dicas semula (Berbuat demikian boleh menyebabkan kebocoran bateri, penjanaan haba atau letupan disebabkan arus berlebihan)
- Jangan gunakan penyusai pengecasan yang rosak (Berbuat demikian boleh menyebabkan kebakaran disebabkan penjanaan haba atau penyalaaan)
- Jangan akibatkan litar pintas pada penyambung unit utama atau palam penyusai pengecasan dengan objek logam. (Litar pintas boleh menyebabkan kebocoran bendalir, pemanasan lampau atau penyalaaan)



Gunakan penyusai pengecasan dengan betul

- Masukkan sepenuhnya ke dalam soket (Kegagalan berbuat demikian boleh menyebabkan kejutan elektrik atau kebakaran disebabkan penjanaan haba)
- Palam mesti ditanggalkan daripada saluran keluar soket sebelum membersihkan atau menyelenggara alat ini (Bahaya kejutan elektrik)
- Bersihkan habuk menggunakan kain kering dengan kerap (Habuk yang terkumpul boleh menyebabkan penempatan yang lemah akibat kelembapan yang boleh mengakibatkan kebakaran)

⚠️ AMARAN

■ Bateri (Bateri litium ion boleh dicas semula)



Jangan sentuh bateri dengan tangan yang basah
(Bahaya pemanasan lampau, penyalaan atau kejutan elektrik)



Jika cecair bateri masuk ke dalam mata anda, segera basuh dengan air yang bersih (Jangan gosok mata anda)

(Bahaya kebutaan)

→ Dapatkan rawatan perubatan dengan segera.



Jika pek bateri bocor, letakkan bateri di dalam beg plastik yang terkedap dan kitar semula mengikut peraturan kawasan kediaman anda dengan selamat

(Cecair boleh terkena pada kulit dan mengakibatkan kerengsaan kulit atau kecederaan)



Untuk tujuan mengecas semula bateri, hanya gunakan unit bekalan boleh tanggal yang disediakan bersama dengan alat ini

Penyesuai pengecasan No. Model → Lihat H. MA20



Elakkan daripada menjatuhkan, menghentam atau membasahkan

(Bahaya pemanasan lampau, penyalaan atau kejutan elektrik)



Jika kord sudah rosak, anda perlu menggantikan penyesuai pengecasan untuk mengelakkan bahaya

(Ia boleh menyebabkan kejutan elektrik atau kebakaran yang disebabkan oleh litar pintas)



Alat ini bukan direka untuk digunakan oleh individu (termasuk kanak-kanak) yang kurang upaya fizikal, deria atau mental atau kurang pengalaman dan pengetahuan melainkan pengawasan atau arahan penggunaan alat itu telah diberikan kepada mereka oleh orang yang bertanggungjawab ke atas keselamatan mereka

Kanak-kanak harus diawasi bagi memastikan mereka tidak bermain dengan alat ini.

(Ini boleh menyebabkan lecuran, kecederaan atau kejutan elektrik)



Sekiranya berlaku kejanggalkan atau kegagalan, hentikan penggunaan dengan segera dan cabut palam penyesuai pengecasan

(Kegagalan berbuat demikian boleh menyebabkan penjejakan asap, penyalaan atau kejutan elektrik)

Contoh kejanggalkan dan kegagalan

- Menekan suis operasi tidak menghidupkan pembersih berdiri
 - Menggerakkan penyesuai pengecasan menghidupkan dan mematikan lampu penunjuk status bateri
 - Pembersih berdiri mengeluarkan bunyi yang luar biasa semasa digunakan.
 - Unit utama berubah bentuk dan/atau menjadi sangat panas.
 - Bau "terbakar" dihasilkan daripada unit utama
- Minta pemeriksaan dan pembaikan kepada penjual anda dengan segera.

⚠️ AWAS

■ Bateri (Bateri litium ion boleh dicas semula)



Jangan letakkan item di atas bateri atau letakkan ia di tempat yang anda boleh jatuhkan ia dengan mudah

(Bahaya pemanasan lampau, penyalaan, kejutan elektrik atau kecederaan)



Jika bateri bocor dan cecair terkena pada kulit atau pakaian anda, basuh dengan berhati-hati menggunakan air yang bersih

(Bahaya kerengsaan kulit atau kecederaan)



Simpan unit utama dan bateri di tempat yang bersih dan kering

(Bahaya pemanasan lampau, penyalaan atau kejutan elektrik)



Bateri mesti dikeluarkan daripada alat sebelum ia dibuang (H. MA19)

(Bahaya penyalaan, kejutan elektrik atau kemalangan)

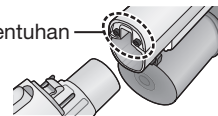
■ Unit utama dan aksesori



Jangan salah kendalikan

- Jangan lempar unit utama
- Jangan seret, golek atau jatuhkan unit utama
- Jika fabrik termaik, penutup berus, pengguling, dsb dari muncung lantai telah haus atau benda asing seperti pasir atau kerikil melekat pada bahagian-bahagian tersebut, jangan gunakan bahagian-bahagian tersebut begitu sahaja → Periksa unit sebelum digunakan, dan jika wujud haus, rujuk tempat pembelian.
(Ini boleh menyebabkan calar pada permukaan lantai)
- Jangan biarkan logam bersentuhan dengan unit utama, batang sambungan, dll.

Sentuhan



- Jangan tarik kord semasa mencabut palam penyesuai pengecasan
(Kegagalan berbuat demikian boleh menyebabkan kejutan elektrik atau penyalaan disebabkan litar pintas)



Jangan biarkan dekat dengan api

(Ekzos boleh menyebabkan api menjadi lebih besar dan meningkatkan risiko kebakaran)



Jangan basuh pembersih vakum dengan air (kecuali aksesori dan bahagian yang boleh dibasuh dengan air) atau menggunakan pembersih vakum di dalam bilik air

(Bahaya kejutan elektrik atau kebakaran)



Pastikan anda mematikan suis operasi apabila menyandarkan pembersih berdiri pada dinding, dll.

(Terdapat risiko kecederaan atau kerosakan pada lantai disebabkan unit utama terjatuh)

Nota Penggunaan Nama Bahagian

Untuk kegunaan jangka masa panjang

Jangan gunakan untuk tujuan perniagaan atau tujuan lain selain memvakum.

- **Jangan gunakan untuk menyedut item berikut atau yang serupa** (Ini boleh menyebabkan pincang tugas dan bau)
 - Penyahlembap bahan kimia
 - Serbuk yang banyak (seperti serbuk di dalam alat pemadam api)
 - Air atau cecair lain
 - Item yang mempunyai kumuhan haiwan peliharaan dan seumpamanya
 - Kaca, pin, jarum, pencungkil gigi
 - Tali panjang
 - Bahan lembap
 - Tepi permaidani (rumbai)
 - Item yang mudah menyekat port sedutan (seperti stoking)
- **Jangan vakum tempat yang mempunyai banyak pasir, pasir untuk haiwan peliharaan atau kelikir dan seumpamanya** (Ini boleh menyebabkan pincang tugas)
- **Jangan vakum dengan hujung unit utama atau batang sambungan** (Ini boleh menyebabkan sentuhan yang lemah dan kerosakan disebabkan haus pada bahagian hujung, dll.)
→ Gunakan nozel teleskop 2 hala dll. (H. MA11)
- **Jangan gunakan untuk jangka masa yang panjang dengan port sedutan tersekat** (Ini boleh menyebabkan pencacatan bentuk disebabkan pemanasan lampau)
→ Keluarkan sampah besar seperti pembalut gula-gula dan kertas tisu, dll., kemudian vakum.
Buang sampah sebelum melebihi garis tahap habuk.
Semasa membuang sampah yang tersumbat, rujuk "Penyelesaian Masalah" (H. MA16).
- **Jangan sekat bolong ekzos** (Ini boleh menyebabkan pencacatan bentuk disebabkan pemanasan lampau)
- **Jangan vakum sampah besar atau memvakum apabila melebihi garis tahap habuk** (Ini boleh menyebabkan penyumbatan pada saluran masuk, batang sambungan, nozel lantai, dll.)
→ Keluarkan sampah besar seperti pembalut gula-gula dan kertas tisu, dll., kemudian vakum.
Buang sampah sebelum melebihi garis tahap habuk.
Semasa membuang sampah yang tersumbat, rujuk "Penyelesaian Masalah" (H. MA16).



Selepas memvakum, periksa bahagian bawah nozel lantai!

Jika sebarang sampah tersangkut atau tersekat, bersihkan. (H. MA14)

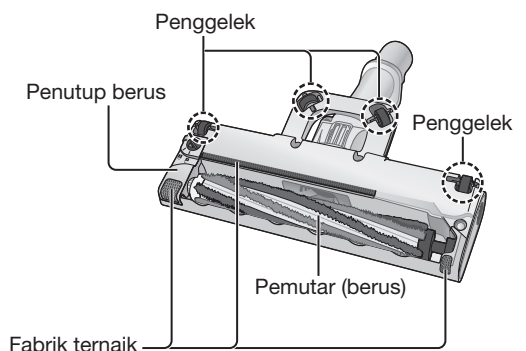
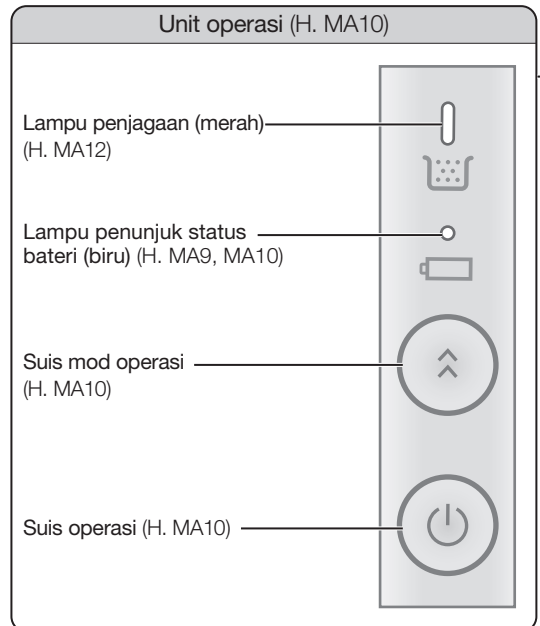
Untuk mengelakkan pemanasan lampau motor dan/atau bateri (peranti perlindungan)

Operasi berterusan dalam keadaan berikut akan mencetus peranti perlindungan yang akan menghentikan dan menyahdayakan pembersih berdiri. (H. MA16)

- Lampu penjagaan (merah) menyala (H. MA12)
- Port sedutan tersekat
- Nozel dan/atau batang sambungan tersekat
- Membiarkan pemutar (berus) di tempat yang sama semasa ia berputar
- Membiarkan pemutar (berus) menyedut objek asing
- Mengendalikan pembersih vakum pada "HIGH" di tempat yang terdapat suhu tinggi

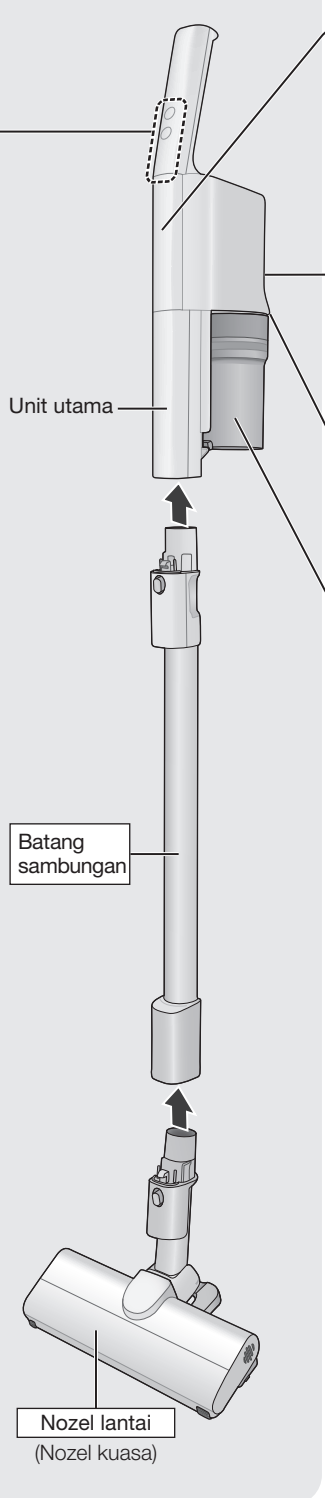
Periksa aksesori yang disertakan.

Bahagian yang terdapat di dalam adalah aksesori yang disertakan.



(Bahagian bawah nozel lantai)

Pembersih berdiri

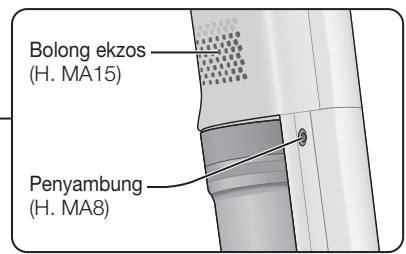


Penutup bateri (H. MA19)

● Bateri diletakkan di dalam.

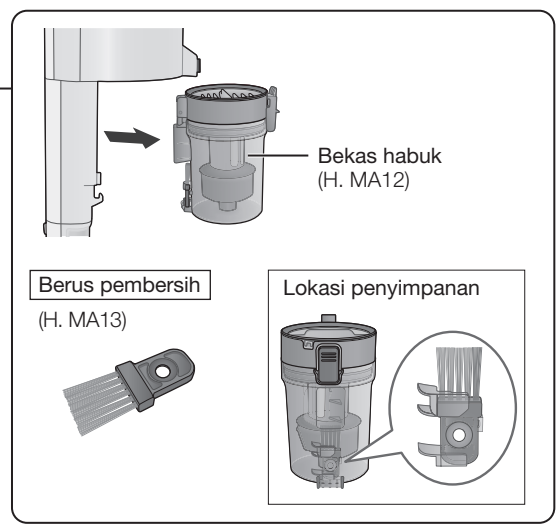
Bateri litium ion boleh dicas semula

- Kapasiti terkadar 1700 mAh
- Bilangan sel 4 sel



Getah Tidak Licin

● Membantu apabila menyandarkan pembersih berdiri pada dinding.

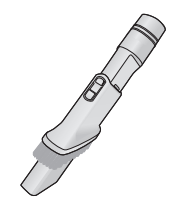
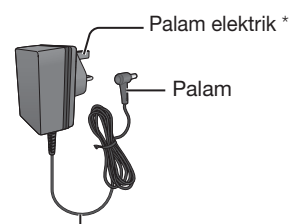


Penyesuai pengecasan

(H. MA8)

Nozel teleskop 2 hala

(H. MA11)



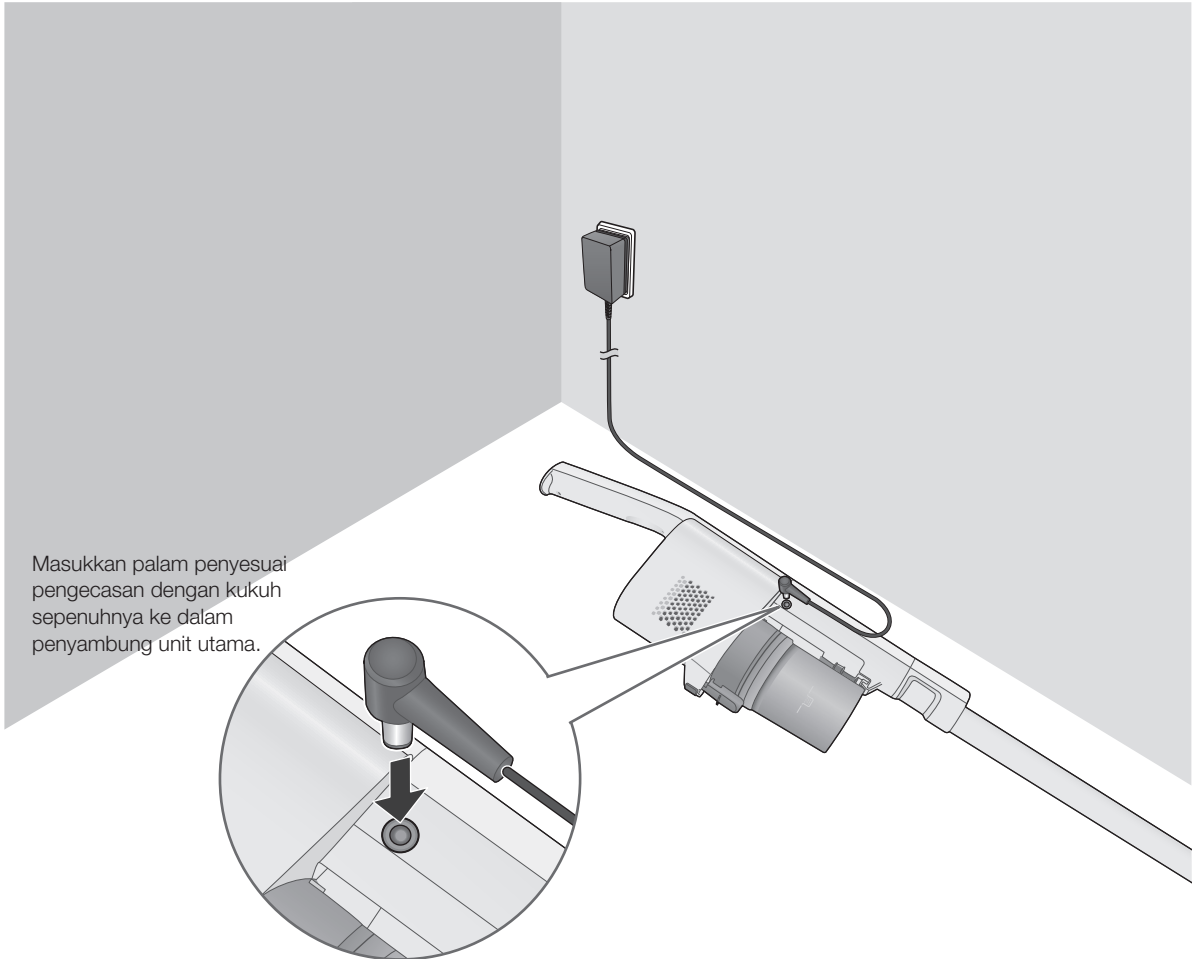
* Palam elektrik mungkin berbeza berbanding ilustrasi.

Pengecasan

Pengecasan

Bateri tidak dicas sepenuhnya pada masa pembelian, jadi sila pastikan untuk mengecas pembersih vakum sebelum digunakan.

(Masa pengecasan: Lebih kurang 3.5 jam)

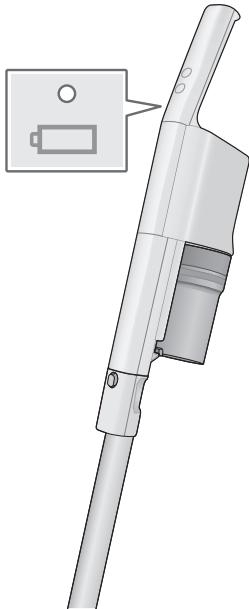


Masukkan palam penyesuai pengecasan dengan kukuh sepenuhnya ke dalam penyambung unit utama.

Permintaan

- Semasa mencabut palam, jangan pegang kord, sebaliknya pegang hujung palam. (Ini boleh menyebabkan pincang tugas kerana wayar terputus)

■ Cara membaca lampu penunjuk status bateri (biru)



Berkelip (biru)
Sedang dicas

Suhu bateri berubah bergantung pada keadaan penggunaan seperti suhu persekitaran dan masa penggunaan, dll. Sekiranya suhu bateri tinggi, maka ia mungkin akan memakan masa lebih lama untuk mengecas kerana ia menunggu secara automatik sehingga mencapai suhu yang sesuai untuk dicas. (Maksimum kira-kira 5 jam)



Terpadam
Pengecasan selesai

Ia terpadam apabila pengecasan selesai.

- Terdapat kejanggalan apabila ia berkelip dengan cepat (selang kira-kira 0.3 saat).

Rujuk "Penyelesaian Masalah" (H. MA17)

Untuk membantu dalam menjadikan bateri tahan lebih lama

- Apabila tidak digunakan selama sebulan atau lebih, cas sepenuhnya dan simpan serta pastikan anda mengecas sekurang-kurangnya setahun sekali. (Jika bateri disimpan tanpa sebarang baki kuasa, ia mungkin tidak dapat dicas lagi atau prestasi serta jangka hayat bateri mungkin berkurang)
- Apabila pembersih berdiri berhenti beroperasi semasa memvakum kerana kehabisan bateri, operasi dapat disambung semula untuk waktu yang singkat dengan menekan semula suis operasi. Walau bagaimanapun, jangan kendalikan dengan cara ini berulang kali. Berbuat demikian memendekkan hayat perkhidmatan bateri.
- Pastikan anda mengecas bateri di tempat bersuhu bilik antara 5 °C hingga 35 °C. Bateri tidak dapat dicas dengan betul di tempat bersuhu bilik yang rendah atau bersuhu tinggi seperti di bawah cahaya matahari langsung. Masa operasi mungkin menjadi lebih pendek atau masa pengecasan mungkin menjadi lebih lama.

Permintaan

- Apabila lampu penunjuk status bateri (biru) tidak menyala atau apabila ia terpadam dengan serta-merta, cabut palam penyesuai pengecasan daripada unit utama, kemudian pasang semula.
- Sekiranya menggunakan pembersih vakum buat pertama kali, jika ia tidak digunakan 6 bulan atau lebih lama, oleh sebab bateri mungkin terlebih nyahcas, masa penggunaan mungkin pendek, jadi pastikan untuk mengecas sebelum menggunakan pembersih vakum.
- Sekiranya radio dan TV terganggu oleh gangguan elektrik, maka alihkan radio dan TV daripada penyesuai pengecasan sejauh 1 m atau lebih.

Nota

- Unit utama dan penyesuai pengecasan menjadi panas semasa pengecasan, tetapi ini adalah normal.
- Masa operasi berbeza-beza bergantung pada suhu bateri dan keadaan servis.
- Penyesuai pengecasan menggunakan sekitar 0.3 W kuasa walaupun ia tidak disambungkan ke unit utama.
- Penyesuai pengecasan mungkin menghasilkan sedikit bunyi, tetapi ini adalah normal.
- Pembersih berdiri tidak boleh digunakan semasa pengecasan. Untuk menggunakan, cabut palam penyesuai pengecasan daripada unit utama.

Pemvakuman

1

Untuk memulakan proses

Tekan  (Operasi bermula dalam mod "ON")

Berus nozel lantai berputar
(Putaran tidak boleh dihentikan)

■ Untuk mengubah kekuatan



Mod operasi berubah
setiap kali butang ditekan.

HIGH ↔ ON

ON : Pemvakuman normal

HIGH : Untuk memvakum dengan kuasa sedutan
yang tinggi

2

Untuk mematikan
pembersih vakum

Tekan 

3

Cas bateri selepas
digunakan. (H. MA8)

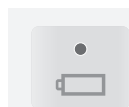
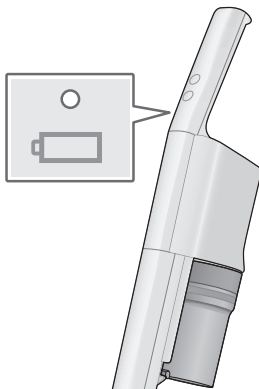


Permintaan

- Jangan kenakan tekanan pada nozel, dan gerakkan dengan lembut dan perlahan-lahan di sepanjang karpet tatami dan lantai kayu. Gerakkan ke depan dan belakang di atas permaidani. Sampah dapat disedut dengan mudah dengan menarik nozel ke arah diri anda. (Apabila memvakum lantai yang lembut dan mudah tercalar seperti lantai sedar, sipres dan vinil, dll. dan semasa lilin lantai dan bahan cuci lantai penggilap digunakan di atas lantai, lantai mungkin tercalar.)

■ **Lampu penunjuk status bateri menyala untuk memaklumkan anda!**

Ini menunjukkan baki paras bateri semasa anda memvakum.



Menyala (biru)

Kuasa bateri mencukupi. Anda boleh memvakum.



Berkelip (biru)

Kuasa bateri lemah. Cas bateri. (H. MA8)

Nota

- Sekiranya bateri habis semasa operasi, peranti pencegahan pelepasan berlebihan akan menghentikan bateri secara automatik.

Teknik Pembersihan...

Gunakan nozel yang berbeza untuk menyesuaikan mengikut tempat yang akan divakum.

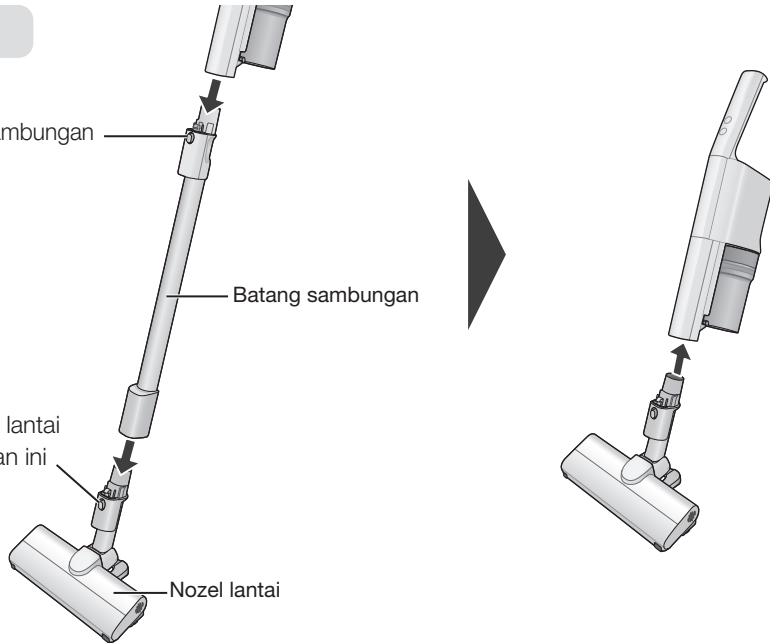
Permintaan ● Jangan gunakan pada permukaan berkilat seperti piano. (Berbuat demikian boleh mencalarkan permukaan)

Sebagai pembersih yang mudah digunakan cleaner

Nozel lantai

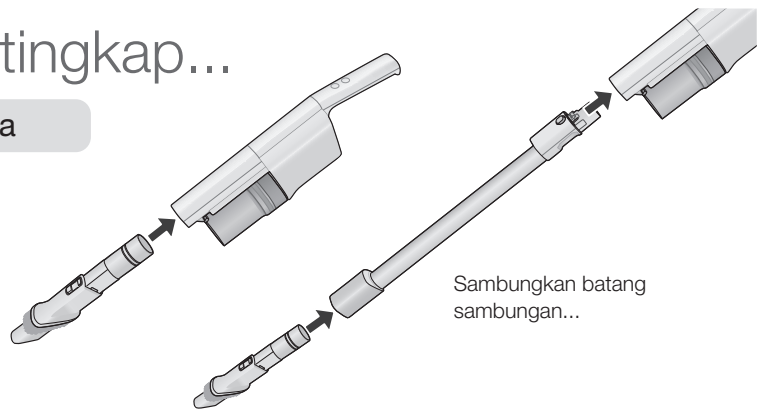
Tanggalkan batang sambungan semasa menekan ini

Keluarkan nozel lantai semasa menekan ini



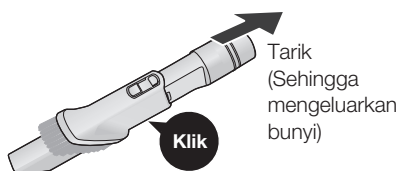
Untuk bingkai tingkap...

Nozel teleskop 2 hala

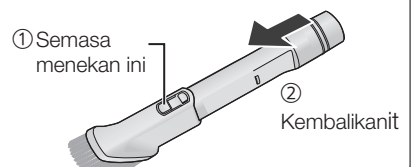


Sambungkan batang sambungan...

<Cara memanjangkan berus>



<Cara menolak berus masuk ke dalam semula>



Kosongkan bekas habuk/Penyelenggaraan

Kosongkan bekas habuk

Periksa Tahap Habuk ()

Sebagai panduan, seminggu sekali



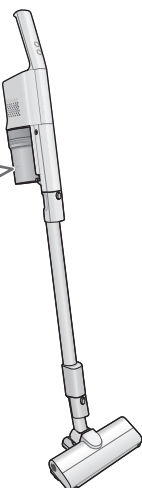
Buang sampah sebelum melebihi garis tahap habuk!



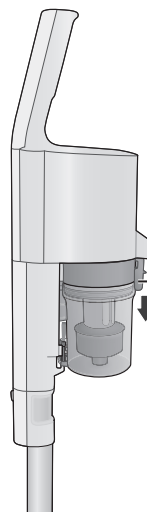
Tempoh bekas habuk penuh berbeza-beza bergantung pada jenis sampah.

Nota

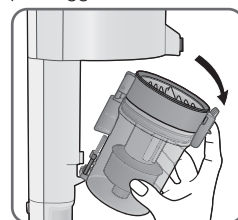
- Pada permaidani baharu, bekas habuk penuh dengan cepat disebabkan tuf yang tertanggal. (Tuf tertanggal akan berkurang mengikut bilangan pemvakuman)



1 Tanggalkan bekas habuk



Tanggalkan sambil menurunkan butang penanggalan



Penyelenggaraan (Bekas habuk)

Pada ketika ini, bersihkan bekas (di sebelah kanan).

- Walaupun sampah sudah dibuang, kuasa sedutan tidak pulih...
- Lampu penjagaan (merah) menyala...

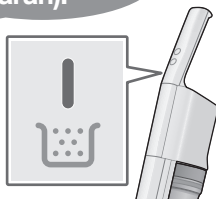


Lampu memberitahu anda tentang masa penjagaan (anggaran)!

Lampu tidak menyala dalam operasi "ON".

Nota

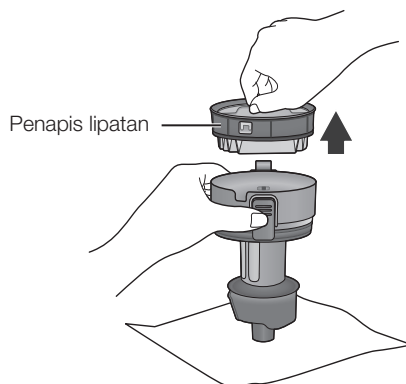
- Apabila situasi seperti berikut, lampu mungkin tidak menyala walaupun dipenuhi dengan sampah.
 - Apabila terdapat banyak sampah bulu haiwan peliharaan dan kapas (Periksa terus jumlah sampah yang terkumpul)
- Pada masa berikut, lampu mungkin menyala walaupun ada sedikit sampah.
 - Apabila terdapat banyak pasir dan kekotoran (buang sampah)
 - Apabila batang sambungan/nozel tersumbat dengan sampah (Keluarkan sampah)
 - Apabila menggunakan muncung nozel teleskop 2 hala (periksa terus jumlah sampah yang terkumpul)



Penanggalan

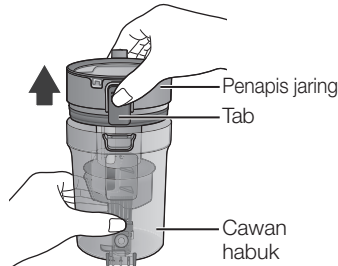
1 Buang sampah (lihat di atas)

2 Angkat penapis lipatan untuk mengeluarkan bekas habuk itu

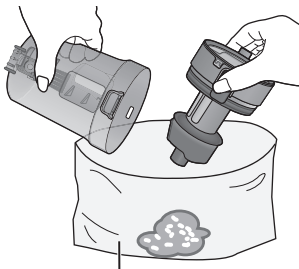


2 Buang sampah dan habuk untuk pembersihan

1 Tanggalkan sambil menekan tab penapis jaring



2 Bersihkan serpihan



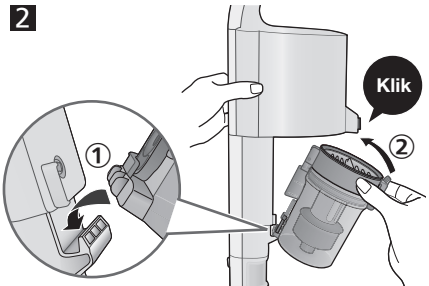
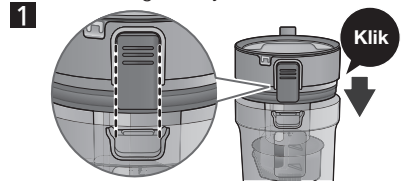
Permintaan

- Sekiranya sukar untuk mengeluarkan sampah, getarkan cawan habuk dengan mengetuk cawan secara perlahan-lahan, dll.

Jika rambut, dll. tersangkut di sekeliling dan sampah tidak boleh dibuang, maka bersihkan (bekas habuk).

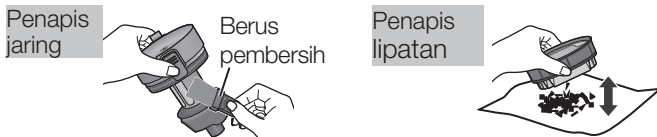
3 Tetapkan bekas habuk

Tekan dengan kuat sehingga anda mendengar bunyi "klik"



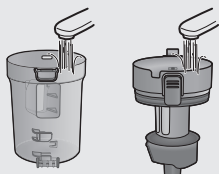
- Jika bekas habuk tidak dipasang dengan kukuh, ia tidak akan menyedut serpihan.

Pembersihan



la juga boleh dicuci dengan air apabila anda risau tentang kotoran

(Keringkan dengan secukupnya, kemudian masukkan kembali)



Rendam dalam air (lebih kurang 30 minit)

Basuh dengan air yang mengalir (Jangan gosok dengan berus, dll.)

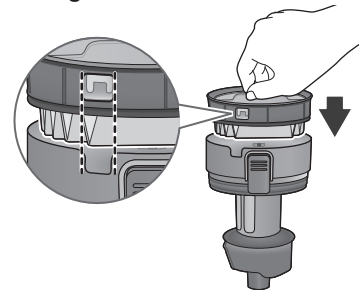
Permintaan

- Jangan gunakan bahan cuci, benzena, pencair, alkohol, dll. (Boleh menyebabkan retakan dan penyahwarnaan)
- Biarkan di tempat dengan pengudaraan yang baik kira-kira 24 jam, dan biarkan sehingga ia betul-betul kering. (Tidak berbuat demikian boleh menyebabkan ia berbau dan tersumbat)
- Jangan dedahkan kepada aliran udara panas daripada pengering rambut dan seumpamanya. (Boleh menyebabkan pencacatan bentuk dan kegagalan)

Pemasangan

- Pasang dalam turutan terbalik bagi penanggalan

1 Tetapkan penapis lipatan ke dalam mengikut ilustrasi



2 Tetapkan penapis jaring dalam cawan habuk dan pasang bekas habuk pada unit utama

Penyelenggaraan (Bersambung)

Apabila kuasa sedutan semakin lemah / Apabila penyelenggaraan diperlukan

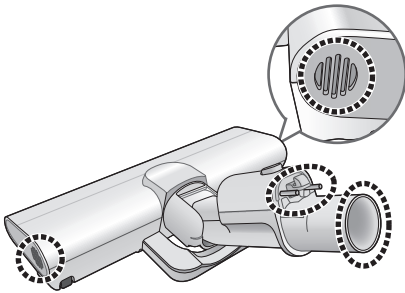
Pastikan anda mematikan suis operasi dan cabut palam penyusai pengecasan sebelum melakukan penyelenggaraan.

Nozel lantai

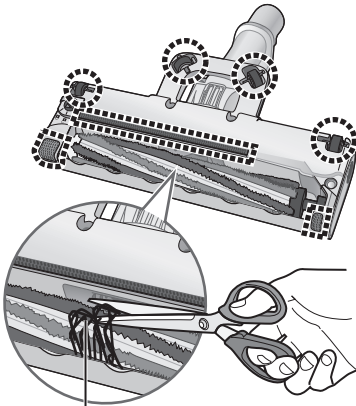
Buang sampah dari kawasan 



Kecuali untuk pengaduk (berus)



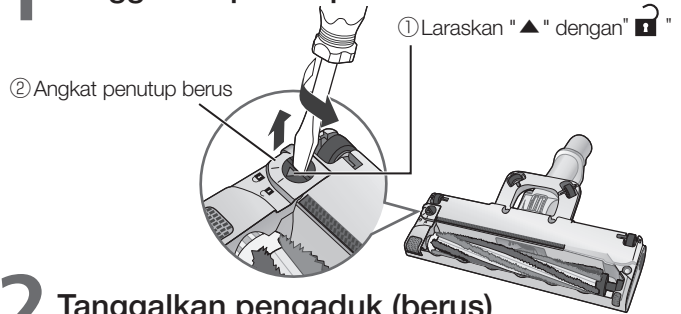
● Gunakan penyepit atau gunting, dll. untuk mengeluarkan sampah yang tersangkut, dll.



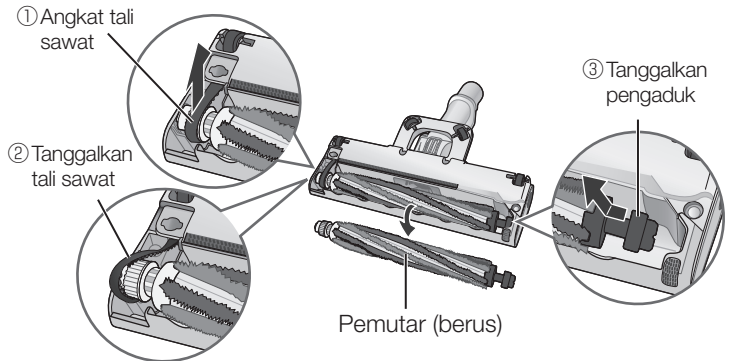
Potong serpihan yang tersangkut, dll. dengan gunting di sepanjang alur.

■ Apabila anda ingin mencuci pengaduk dengan air

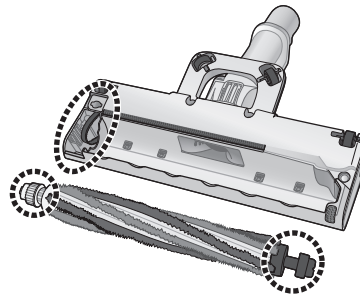
1 Tanggalkan penutup berus



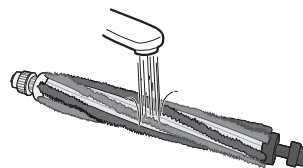
2 Tanggalkan pengaduk (berus)



3 Keluarkan sampah dari kawasan tersebut

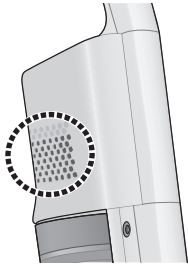


4 Cuci pengaduk (berus) dengan air



Bolong ekzos

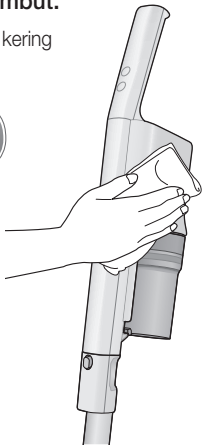
Buang sampah dari kawasan



Unit utama/Batang sambungan

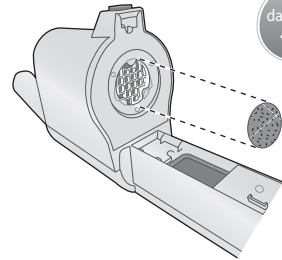
Lapkan dengan kain lembap yang lembut.

- Perah kering



Prapenapis

Tepuk habuk atau bilas.



- Pastikan anda meletakkan semula selepas penyelenggaraan.

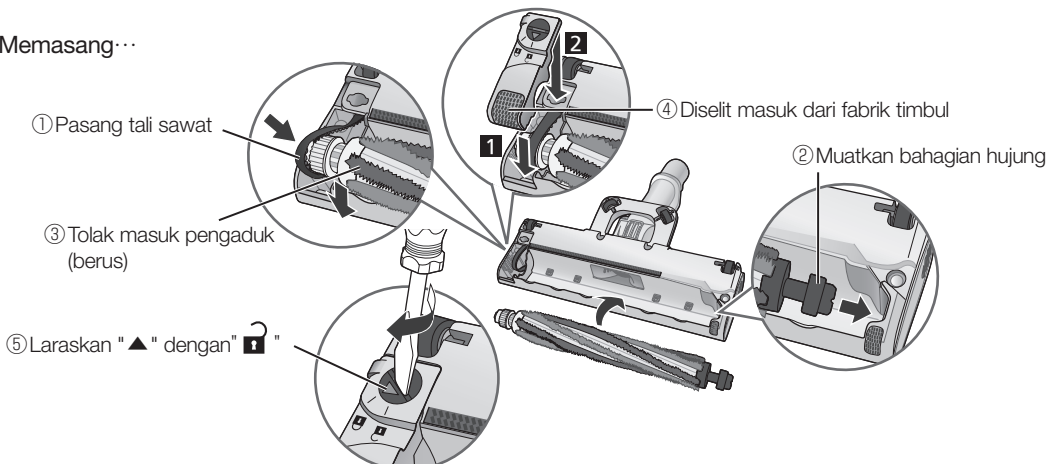
Bekas habuk (H. MA14)

- Kelutsinaran cawan habuk berkurangan dengan bilangan ia dibersihkan, tetapi tindakan tersebut tidak menjejaskan prestasi.

Permintaan

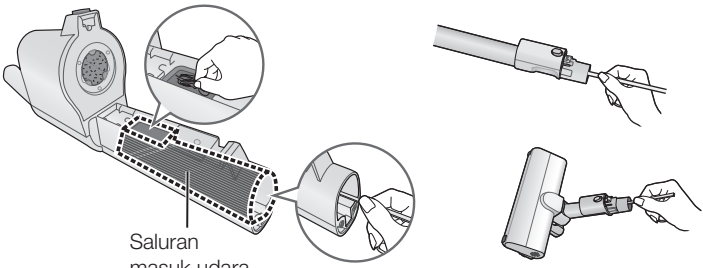
- Apabila dicuci dengan air...
 - Pastikan untuk salirkan air dan keringkan dengan betul. (Kegagalan untuk berbuat demikian boleh menyebabkan bau dan tersumbat)
 - Jangan dedahkan kepada aliran udara panas daripada pengering rambut dan seumpamanya. (Pemutar (berus): Boleh menyebabkan perubahan bentuk dan kegagalan) (Prapenapis : Boleh menyebabkan penembusan sampah dan kegagalan kerana pengecutan penapis)
- Jangan gunakan bahan cuci, benzena, pencair, alkohol, dll. (Boleh menyebabkan retakan dan penyahwarna)
- Semasa menggunakan pengelap, ikut arahan.

Memasang...



Penyelesaian Masalah

Sila periksa item berikut sebelum menghubungi peruncit untuk pembaikan.

Masalah	Semak di sini
<p>Pembersih vakum tidak boleh dikendalikan</p>	<ul style="list-style-type: none"> ▶ ● Adakah bateri sudah habis? (H. MA8)
<p>Kuasa sedutan semakin lemah atau pembersih vakum berhenti beroperasi walaupun tidak melakukan apa-apa</p>	<ul style="list-style-type: none"> ▶ ● Untuk mengelakkan motor terlalu panas, adakah peranti pelindung berfungsi? <ul style="list-style-type: none"> → ① Matikan suis operasi ② Tunggu selama 5 hingga 30 minit (motor menyejuk, dan peranti pelindung dilepaskan) ③ Siasat punca (H. MA6) peranti pelindung berfungsi <ul style="list-style-type: none"> • Dikendalikan secara berterusan dengan habuk yang banyak terkumpul di dalam bekas habuk <ul style="list-style-type: none"> → Buang sampah di dalam bekas habuk, dan bersihkan bekas (H. MA12) • Batang sambungan dan nozel tersumbat dengan sampah <ul style="list-style-type: none"> → Buang sampah • Digunakan dengan benda asing yang terbelit di dalam pemutar (berus) <ul style="list-style-type: none"> → Keluarkan benda asing
<p>Pemutar (berus) nozel lantai berhenti bergerak</p>	<ul style="list-style-type: none"> ▶ ● Untuk mengelakkan bateri terlalu panas, adakah peranti pelindung berfungsi? <ul style="list-style-type: none"> → ① Matikan suis operasi ② Tunggu selama 5 hingga 30 minit (bateri menyejuk, dan peranti pelindung dilepaskan) ③ Siasat punca (H. MA6) peranti pelindung berfungsi <ul style="list-style-type: none"> • Dikendalikan secara berterusan dengan habuk yang banyak terkumpul di dalam bekas habuk <ul style="list-style-type: none"> → Buang sampah di dalam bekas habuk, dan bersihkan bekas (H. MA12) • Batang sambungan dan nozel tersumbat dengan sampah <ul style="list-style-type: none"> → Buang sampah ▶ ● Jika pembersih vakum dikendalikan secara berterusan dalam operasi "HIGH" di tempat yang bersuhu tinggi, peranti perlindungan mungkin berfungsi, dan pembersih vakum mungkin berhenti beroperasi. <hr/> <ul style="list-style-type: none"> ▶ ● Adakah anda menggunakan pembersih vakum sehingga nozel lantai terjatuh? <ul style="list-style-type: none"> → Angkat nozel lantai ke atas sekali, dan perlahan-lahan turunkan nozel. ▶ ● Adakah sampah atau tali terlilit atau menyekat pemutar (berus)? (H. MA14) ▶ ● Bergantung pada jenis permukaan lantai, seperti permaidani berbulu panjang, pemutar (berus) mungkin tidak berputar atau mungkin perlahan.
<p>Kuasa sedutan daripada nozel lantai lemah</p>	<ul style="list-style-type: none"> ▶ ● Adakah ia penuh dengan sampah? ▶ ● Adakah bekas habuk tersumbat? <ul style="list-style-type: none"> → Bersihkan (H. MA12)
<p>Kuasa sedutan lemah walaupun dalam mod operasi "HIGH"</p> <p>Kuasa sedutan semakin lemah semasa pembersih vakum dikendalikan</p>	<ul style="list-style-type: none"> ▶ ● Matikan suis operasi, dan cuba semula mengendalikan pembersih vakum. ▶ ● Adakah setiap penapis tersumbat? <ul style="list-style-type: none"> → Bersihkan (H. MA12, MA15) ▶ ● Adakah bekas habuk dipasang dengan betul? ▶ ● Adakah peranti perlindungan berfungsi? (H. MA16) ▶ ● Adakah saluran masuk udara, batang sambungan dan nozel lantai tersumbat dengan sampah? <ul style="list-style-type: none"> → Keluarkan sampah yang tersumbat menggunakan batang nipis, dll. <div style="text-align: center;">  <p>Saluran masuk udara</p> </div>

Operasi dan kuasa sedutan

Masalah	Semak di sini
Lampu penunjuk status bateri (biru) tidak menyala	<ul style="list-style-type: none"> ● Adakah penyesuai pengecasan dipasang dengan kukuh ke dalam saluran keluar? ● Adakah palam penyesuai pengecasan dimasukkan dengan kukuh ke dalam penyambung unit utama?
Lampu penunjuk status bateri (biru) tidak terpadam (Tempoh pengecasan panjang)	<ul style="list-style-type: none"> ● Tempoh pengecasan mungkin paling lama mengambil masa hingga 5 jam bergantung pada keadaan penggunaan seperti suhu persekitaran dan masa penggunaan. ● Sekiranya lampu penunjuk status bateri tidak terpadam walaupun bateri dicas selama 5 jam atau lebih, oleh itu peranti boleh dianggap rosak, rujuk penjual tempat ia dibeli.
Lampu penunjuk status bateri berkelip dengan cepat (selang kira-kira 0.3 saat)	<ul style="list-style-type: none"> ● Adakah palam penyesuai pengecasan dimasukkan dengan kukuh ke dalam penyambung unit utama? → Cabut palam daripada unit utama, dan masukkan semula ● Adakah terdapat sebarang benda asing pada penyambung unit utama atau palam penyesuai pengecasan? → Buang benda asing ● Adakah bateri dicas di tempat bersuhu persekitaran tinggi atau rendah? → Cas di tempat bersuhu bilik antara 5 °C hingga 35 °C (H. MA9) ● Adakah penyesuai pengecasan khusus sedang digunakan? ● Adakah bateri dipasang? (H. MA19)
Masa operasi adalah pendek walaupun ia dicas	<ul style="list-style-type: none"> ● Walaupun lampu penunjuk status bateri (biru) berdenyut, bateri mungkin tidak dicas. (Bateri tidak boleh beroperasi) Jika suhu bateri tinggi, seperti sejurus selepas bateri dikendalikan, bateri tidak akan dicas walaupun lampu penunjuk status bateri (biru) berdenyut kerana bateri secara automatik berada dalam keadaan bersedia untuk dicas sehingga suhu yang sesuai untuk pengecasan dicapai. → Cas sehingga lampu penunjuk status bateri (biru) terpadam ● Adakah bateri dicas di tempat bersuhu persekitaran tinggi atau rendah? → Cas di tempat bersuhu bilik antara 5 °C hingga 35 °C (H. MA9) ● Apabila masa penggunaan menjadi sangat singkat walaupun telah dicas dengan betul, jangka hayat bateri akan habis. (Jangka hayat bateri berbeza-beza bergantung pada keadaan penggunaan seperti suhu persekitaran dan masa penggunaan) → Gantikan bateri (H. MA19)

Penyelesaian Masalah (Bersambung)

Sila periksa item berikut sebelum menghubungi peruncit untuk pembaikan.

	Masalah	Semak di sini
Lampu Penjagaan (merah)	Lampu menyala walaupun terdapat sampah yang sangat sedikit	<ul style="list-style-type: none"> ● Apabila situasi seperti berikut, lampu menyala, tetapi tiada penyimpangan. <ul style="list-style-type: none"> • Apabila pasir dan kekotoran, dll. disedut secara tertumpu. <ul style="list-style-type: none"> → Bersihkan bekas habuk (H. MA12) • Apabila batang sambungan dan nozel tersumbat dengan sampah <ul style="list-style-type: none"> → Keluarkan sampah • Apabila menggunakan nozel teleskop 2 hala (H. MA11)
	Lampu tidak menyala walaupun terdapat sampah yang sangat banyak	<ul style="list-style-type: none"> ● Apabila terdapat banyak sampah bulu haiwan peliharaan dan kapas, lampu mungkin tidak menyala, tetapi ini bukan penyimpangan. <ul style="list-style-type: none"> → Buang sampah dalam bekas habuk (H. MA12) ● Lampu tidak menyala dalam operasi "ON". <ul style="list-style-type: none"> → Periksa jika ia dalam operasi "HIGH"
Bunyi	Pengendalian menghasilkan bunyi kuat dan bising ("Konk, konk" dll.).	<ul style="list-style-type: none"> ● Adakah penapis jaring dan penapis lipatan tersumbat? <ul style="list-style-type: none"> → Bersihkan (H. MA12) ● Adakah batang sambungan dan nozel tersumbat dengan sampah? ● Adakah hujung nozel tersekat?
Bau	Bau sampah datang daripada ekzos	<ul style="list-style-type: none"> ● Adakah anda meninggalkan vakum yang dipenuhi dengan sampah yang berbau kuat di dalam vakum? <ul style="list-style-type: none"> → Sekiranya anda risau dengan operasi berulang ini, buang sampah (H. MA12) → Bersihkan setiap penapis (H. MA12, MA15)
	Jika kejanggalan berterusan walaupun selepas pemeriksaan	<ul style="list-style-type: none"> ● Bawa produk (unit utama, batang sambungan, nozel lantai, bateri dan penyesuai pengecasan) bersama-sama waranti kepada penjual anda.

Pelupusan Produk

■ Bateri litium ion boleh dicas semula dalam produk ini ialah item guna habis.

Jika masa penggunaan berkurangan secara mendadak walaupun setelah ia dicas dengan betul, ini bermaksud bateri tersebut telah mencapai penghujung jangka hayat bateri.

Jika bateri perlu digantikan, sila hubungi penjual anda atau pusat servis gabungan Panasonic.

Untuk mengelakkan pemasangan salah yang akan menyebabkan pincang tugas produk atau menyebabkan bahaya, jangan gantikan bateri sendiri.

Perihal bateri litium ion boleh dicas semula

Masa boleh guna berkurangan apabila anda menggunakan unit tersebut berulang kali. Hayat bateri bergantung pada faktor seperti suhu persekitaran dan jumlah masa ia digunakan serta tempoh kitaran pengecasan/nyahcas akan menjadi semakin pendek bergantung pada keadaan penggunaan.

Bateri yang digunakan tidak boleh ditanggalkan dan dilupuskan bersama dengan sisa isi rumah biasa. Sila bawa bateri ke tempat pengumpulan yang sesuai mengikut peraturan perbandaran anda. Untuk mendapatkan maklumat lanjut, hubungi penjual atau pihak berkuasa tempatan anda yang bertanggungjawab dalam pengurusan sisa.

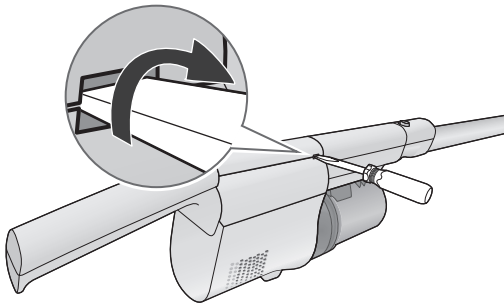
Pengendalian bateri yang telah digunakan

- Tebatkan terminal soket dengan pita selofon atau pita vinil, dll.
- Jangan tanggalkan bateri.

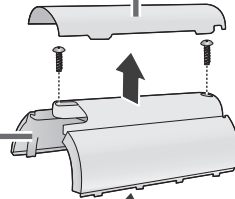
Permintaan

- Sebelum menanggalkan bateri, kendalikan unit utama berulang kali sehingga bateri habis sepenuhnya.
- Alat mesti diputuskan sambungan daripada sumber bekalan elektrik semasa mengeluarkan bateri.
- Bateri hendaklah dilupuskan dengan selamat.

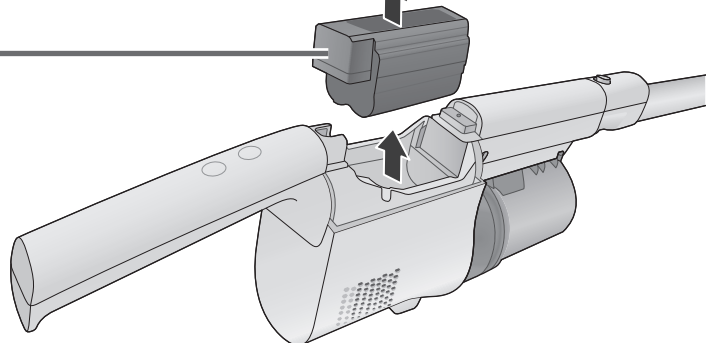
1 Tanggalkan penutup bateri A



2 Tanggalkan penutup bateri B



3 Keluarkan bateri



Spesifikasi

Dimensi	(Pembersih berdiri) L 220 mm × D 168 mm × T 1093 mm			
	(Unit utama) L 88 mm × D 162 mm × T 431 mm			
Berat	1.3 kg (Pembersih berdiri)			
	0.9 kg (Unit utama<Termasuk bateri>)			
Kapasiti habuk	0.15 L (Sehingga garis tahap habuk)			
	0.3 L (Maksimum)			
Bateri digunakan	Bateri litium ion boleh dicas semula No. Model AVA97V-1AH		Voltan nominal	14.4 V $\overline{\text{---}}$
			Kapasiti terkadar	1700 mAh
			Bilangan sel	4 sel
Masa operasi berterusan*	ON	Lebih kurang 15 minit (Semasa menggunakan nozel lantai)		
		Lebih kurang 30 minit (Apabila menggunakan muncung nozel teleskop 2 hala)		
	HIGH	Lebih kurang 6 minit (Semasa menggunakan nozel lantai)		
Penyesuai pengecasan	No. Model	AVA61V-1AH (Untuk Hong Kong, Malaysia, Singapura) AVA61V-1A1 (Untuk Vietnam)		
	Input	100-240 V \sim 50-60 Hz 0.35-0.2 A (Penggunaan kuasa: Pengecasan - Lebih kurang 11 W, Ditanggalkan daripada unit utama - Lebih kurang 0.3 W)		
	Output	16.5 V $\overline{\text{---}}$ 0.7 A		
	Masa pengecasan	Lebih kurang 3.5 jam. (Apabila dicas daripada kosong pada suhu persekitaran 20 °C)		
	Panjang kord	1.5 m		
Accessories	<ul style="list-style-type: none"> • Batang sambungan (1) • Nozel lantai (1) • Penyesuai pengecasan (1) • Nozel teleskop 2 hala (1) • Berus pembersih (1) 			

* Dicas sepenuhnya, kapasiti permulaan bateri/pada suhu persekitaran 20 °C

Maklumat Pengecasan untuk pek bateri

Spesifikasi Nominal		
Item	Spesifikasi	Catatan
Arus Pengecasan	0.7 A	–
Voltan Pengecasan	16.54 V	–
Arus potong pengecasan	100 mA	–
Persekitaran (Cas)	0 – 45 °C	–
Had Cas		
Model Pek Bateri	Arus Cas Maksimum, A	Voltan Cas Maksimum, V
AVA97V-1AH	1.1 A	16.7 V

Hướng dẫn Sử dụng

Máy hút bụi không dây (Sử dụng trong gia đình)

Số Model **MC-SB33J**

Cảm ơn bạn đã mua sản phẩm này của Panasonic.

- Vui lòng đọc kỹ hướng dẫn này trước khi sử dụng sản phẩm và lưu lại hướng dẫn sử dụng này để sử dụng trong tương lai.
- Vui lòng đọc "Biện pháp an toàn" (Trang 4 đến 5) cẩn thận trước khi sử dụng sản phẩm.
- Hình ảnh, hình minh họa, màu sắc, v.v. được sử dụng cho mục đích minh họa và có thể khác một chút so với sản phẩm thực tế.



: Biểu tượng này có nghĩa là chỉ sử dụng trong nhà.

Thiết bị này sử dụng pin mà chỉ có thể được thay thế bởi người có kỹ năng chuyên môn.

Mục lục

- VI4 **Biện pháp an toàn**
- VI6 Lưu ý khi sử dụng
- VI6 Tên các Bộ phận
- VI8 Sạc
- VI10 Hút bụi
- VI12 Vệ sinh hộp đựng bụi
- VI12 Bảo trì
- VI16 Khắc phục Sự cố
- VI19 Thải bỏ sản phẩm
- VI20 Thông số kỹ thuật

Biện pháp an toàn

Vui lòng tuân thủ tất cả các hướng dẫn

Phần này mô tả các biện pháp đảm bảo an toàn mà người sử dụng phải tuân thủ để ngăn ngừa thương tích cá nhân và/hoặc thiệt hại tài sản.

■ Mức độ nguy hiểm và thiệt hại có thể xảy ra khi máy được sử dụng không đúng cách được hướng dẫn và chỉ định như hình dưới đây.

■ Các ký hiệu sau đây cho biết những gì mà bạn cần phải quan sát.

⚠️ NGUY HIỂM

Cho biết nguy cơ bị thương tích nặng hoặc tử vong cao.

⚠️ CẢNH BÁO

Cho biết nguy cơ bị thương tích nặng hoặc tử vong.

⚠️ THẬN TRỌNG

Cho biết nguy cơ bị thương tích hoặc thiệt hại tài sản.



Cho biết các hành động bị cấm.



Cho biết các hành động phải được thực thi.

⚠️ NGUY HIỂM

■ Pin (Pin lithi-ion sạc lại được)



Không sử dụng sai cách

- Không sử dụng cho máy khác ngoài MC-SB33J
- Không sử dụng pin hoặc bộ sạc không phải là pin lithi-ion sạc lại được và bộ sạc chính hãng
(Sự cố quá dòng có thể gây rò rỉ chất lỏng, quá nhiệt hoặc nổ)
- Không vút bỏ pin vào lửa hoặc để pin tiếp xúc với nhiệt
- Không sạc, sử dụng hoặc đặt máy ở những nơi có nhiệt độ cao, bao gồm đặt gần lửa hoặc trong thời tiết nóng
(Nguy cơ rò rỉ chất lỏng, quá nhiệt, bắt lửa hoặc nổ)
- Không đâm thủng máy bằng đinh hoặc để máy va đập. Không tháo rời hoặc thay đổi
- Không để máy tiếp xúc với nước hoặc các chất lỏng khác
(Nguy cơ rò rỉ chất lỏng, quá nhiệt, bắt lửa hoặc điện giật)
- Tránh làm đoản mạch bằng cách để kim loại hoặc vật liệu khác tiếp xúc với các đầu nối của ổ cắm
- Không vận chuyển hoặc bảo quản bằng các vật làm bằng kim loại như vòng cổ hoặc kẹp tóc
(Sự cố ngắn mạch có thể gây ra hiện tượng rò rỉ chất lỏng, quá nhiệt hoặc bắt lửa)

■ Bộ phận chính và các phụ tùng



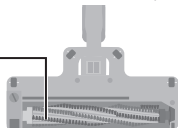
Không tháo rời, sửa chữa hoặc sửa đổi bộ phận này

(Nguy cơ điện giật hoặc cháy)



Không chạm vào bàn chải xoay của đầu vòi hút sàn

Bộ phận làm tơi (chổi)



(Có nguy cơ bị kẹt ngón tay và bị thương)

▶ Đặc biệt, hãy chú ý đến trẻ em.

⚠️ CẢNH BÁO



Không hút chất dễ cháy, vật đang cháy

(Nguy cơ cháy nổ)

Thuốc lá, mực photocopy, dầu hỏa, chất pha loãng, v.v.



Không sử dụng sai cách

- Không cắm hoặc rút phích cắm bộ sạc khi tay ướt
(Nguy cơ bị điện giật)
- Không được làm hỏng bộ sạc
(Không để bộ sạc cuốn vào chốt của đầu hút sàn, không được làm hỏng bộ sạc, sửa đổi bộ sạc, hay để bộ sạc gần các thiết bị sưởi, không bẻ cong, vặn bộ sạc, không kéo bộ sạc quá mạnh cũng như không đặt vật nặng lên bộ sạc và không nên sử dụng bộ sạc khi nó đang bị gập, v.v.)
(Các hành động như trên có thể dẫn đến điện giật hoặc bắt lửa do đoản mạch)
→ Để sửa chữa, hãy tham khảo ý kiến của đơn vị bán sản phẩm cho bạn.
- Không làm quá tải ổ cắm hoặc thiết bị đi dây
(Vượt quá giá trị định mức do có quá nhiều phích cắm và những thứ tương tự được kết nối có thể dẫn đến cháy do sinh nhiệt)
- Không sử dụng bộ sạc để sạc pin mà không phải là của sản phẩm này hoặc pin không sạc lại được
(Làm như vậy có thể dẫn đến rò rỉ pin, sinh nhiệt hoặc cháy nổ do dòng điện vượt quá)
- Không sử dụng bộ sạc đã bị hỏng
(Làm như vậy có thể dẫn đến cháy do sinh nhiệt hoặc bắt lửa)
- Không được làm đoản mạch đầu nối bộ phận chính hoặc phích cắm bộ sạc bằng vật làm bằng kim loại.
(Sự cố ngắn mạch có thể gây ra hiện tượng rò rỉ chất lỏng, quá nhiệt hoặc bắt lửa)



Sử dụng bộ sạc đúng cách

- Cắm hoàn toàn vào ổ cắm
(Nếu không làm như vậy, có thể dẫn đến điện giật hoặc cháy do sinh nhiệt)
- Phải rút phích cắm ra khỏi ổ cắm trước khi vệ sinh hoặc bảo trì máy
(Nguy cơ bị điện giật)
- Thường xuyên lau sạch bụi bằng khăn khô
(Bụi tích tụ có thể làm cho khả năng cách nhiệt kém do hơi ẩm, có thể dẫn đến cháy)

⚠ CẢNH BÁO

■ Pin (Pin lithi-ion sạc lại được)



Không chạm vào pin bằng tay ướt

(Nguy cơ quá nhiệt, bắt lửa hoặc điện giật)



Nếu chất lỏng trong pin dính vào mắt, hãy rửa ngay bằng nước sạch (Không dụi mắt)

(Nguy cơ bị mù lòa)

→ Cần chăm sóc y tế ngay lập tức.



Nếu gói pin bị rò rỉ, hãy đặt pin vào một túi nhựa kín và tái chế một cách an toàn theo quy định của khu dân cư của bạn

(Chất lỏng có thể tiếp xúc với da dẫn đến kích ứng da hoặc gây chấn thương)



Với mục đích sạc pin, chỉ sử dụng bộ sạc đi kèm theo máy này

Số Model bộ sạc → Xem Tr. VI20

⚠ THẬN TRỌNG

■ Pin (Pin lithi-ion sạc lại được)



Không đặt các đồ vật lên trên pin hoặc đặt pin ở nơi bạn có thể dễ dàng làm rơi

(Nguy cơ quá nhiệt, bắt lửa, điện giật hoặc chấn thương)



Nếu pin bị rò rỉ và chất lỏng dính vào da hoặc quần áo của bạn, hãy giặt cẩn thận bằng nước sạch

(Nguy cơ kích ứng da hoặc chấn thương)



Bảo quản bộ phận chính và pin ở nơi khô ráo, sạch sẽ

(Nguy cơ quá nhiệt, bắt lửa hoặc điện giật)



Pin phải được tháo ra khỏi máy trước khi thải bỏ máy (Tr. VI19)

(Nguy cơ bắt lửa, điện giật hoặc tai nạn)



Tránh làm rơi, va đập hoặc làm ướt máy

(Nguy cơ quá nhiệt, bắt lửa hoặc điện giật)



Nếu dây điện bị hỏng, bạn cần thay bộ sạc để tránh nguy hiểm

(Dây điện bị hỏng có thể gây điện giật hoặc cháy do đoản mạch)



Máy này không dành cho những người (kể cả trẻ em) bị suy giảm khả năng thể chất, giác quan hoặc tinh thần, hoặc thiếu kinh nghiệm và kiến thức, trừ khi họ được người chịu trách nhiệm về sự an toàn của họ giám sát hoặc hướng dẫn sử dụng máy

Trẻ em nên được giám sát để đảm bảo rằng trẻ không nghịch máy

(Máy có thể gây ra bỏng, thương tích hoặc điện giật)



Trong trường hợp xảy ra hiện tượng bất thường hoặc hỏng hóc, hãy ngừng sử dụng và rút phích cắm bộ sạc ngay lập tức

(Không làm như vậy có thể gây ra khói, bắt lửa hoặc điện giật)

Ví dụ về sự cố bất thường và hỏng hóc

- Ấn vào công tắc vận hành để bật máy hút bụi
- Di chuyển bộ sạc sẽ bật và tắt đèn báo trạng thái pin
- Máy hút bụi không dây phát ra tiếng ồn bất thường khi sử dụng
- Bộ phận chính bị biến dạng và/hoặc trở nên nóng bất thường
- “Mùi” cháy phát ra từ bộ phận chính

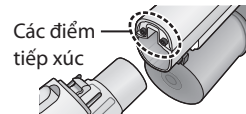
→ Yêu cầu đơn vị bán hàng kiểm tra hoặc sửa chữa.

■ Bộ phận chính và các phụ tùng



Không nên sử dụng sai cách

- Không làm đổ thân máy
- Không kéo, cuộn hoặc làm rơi bộ phận chính
- Nếu phần vải nhô cao, nắp chổi, con lăn,... bị mòn hoặc các vật lạ như cát, sỏi bám lên chúng, thì không sử dụng chúng trong tình trạng như vậy
→ Kiểm tra máy trước khi sử dụng và nếu máy có tình trạng mòn, hãy tham khảo ý kiến ở nơi bạn mua hàng.
(Tình trạng này có thể gây xước bề mặt sàn nhà)
- Không đặt kim loại lên các điểm tiếp xúc của bộ phận chính, ống nối, v.v.



- Không kéo dây điện khi rút phích cắm bộ sạc (Làm như vậy có thể dẫn đến điện giật hoặc bắt lửa do đoản mạch)



Không để máy gần lửa

(Khí thải có thể làm cho ngọn lửa lớn hơn, tăng nguy cơ cháy)



Không rửa bằng nước (ngoại trừ các phụ tùng và bộ phận có thể rửa bằng nước), cũng như không sử dụng trong phòng tắm

(Nguy cơ điện giật hoặc cháy)



Hãy đảm bảo tắt công tắc vận hành khi đặt máy hút bụi dựa vào tường, v.v

(Có nguy cơ bị thương hoặc khiến sàn nhà bị hư hỏng khi bộ phận chính bị đổ)

Lưu ý khi sử dụng

Tên các Bộ phận

Để sử dụng lâu dài

Không sử dụng cho mục đích kinh doanh hoặc mục đích khác ngoài hút bụi.

- Không sử dụng để hút những thứ sau đây hoặc những thứ tương tự (Làm như vậy có thể gây hỏng hóc và gây ra mùi hôi)
 - Máy hút ẩm hóa học
 - Một lượng lớn bột (chẳng hạn như bột bên trong bình chữa cháy)
 - Nước và các chất lỏng khác
 - Những thứ có phân vật nuôi và những thứ tương tự
 - Kính, đinh, kim, tăm
 - Dây dài
 - Vật liệu giảm chấn
 - Mép thảm (tua)
 - Những thứ dễ gây tắc nghẽn lỗ hút (chẳng hạn như bút tất)
- Không hút bụi ở nơi có nhiều cát, cát cho vật nuôi hoặc đá cuội và những thứ tương tự (Điều này có thể gây hỏng hóc)
- Không hút bụi bằng các đầu mút của bộ phận chính hoặc ống nối (Điều này có thể gây ra tình trạng tiếp xúc kém và hư hỏng do các đầu mút bị mòn, v.v.)
 - Sử dụng đầu vòi hút 2 chiều dạng ống lồng, v.v. (Tr. VI11)
- Không sử dụng với lỗ hút bị tắc nghẽn trong thời gian dài (Điều này có thể gây ra biến dạng do quá nhiệt)
- Không chặn lỗ thoát khí (Điều này có thể gây ra biến dạng do quá nhiệt)
- Không hút các mảnh vụn lớn, cũng không hút bụi khi vượt quá vạch mức bụi (Điều này có thể gây tắc nghẽn, ống nối và đầu hút dưới sàn, v.v.)
 - Loại bỏ các mảnh vụn lớn như giấy gói kẹo, giấy lùa, v.v. trước khi hút.
 - Thải bỏ các mảnh vụn, trước khi vượt quá vạch mức bụi. Khi thải bỏ các mảnh vụn bị tắc nghẽn, hãy tham khảo phần "Khắc phục sự cố" (Tr. VI16).



Sau khi hút bụi, hãy kiểm tra phía dưới đầu hút dưới sàn!

Nếu có bất kỳ mảnh vụn nào bị vướng hoặc bị kẹt bên trong, hãy loại bỏ chúng. (Tr. VI14)

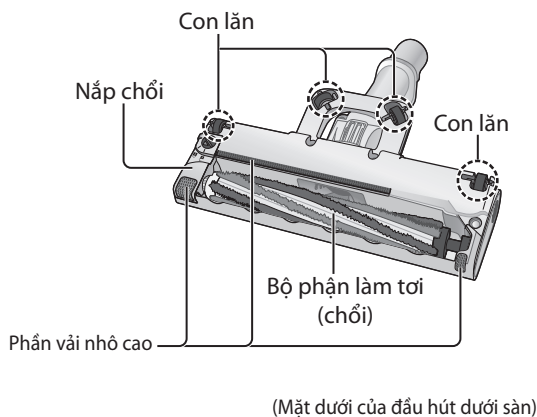
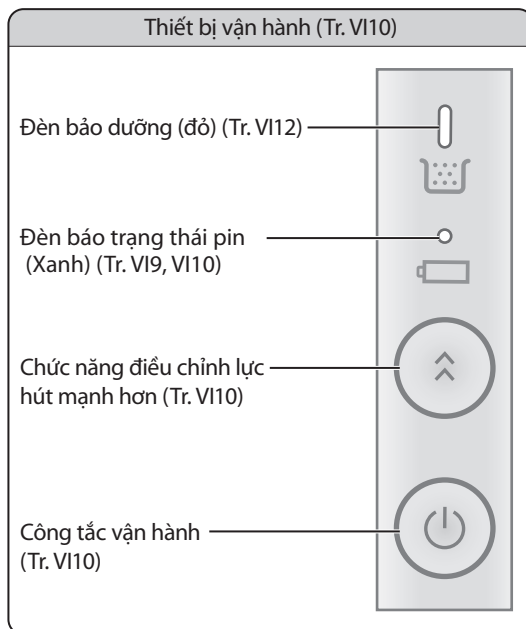
Để tránh gây ra tình trạng quá nhiệt ở động cơ và/hoặc pin (chế độ bảo vệ máy)

Việc tiếp tục sử dụng trong các điều kiện sau sẽ kích hoạt chế độ bảo vệ máy, làm máy hút bụi dừng hoạt động. (Tr. VI16)

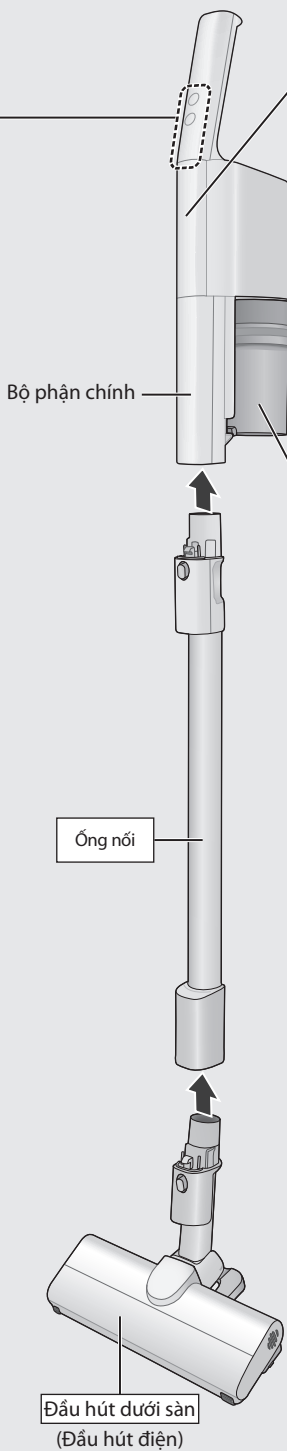
- Đèn báo dưỡng (đỏ) sáng (Tr. VI12)
- Lỗ hút bị tắc nghẽn
- Ống nối và đầu hút bị tắc nghẽn
- Để bộ phận làm tươi (chổi) ở cùng một vị trí khi đang quay
- Để bộ phận làm tươi (chổi) phá hủy vật lạ
- Vận hành máy ở chế độ "HIGH" tại những nơi có nhiệt độ cao

Kiểm tra các phụ tùng đi kèm.

Các bộ phận kèm theo là phụ tùng đi kèm.



Máy hút bụi không dây



Nắp pin (Tr. VI19)

- Pin được đặt bên trong.

Pin lithi-ion sạc lại được

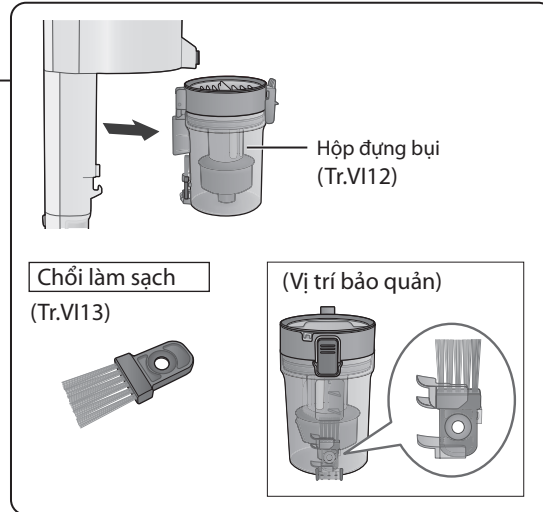
- Công suất định mức 1700 mAh
- Số lượng pin 4 pin

Lỗ thoát khí (Tr. VI15)

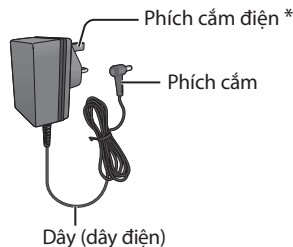
Đầu nối (Tr. VI8)

Cao su chống trượt

- Có tác dụng hỗ trợ khi dựa thiết bị máy hút bụi không dây vào tường.

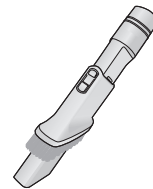


Bộ sạc (Tr.VI8)



* Phích cắm điện có thể khác với hình minh họa.

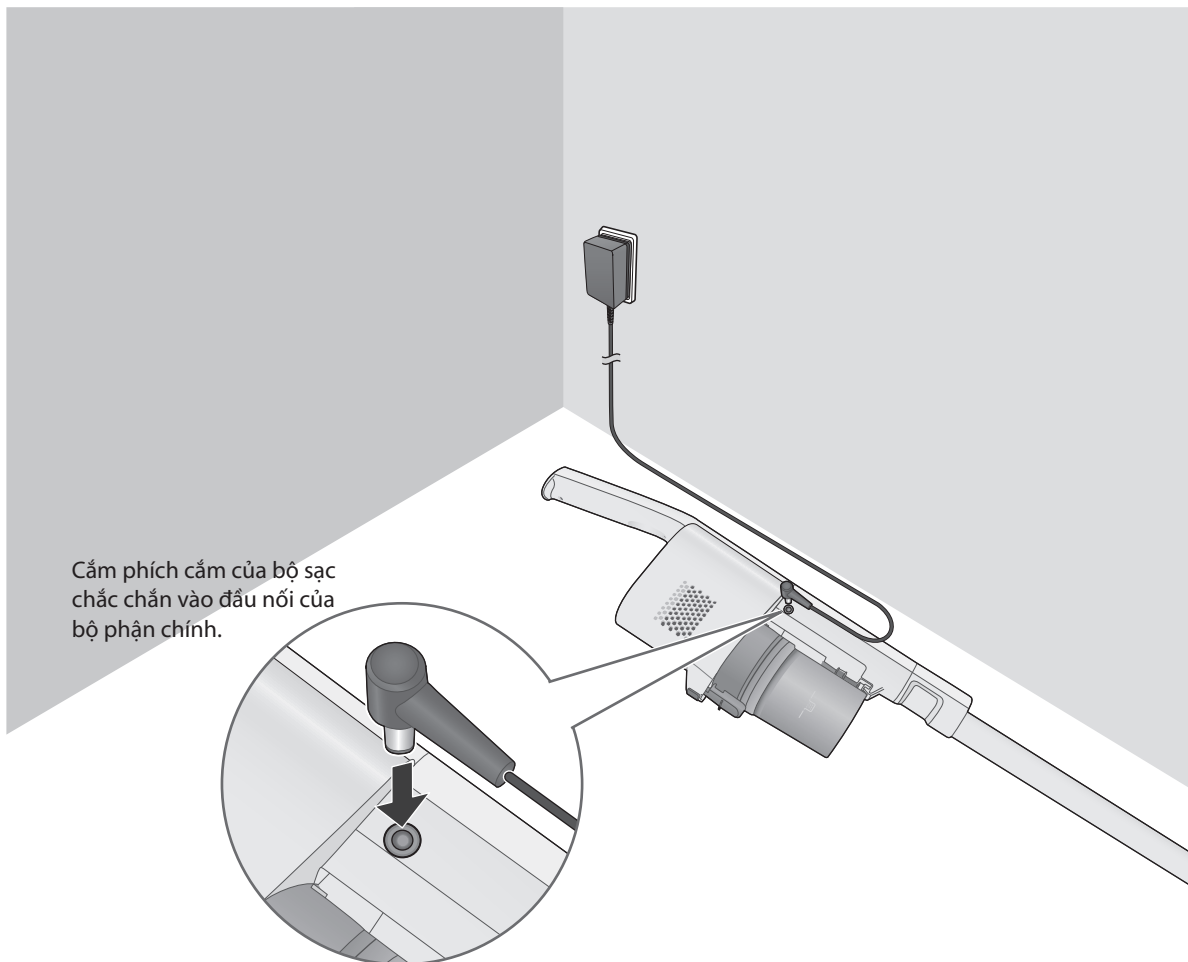
Đầu vòi hút 2 chiều dạng ống lồng (Tr.VI11)



Sạc

Sạc

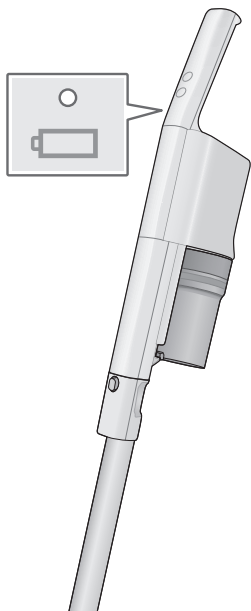
Pin chưa được sạc đầy tại thời điểm mua, vì vậy hãy nhớ sạc pin trước khi sử dụng.
(Thời gian sạc: Khoảng 3,5 giờ)



Yêu cầu

- Khi rút phích cắm, không cầm dây điện, thay vào đó hãy cầm phần cuối phích cắm.
(Điều này có thể gây ra hỏng hóc do dây dẫn bị đứt)

■ Cách nhận biết đèn báo trạng thái pin (Xanh)



Dao động (Xanh)

Đang sạc

Nhiệt độ pin thay đổi tùy thuộc vào điều kiện sử dụng như nhiệt độ môi trường và thời gian sử dụng, v.v.
Nếu nhiệt độ pin cao, có thể mất nhiều thời gian để sạc pin hơn vì pin sẽ tự động đợi cho đến khi đạt đến nhiệt độ thích hợp để sạc.
(Tối đa là khoảng 5 giờ)



Tắt

Sạc xong

Đèn sẽ tắt khi sạc xong.

- Có sự bất thường khi đèn nhấp nháy nhanh (khoảng 0,3 giây một lần).
Tham khảo “Khắc phục sự cố” (Tr. VI17).

Để kéo dài tuổi thọ của pin

- Khi không sử dụng trong một tháng trở lên, hãy sạc đầy pin và đảm bảo sạc ít nhất mỗi năm một lần.
(Nếu pin được lưu trữ mà không có bất kỳ nguồn điện dư nào, pin có thể không sạc được nữa hoặc hiệu suất hay tuổi thọ của pin có thể bị giảm)
- Khi máy hút bụi không dây ngừng vận hành trong quá trình hút bụi do pin yếu, bạn vẫn có thể tiếp tục vận hành máy trong thời gian ngắn bằng cách ấn công tắc vận hành lần nữa. Tuy nhiên, không nên lặp lại nhiều lần vì làm vậy có thể giảm tuổi thọ của pin.
- Đảm bảo sạc pin ở nơi có nhiệt độ phòng từ 5 °C đến 35 °C. Pin sẽ không được sạc đúng cách khi ở nơi có nhiệt độ phòng thấp hoặc nhiệt độ cao như dưới ánh nắng trực tiếp. Thời gian sử dụng có thể ngắn hơn hoặc thời gian sạc có thể dài hơn.

Yêu cầu

- Khi đèn báo trạng thái pin (Xanh) không sáng hoặc khi đèn tắt đột ngột, rút phích cắm bộ sạc ra khỏi bộ phận chính sau đó cắm lại lần nữa.
- Nếu máy không được sử dụng trong ít nhất 6 tháng, hãy đảm bảo sạc trước khi sử dụng vì pin có thể đã cạn kiệt, thời gian sử dụng của pin có thể ngắn.
- Nếu đài phát thanh hoặc TV bị nhiễu do nhiễu điện, hãy di chuyển chúng cách xa bộ sạc ít nhất 1 m.


Lưu ý

- Bộ phận chính và bộ sạc sẽ ấm lên trong khi sạc, nhưng điều này là bình thường.
- Thời gian hoạt động khác nhau tùy thuộc vào nhiệt độ của pin và điều kiện hoạt động.
- Bộ sạc tiêu thụ khoảng 0,3 W điện ngay cả khi không được kết nối với bộ phận chính.
- Bộ sạc có thể gây ra tiếng ồn, nhưng điều này là hoàn toàn bình thường.
- Không sử dụng máy hút bụi không dây trong khi sạc. Để sử dụng, hãy rút bộ sạc khỏi bộ phận chính trước.

Hút bụi

1

Để khởi động máy

Nhấn  (Bắt đầu hoạt động ở chế độ ON)

Chổi của đầu hút dưới sàn đang xoay
(Không thể dừng xoay)

■ Để thay đổi cường độ



Chế độ vận hành thay đổi
mỗi khi nhấn nút.
HIGH ↔ ON

ON : Hút bụi với lực hút vừa
HIGH: Hút bụi với lực hút cao

2

Để tắt máy

Nhấn 

3

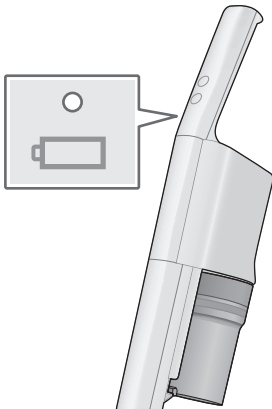
Sạc pin sau khi sử dụng. (Tr. VI8)

Yêu cầu

- Không tác dụng lực quá mạnh lên đầu hút, đồng thời di chuyển nhẹ và chậm dọc theo thảm tatami và sàn gỗ. Di chuyển đầu hút qua lại trên thảm. Có thể dễ dàng lấy các mảnh vụn ra bằng cách kéo đầu hút về phía mình. (Khi hút bụi trên bề mặt mềm và dễ trầy xước như sàn gỗ tuyết tùng, gỗ bách và sàn nhựa vinyl, v.v. và khi sử dụng sáp đánh bóng sàn nhà và chất tẩy rửa đánh bóng sàn nhà, sàn nhà có thể bị xước.)

■ Đèn báo trạng thái pin sẽ sáng lên để thông báo cho bạn biết!

Cho biết mức pin còn lại trong khi bạn đang hút bụi.



Sáng lên (Xanh)
Có đủ pin. Bạn có thể hút bụi.



Nhấp nháy (Xanh)
Pin yếu. Sạc pin. (Tr. VI8)

Lưu ý

- Nếu hết pin trong quá trình sử dụng, thiết bị ngăn ngừa phóng điện quá mức sẽ tự động dừng pin.

Kỹ thuật làm sạch...

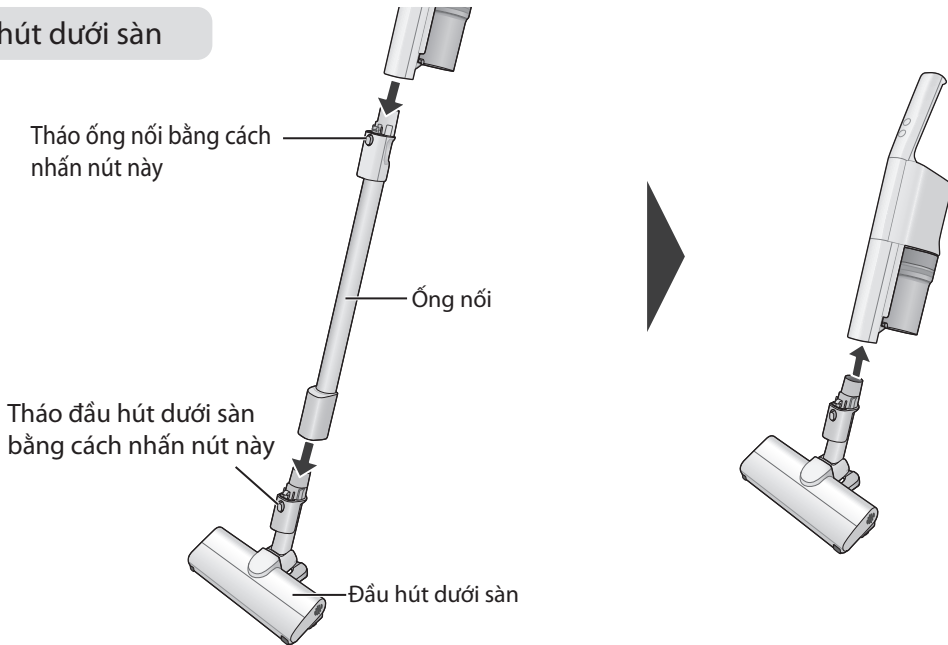
Sử dụng các đầu hút khác nhau để phù hợp với các chỗ cần hút bụi.

Yêu cầu

● Không sử dụng trên các bề mặt sáng bóng như đàn piano. (Làm như vậy có thể làm xước bề mặt)

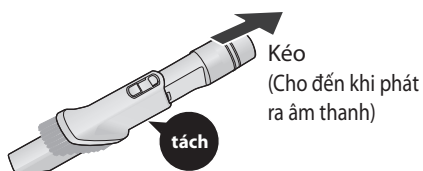
Là một thiết bị dọn dẹp tiện dụng

Đầu hút dưới sàn

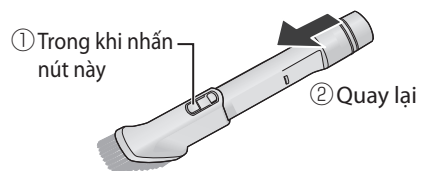


Đối với khe hẹp như bệ cửa sổ...

Đầu vòi hút 2 chiều dạng ống lồng



<Cách đưa chổi về lại vị trí ban đầu>

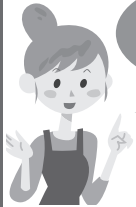


Vệ sinh hộp đựng bụi/Bảo trì

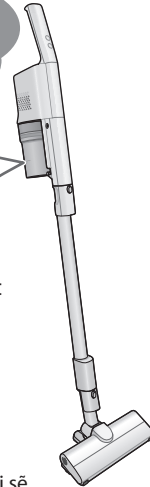
Vệ sinh hộp đựng bụi

Kiểm tra Mức bụi ()

Kiểm tra mỗi tuần một lần theo hướng dẫn



Dọn sạch các mảnh vụn trước khi vượt quá mức bụi

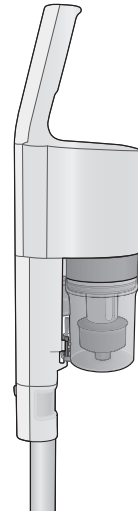


Thời gian đầy hộp đựng bụi sẽ khác nhau tùy thuộc vào loại rác.

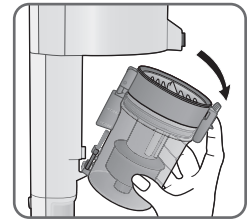
Lưu ý

- Với một tấm thảm mới, hộp đựng bụi sẽ nhanh chóng đầy bởi các bụi tơ xốp. (Các bụi tơ xốp sẽ giảm dần theo số lần hút bụi)

1 Tháo hộp đựng bụi



Nhấn nút để tháo hộp đựng bụi



Bảo trì (Hộp đựng bụi)

Trong các trường hợp này, hãy dọn dẹp sạch sẽ (bên phải).

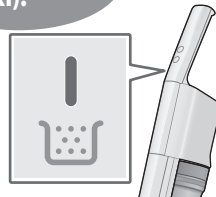
■ Dù đã loại bỏ mảnh vụn, công suất hút vẫn không khôi phục...

■ Đèn báo dưỡng (đỏ) sáng...



Đèn thông báo cho bạn về thời gian bảo dưỡng (xấp xỉ)!

Đèn không sáng lên trong khi nút vận hành là ON.



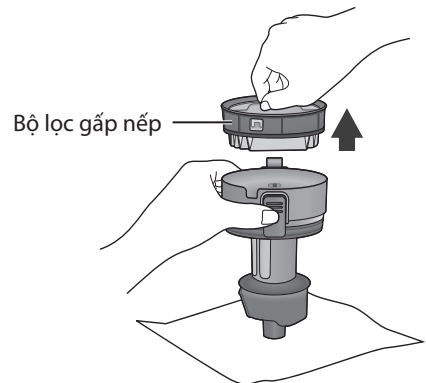
Lưu ý

- Trong các tình huống sau đây, đèn có thể không sáng ngay cả khi máy bị tắc do mảnh vụn.
 - Khi có nhiều lông thú cưng và vải cotton (kiểm tra ngay lượng vụn tích tụ)
- Trong các trường hợp sau đây, đèn có thể sáng ngay cả khi chỉ có ít bụi bẩn và mảnh vụn.
 - Khi có nhiều cát và bụi (loại bỏ bụi)
 - Khi ống nối/đầu hút bị tắc do các mảnh vụn (loại bỏ các mảnh vụn)
 - Khi sử dụng đầu vòi hút 2 chiều dạng ống lồng (kiểm tra ngay lượng bụi tích tụ)

Tháo rời

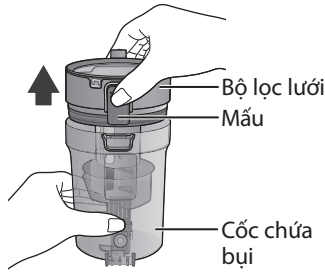
1 Loại bỏ mảnh vụn (xem hình trên)

2 Nhấc bộ lọc gấp nếp lên để loại bỏ chúng

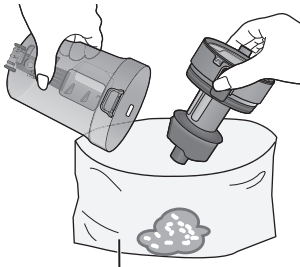


2 Loại bỏ rác và bụi để làm sạch

1 Tháo trong khi ấn mẫu lọc lưới



2 Loại bỏ mảnh vụn



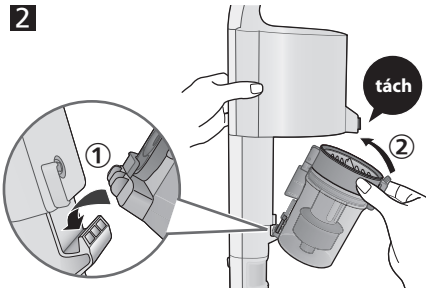
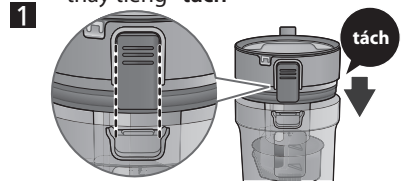
Yêu cầu

- Nếu bạn thấy khó loại bỏ các mảnh vụn, hãy vỗ nhẹ vào cốc chứa bụi.

Nếu lông, tóc quấn vào và không thể loại bỏ mảnh vụn, hãy dọn dẹp sạch sẽ (hộp đựng bụi).

3 Lắp hộp đựng bụi

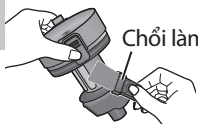
Ấn chặt cho đến khi bạn nghe thấy tiếng "tách"



- Nếu không lắp chặt hộp đựng bụi, máy sẽ không thể hút được bụi.

Làm sạch

Bộ lọc lưới

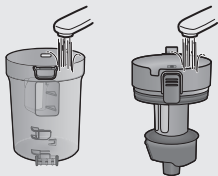


Bộ lọc gấp nếp



Có thể rửa nó bằng nước nếu bạn lo ngại về cặn bẩn

(Phơi khô vừa đủ rồi đặt nó lại chỗ cũ)



Ngâm trong nước (khoảng 30 phút)



Rửa dưới vòi nước đang chảy (Không dùng bàn chải để chà)

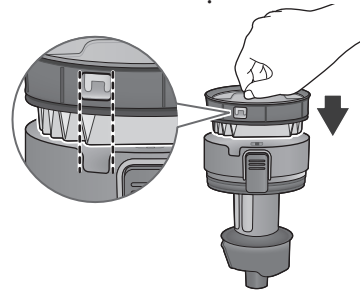
Yêu cầu

- Không sử dụng chất tẩy rửa, benzen, chất pha loãng, cồn, v.v. (Có thể khiến máy bị nứt và đổi màu)
- Để nơi thoáng gió trong khoảng 24 giờ, và để khô hoàn toàn. (Giúp máy tránh được tình trạng bị tắc nghẽn và tránh mùi hôi)
- Không để máy tiếp xúc với luồng khí nóng từ máy sấy tóc và các thiết bị tương tự. (Có thể dẫn đến biến dạng và hỏng hóc)

Lắp ráp

- Lắp ráp theo trình tự ngược lại của quá trình tháo dỡ

1 Đặt bộ lọc gấp nếp vào trong như hình minh họa



2 Đặt bộ lọc gấp nếp vào bên trong cốc chứa bụi và gắn hộp đựng bụi vào bộ phận chính

Bảo trì (Tiếp)

Khi lực hút yếu đi/Khi cần bảo trì

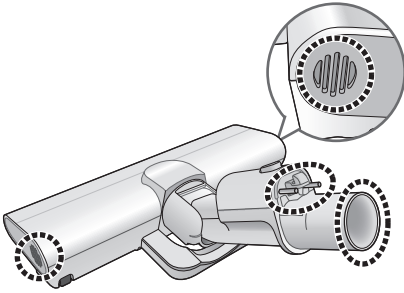
Đảm bảo tắt công tắc vận hành và rút bộ sạc trước khi tiến hành bảo dưỡng.

Đầu hút dưới sàn

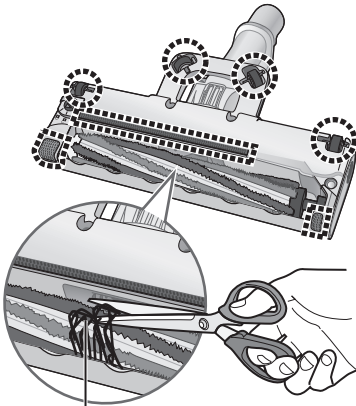
Loại bỏ rác khỏi khu vực



Trừ bộ phận làm
tơi (chổi)



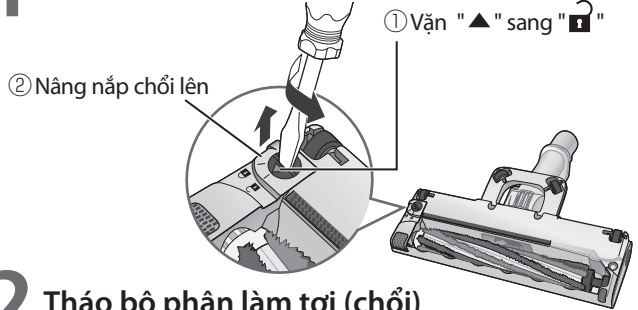
- Sử dụng nhíp hoặc kéo để loại bỏ các mảnh vụn bị vướng.



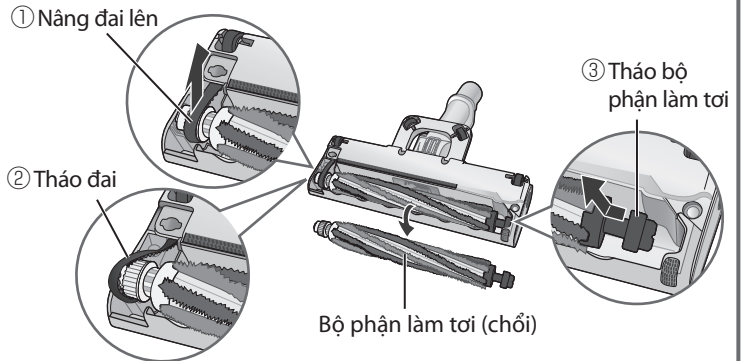
Cắt bỏ các mảnh vụn, v.v. bị vướng vào đầu hút bằng kéo dọc theo rãnh

■ Cách rửa bộ phận làm tơi bằng nước

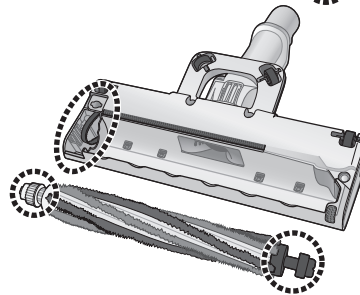
1 Tháo nắp chổi



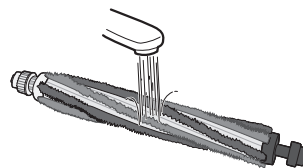
2 Tháo bộ phận làm tơi (chổi)




3 Loại bỏ rác khỏi vùng

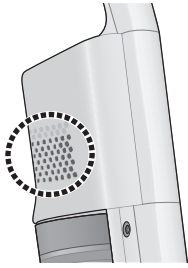


4 Rửa bộ phận làm tơi (chổi) bằng nước



Lỗ thoát khí

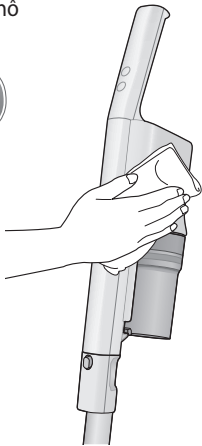
Loại bỏ rác khỏi khu vực 



Bộ phận chính/Ống nối

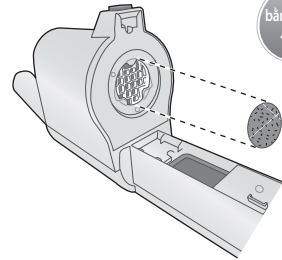
Lau sạch bằng khăn ẩm mềm.

● Vắt khô



Bộ lọc trước

Vỗ nhẹ cho sạch bụi hoặc rửa sạch.



● Hãy chắc chắn rằng đặt bộ lọc trước trở lại sau khi bảo trì.

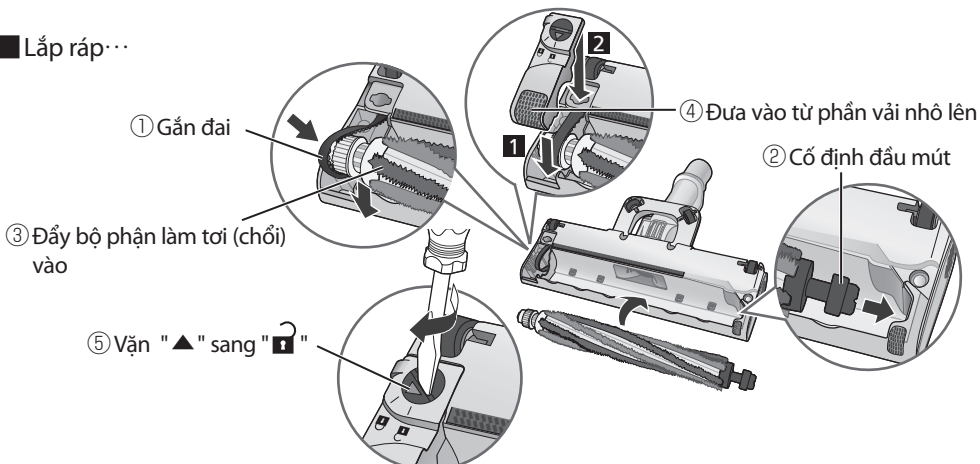
Hộp đựng bụi (Tr. VI12)

● Độ trong suốt của cốc chứa bụi giảm theo số lần làm sạch, nhưng điều đó không ảnh hưởng đến hiệu suất của cốc.

Yêu cầu

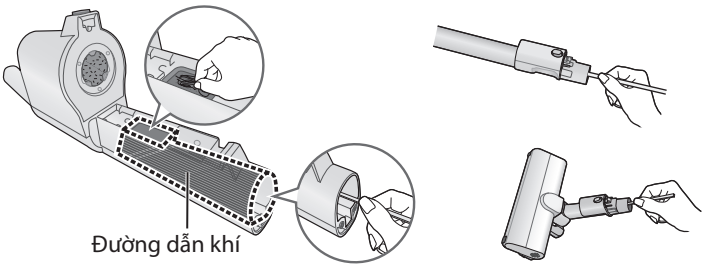
- Khi rửa bằng nước...
 - Nhớ để máy ráo nước và khô hẳn. (Không làm như vậy có thể dẫn đến mùi hôi và tắc nghẽn)
 - Không để máy tiếp xúc với luồng khí nóng từ máy sấy tóc và các máy tương tự. (Bộ phận làm tươi (chổi): Có thể gây ra biến dạng hoặc hư hỏng) (Bộ lọc trước: Có thể khiến rác xâm nhập và dẫn đến hỏng hóc do bộ lọc bị co lại)
- Không sử dụng chất tẩy rửa, benzen, chất pha loãng, cồn, v.v. (Có thể khiến máy bị nứt và đổi màu)
- Khi sử dụng khăn lau, hãy làm theo hướng dẫn.

■ Lắp ráp...



Khắc phục sự cố

Vui lòng kiểm tra các mục sau trước khi liên hệ với đơn vị bán lẻ để sửa chữa.

Sự cố	Tham khảo phần này
Không thể vận hành	<ul style="list-style-type: none"> ● Pin có bị hết không? (Tr. VI8) ● Để ngăn động cơ không trở nên quá nóng, thiết bị bảo vệ có hoạt động không? <ul style="list-style-type: none"> → ① Tắt công tắc vận hành ② Chờ từ 5 đến 30 phút (động cơ nguội dần và thiết bị bảo vệ được nhả ra) ③ Điều tra lý do khiến thiết bị bảo vệ hoạt động (Tr. VI6) <ul style="list-style-type: none"> • Hoạt động liên tục với nhiều bụi tích tụ trong hộp đựng bụi <ul style="list-style-type: none"> → Vứt bỏ các mảnh vụn vào hộp đựng bụi và làm sạch hộp đựng bụi (Tr. VI12) • Ống nối và đầu hút bị tắc nghẽn do các mảnh vụn → Vứt bỏ các mảnh vụn • Được sử dụng với tạp chất bị cuốn vào bộ phận làm tươi (chổi) <ul style="list-style-type: none"> → Loại bỏ tạp chất
	<ul style="list-style-type: none"> ● Để pin không quá nóng, thiết bị bảo vệ có hoạt động không? <ul style="list-style-type: none"> → ① Tắt công tắc vận hành ② Chờ từ 5 đến 30 phút (pin nguội dần và máy bảo vệ được nhả ra) ③ Điều tra lý do khiến thiết bị bảo vệ hoạt động (Tr. VI6) <ul style="list-style-type: none"> • Hoạt động liên tục với nhiều bụi tích tụ trong hộp đựng bụi <ul style="list-style-type: none"> → Vứt bỏ các mảnh vụn trong hộp đựng bụi và làm sạch hộp đựng bụi (Tr. VI12) • Ống nối và đầu hút bị tắc nghẽn do các mảnh vụn → Vứt bỏ các mảnh vụn
Công suất hút yếu hoặc máy dừng vận hành dù chưa xong việc	<ul style="list-style-type: none"> ● Nếu vận hành máy liên tục ở chế độ vận hành "HIGH" tại những nơi có nhiệt độ cao, thiết bị bảo vệ có thể sẽ hoạt động và dừng vận hành máy. ● Khi đang sử dụng mà đầu hút dưới sàn bị rơi ra khỏi máy? <ul style="list-style-type: none"> → Nâng đầu hút dưới sàn lên rồi từ từ hạ xuống. ● Có phải do các mảnh vụn hoặc sợi dây quần xung quanh làm kẹt bộ phận làm tươi (chổi) không? (Tr. VI14) ● Tùy thuộc vào loại bề mặt sàn nhà, chẳng hạn như thảm dài, bộ phận làm tươi (chổi) có thể không xoay hoặc có thể xoay chậm lại.
Bộ phận làm tươi (chổi) ngừng chuyển động	<ul style="list-style-type: none"> ● Máy có bị đầy bụi bẩn và các mảnh vụn không? ● Hộp đựng bụi có bị tắc không? → Làm sạch nó (Tr. VI12)
Công suất hút yếu ngay cả ở chế độ hoạt động "HIGH"	<ul style="list-style-type: none"> ● Tắt công tắc vận hành và thử vận hành lại máy. ● Các bộ lọc có bị tắc nghẽn không? → Hãy làm sạch chúng (Tr. VI12, VI15) ● Hộp đựng bụi có được đặt chắc chắn không? ● Thiết bị bảo vệ có hoạt động không? (Tr. VI16) ● Các đường dẫn khí, ống nối và đầu hút dưới sàn có bị tắc nghẽn bởi các mảnh vụn không? <ul style="list-style-type: none"> → Loại bỏ các mảnh vụn bị tắc nghẽn bằng một chiếc que mỏng, v.v.
Công suất hút yếu trong quá trình sử dụng	 <p>Đường dẫn khí</p>

Sự cố	Tham khảo phần này
Đèn báo trạng thái pin (Xanh) không sáng	<ul style="list-style-type: none"> ● Bộ sạc có được cắm chắc chắn vào ổ cắm không? ● Phích cắm của bộ sạc có được cắm chắc chắn vào đầu nối của bộ phận chính không?
Đèn báo trạng thái pin (Xanh) không tắt (Thời gian sạc kéo dài)	<ul style="list-style-type: none"> ● Có thể mất tối đa 5 giờ để sạc đầy, tùy thuộc vào điều kiện sử dụng như nhiệt độ môi trường và thời gian sử dụng. ● Nếu đèn báo trạng thái pin không tắt mặc dù pin đã được sạc từ 5 giờ trở lên, máy có thể được coi là bị lỗi, hãy tham khảo ý kiến của đơn vị bán lẻ nơi mua máy.
Đèn báo trạng thái pin nhấp nháy nhanh (khoảng 0,3 giây một lần)	<ul style="list-style-type: none"> ● Phích cắm của bộ sạc có được cắm chắc chắn vào đầu nối của bộ phận chính không? → Rút phích cắm ra khỏi bộ phận chính và lắp lại ● Có tạp chất ở trên đầu nối của bộ phận chính hoặc phích cắm của bộ sạc không? → Loại bỏ tạp chất ● Pin đã được sạc ở những nơi có nhiệt độ môi trường cao hay thấp? → Sạc pin ở những nơi có nhiệt độ phòng từ 5 °C đến 35 °C (Tr. VI9) ● Bộ sạc chuyên dụng có được sử dụng không? ● Đầu nối pin có được lắp chắc chắn không? (Tr. VI19)
Thời gian hoạt động ngắn ngay cả khi pin đã được sạc đầy	<ul style="list-style-type: none"> ● Ngay cả khi đèn báo trạng thái pin (Xanh) nhấp nháy, có thể nó chưa được sạc. (Nó không thoát động được) Nếu nhiệt độ pin cao, chẳng hạn như nhiệt tăng ngay sau khi vận hành máy, nó sẽ không được sạc ngay cả khi đèn báo trạng thái pin (Xanh) nhấp nháy vì nó sẽ tự động chuyển sang chế độ chờ để sạc cho đến khi đạt nhiệt độ phù hợp để sạc. → Sạc pin cho đến khi đèn báo trạng thái pin (Xanh) tắt ● Pin đã được sạc ở những nơi có nhiệt độ môi trường cao hay thấp? → Sạc pin ở những nơi có nhiệt độ phòng từ 5 °C đến 35 °C (Tr. VI9) ● Khi thời gian sử dụng bị rút ngắn đáng kể mặc dù đã được sạc đúng cách, tức là tuổi thọ của pin đã hết. (Tuổi thọ của pin thay đổi tùy thuộc vào điều kiện sử dụng như nhiệt độ môi trường và thời gian sử dụng) → Thay pin (Tr. VI19)

Khắc phục sự cố (Tiếp)

Vui lòng kiểm tra các mục sau trước khi liên hệ với đơn vị bán lẻ để sửa chữa.

Sự cố	Tham khảo phần này
Đèn bảo dưỡng (đỏ) Đèn sáng lên ngay cả khi chỉ có ít mảnh vụn	<ul style="list-style-type: none">● Trong những tình huống sau đây, đèn sáng lên dù không có điều bất thường xảy ra.<ul style="list-style-type: none">• Khi cát và bụi bẩn, v.v. bị tắc.<ul style="list-style-type: none">→ Làm sạch hộp đựng bụi (Tr. VI12)• Khi ống nối và đầu hút bị tắc do mảnh vụn<ul style="list-style-type: none">→ Loại bỏ mảnh vụn• Khi sử dụng đầu vòi hút 2 chiều dạng ống lồng (Tr. VI11)
Đèn không sáng dù có rất nhiều mảnh vụn	<ul style="list-style-type: none">● Khi có nhiều lông thú cưng và mảnh vụn cotton, đèn có thể không sáng lên nhưng đây không phải hiện tượng bất thường.<ul style="list-style-type: none">→ Loại bỏ mảnh vụn trong hộp đựng bụi (Tr. VI12)● Đèn không sáng khi nút vận hành là ON.<ul style="list-style-type: none">→ Kiểm tra xem liệu máy có đang ở chế độ vận hành "HIGH" hay không.
Tiếng ồn Âm thanh vận hành tạo ra tiếng ồn lớn ("Conk, conk", v.v.).	<ul style="list-style-type: none">● Bộ lọc dạng lưới và bộ lọc dạng mạng có bị tắc nghẽn không?<ul style="list-style-type: none">→ Hãy làm sạch chúng (Tr. VI12)● Ống nối và đầu hút có bị tắc nghẽn bởi các mảnh vụn không?● Đầu mút của đầu hút có bị tắc nghẽn không?
Mùi Mùi của các mảnh vụn xuất phát từ khí thải	<ul style="list-style-type: none">● Bạn có đang để máy hút bụi chứa đầy mảnh vụn có mùi hôi không?<ul style="list-style-type: none">→ Nếu bạn lo lắng về điều này khi sử dụng nhiều lần, hãy thải bỏ các mảnh vụn (Tr. VI12)→ Làm sạch từng bộ lọc (Tr. VI12, VI15)
Nếu sự bất thường vẫn tiếp diễn ngay cả khi đã kiểm tra	<ul style="list-style-type: none">● Mang sản phẩm (bộ phận chính, ống nối, đầu hút dưới sàn, pin và bộ sạc) cùng với giấy bảo hành đến đơn vị mà bạn mua hàng.

Thải bỏ sản phẩm

Pin lithium-ion sạc lại được trong sản phẩm này vật tiêu hao.

Khi thời lượng sử dụng giảm đi một cách nhanh chóng, ngay cả sau khi máy được sạc đúng cách, thì có lẽ pin đã hết tuổi thọ. Nếu cần thay pin, vui lòng liên hệ với đại lý của bạn hoặc một trung tâm bảo hành liên kết của Panasonic. Để tránh lắp đặt không đúng cách gây ra sự cố sản phẩm hoặc tạo ra các mối nguy hiểm, vui lòng không tự thay thế pin.

Giới thiệu về pin lithi-ion sạc lại được

Thời gian sử dụng giảm xuống khi bạn sử dụng máy nhiều lần. Tuổi thọ của pin, phụ thuộc vào các yếu tố như nhiệt độ môi trường, thời gian sử dụng và thời lượng chu kỳ sạc/phóng điện, sẽ ngắn hơn tùy thuộc vào điều kiện sử dụng.

Không nên tháo rời pin đã sử dụng và vứt bỏ chúng cùng với rác thải sinh hoạt thông thường. Vui lòng mang pin đến các điểm thu gom phù hợp theo quy định của thành phố của bạn. Để biết thêm thông tin chi tiết, vui lòng liên hệ với đơn vị bán lẻ hoặc chính quyền địa phương phụ trách quản lý chất thải.

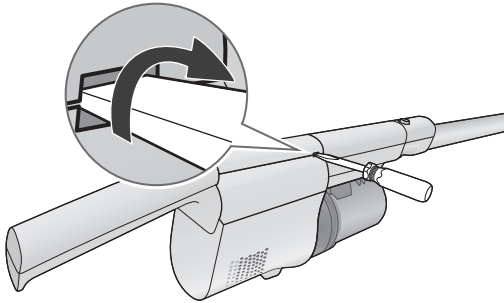
Xử lý pin đã qua sử dụng

- Bọc các đầu cực bằng băng dính bóng kính hoặc băng vinyl, v.v.
- Không tháo rời pin.

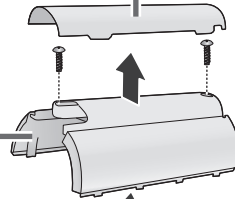
Yêu cầu

- Trước khi tháo pin, hãy vận hành bộ phận chính nhiều lần cho đến khi hết pin hoàn toàn.
- Máy phải được ngắt kết nối khỏi nguồn điện khi tháo pin.
- Pin phải được thải bỏ một cách an toàn.

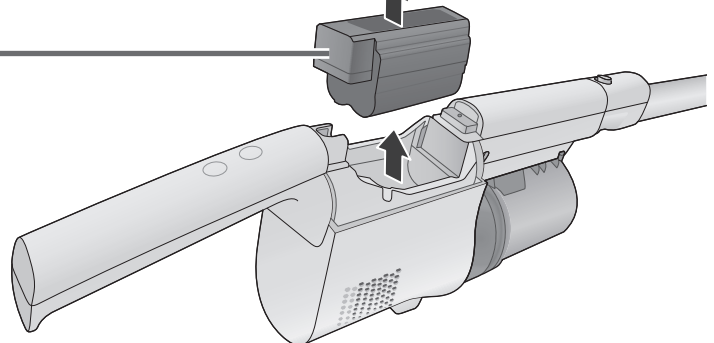
1 Loại bỏ nắp pin A



2 Loại bỏ nắp pin B



3 Lấy pin ra



Thông số kỹ thuật

Kích thước	(Máy hút bụi không dây) R 220 mm × S 168 mm × C 1093 mm		
	(Bộ phận chính) R 88 mm × S 162 mm × C 431 mm		
Trọng lượng	1,3 kg (Máy hút bụi không dây)		
	0,9 kg (Bộ phận chính<Bao gồm pin>)		
Khả năng chứa bụi	0,15 L (Đến vạch mức bụi)		
	0,3 L (Tối đa)		
Pin đã sử dụng	Pin lithi-ion sạc lại được Số Model AVA97V-1AH	Định mức điện áp	14,4 V \equiv
		Công suất định mức	1700 mAh
		Số lượng pin	4 pin
Thời gian hoạt động liên tục*	ON	Khoảng 15 phút (Khi sử dụng đầu hút dưới sàn)	
		Khoảng 30 phút (Khi sử dụng đầu vòi hút 2 chiều dạng ống lồng)	
	HIGH	Khoảng 6 phút (Khi sử dụng đầu hút dưới sàn)	
Bộ sạc	Số Model	AVA61V-1AH (Đối với Hồng Kông, Malaysia, Singapore) AVA61V-1A1 (Đối với Việt Nam)	
	Điện áp đầu vào	100-240 V ~ 50-60 Hz 0,35-0,2 A (Công suất tiêu thụ: Sạc - Xấp xỉ 11 W, Đã tháo bộ phận chính - Xấp xỉ 0,3 W)	
	Điện áp đầu ra	16,5 V \equiv 0,7 A	
	Thời gian sạc	Khoảng 3,5 giờ. (Khi được sạc từ mức cạn pin ở nhiệt độ môi trường 20 °C)	
	Chiều dài dây điện	1,5 m	
Các phụ tùng	<ul style="list-style-type: none"> • Ống nối (1) • Đầu hút dưới sàn (1) • Bộ sạc (1) • Đầu vòi hút 2 chiều dạng ống lồng (1) • Chổi làm sạch (1) 		

* Sạc đầy, công suất ban đầu của pin ở nhiệt độ môi trường 20 °C

Thông tin sạc pin cho bộ pin

Thông số kỹ thuật danh nghĩa		
Mục	Thông số kỹ thuật	Chú ý
Dòng điện sạc	0,7 A	-
Điện áp sạc	16,54 V	-
Dòng điện ngắt sạc	100 mA	-
Môi trường xung quanh (Sạc)	0 – 45 °C	-

Giới hạn sạc		
Model gói pin	Dòng điện sạc tối đa, A	Điện áp sạc tối đa, V
AVA97V-1AH	1,1 A	16,7 V

Panasonic Corporation

1006, Oaza Kadoma, Kadoma-shi, Osaka 571-8501, Japan
<http://www.panasonic.com>

© Panasonic Corporation 2022

AVAWWZ01BH00
W1222-0
Issued in 12 2022