

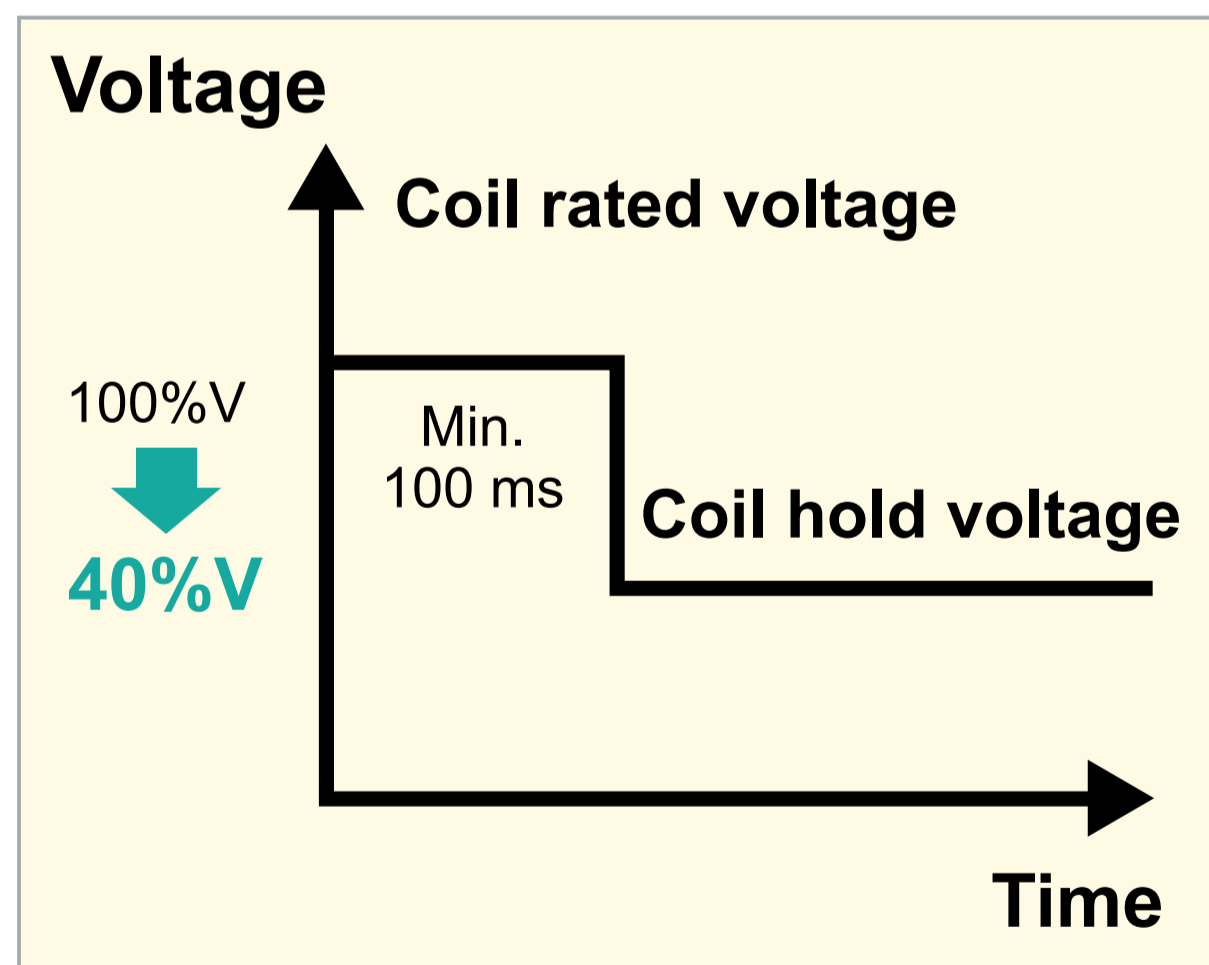
# HE-A Relays

The HE-A relays, used in EV charging stations and photovoltaic power generation systems, can control the hold voltage, **reducing power consumption by approximately 84%**. In addition, **they weigh approximately one-quarter as much as conventional contactors**.

They reduce the environmental impact through energy and material savings, while supporting the electrification of mobility from an infrastructure perspective and contributing to the spread of photovoltaic power generation systems, which are one approach to renewable energy generation.

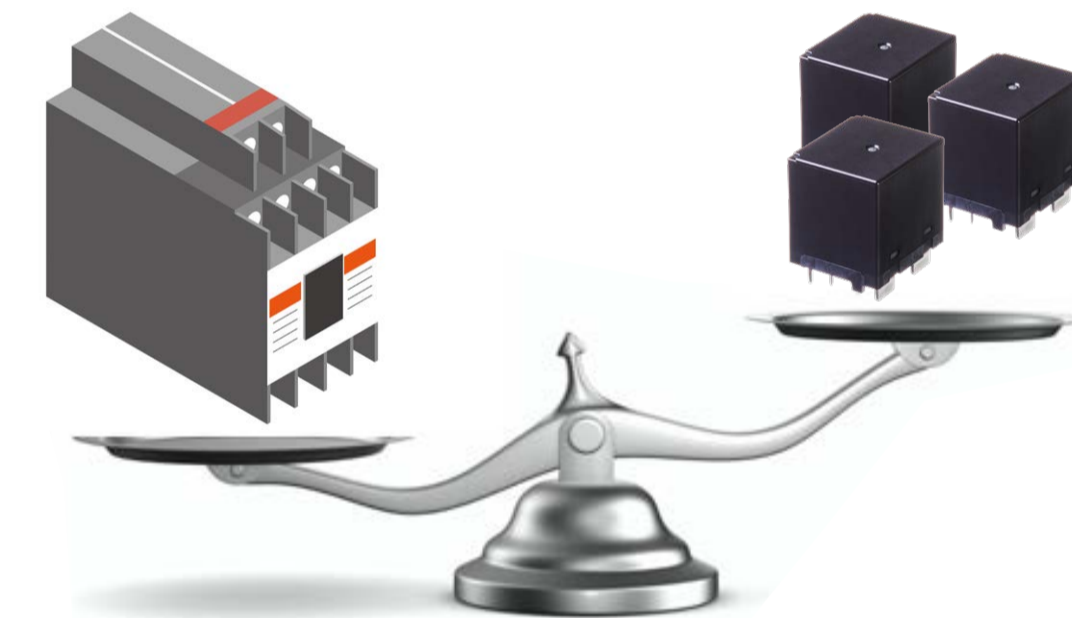


## Coil voltage



**Coil power dissipation of 1.92 W**

► **Can be reduced to 0.31 W**



Contactors weigh approx. 1 kg

**Approx. one-quarter**

Three HE-A relays weigh approx. 240 g

Compared to contactors, the HE-A relays **use fewer materials while maintaining the same breaking performance.**