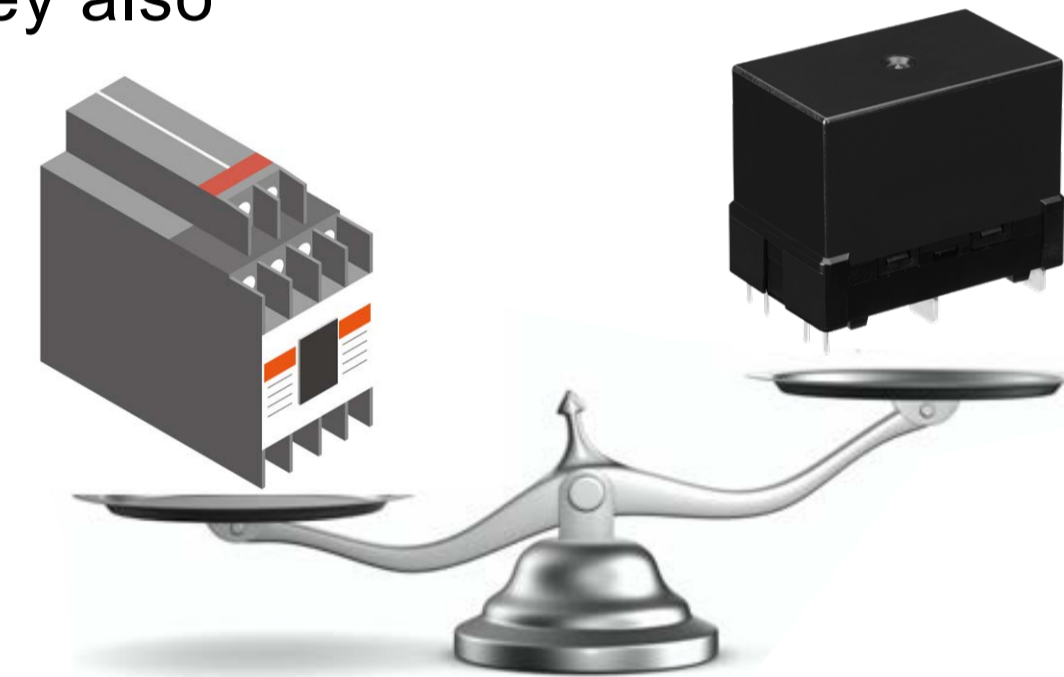


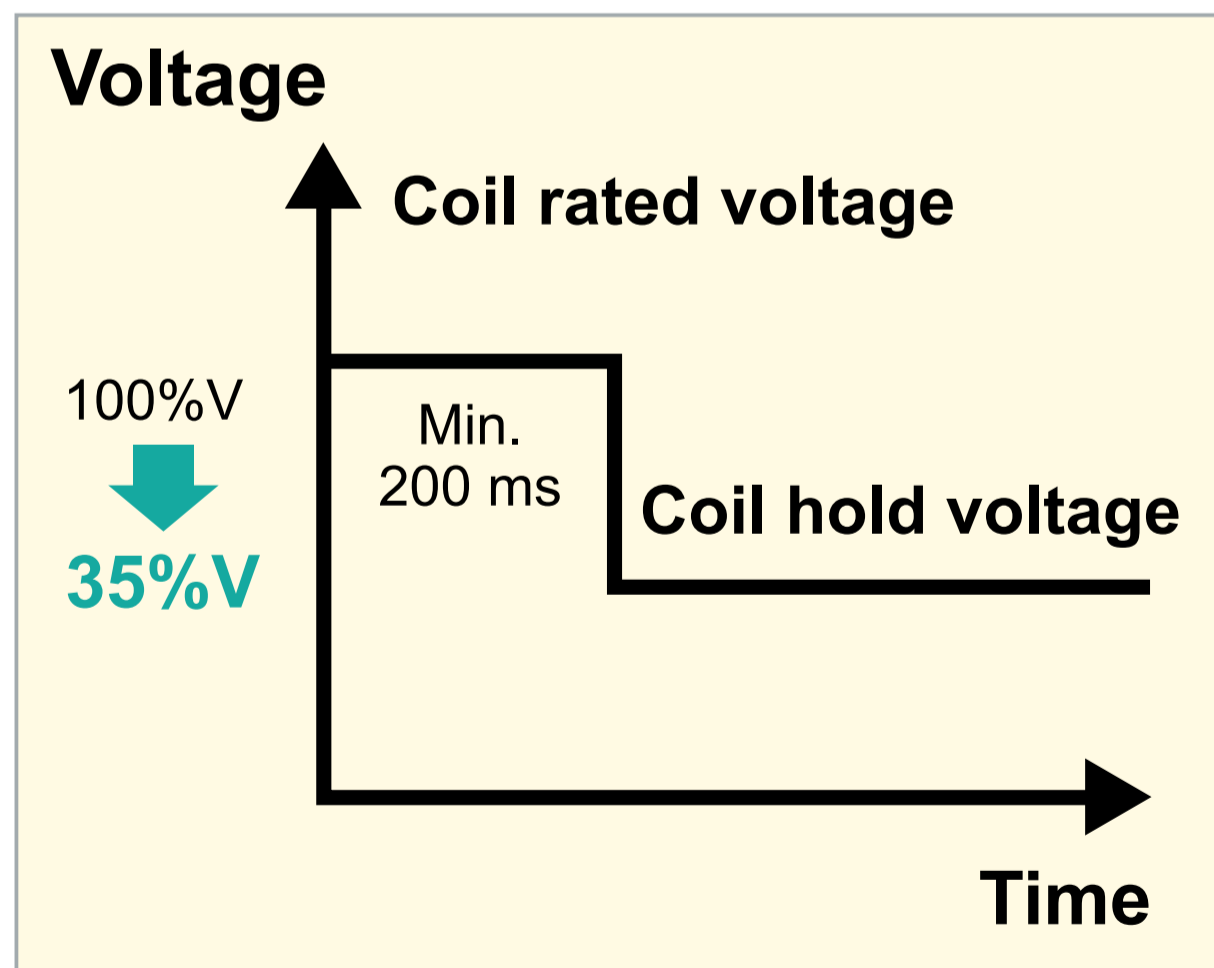
HE-R Relays

The HE-R relays, used in EV charging stations that support the electrification of mobility, can control the hold voltage, **reducing power consumption by approximately 88%**. Additionally, their low contact resistance suppresses heat generation under high current operations.

They **weigh approximately one-fifth as much as conventional contactors**. In addition to supporting the electrification and safety of mobility from an infrastructure perspective, they also reduce the environmental impact through energy conservation and material savings.



Coil voltage



Coil power dissipation of 4 W
▶ Can be reduced to 0.49 W



Contact resistance of 3 mΩ or less*
Suppressing heat generation under high current operations
*Reference value measured at 80 A, 6 VDC using the voltage drop method

Contactors weigh approx. 1 kg



HE-R relays weigh 180 g

Compared to contactors, the HE-R relays **use fewer materials while maintaining the same breaking performance.**