

PRODUCT FEATURES

- ▶ Super quiet with noise level only 36.5dB(A)@1m on high speed
- ▶ DC motor for superior performance and energy efficiency
- ▶ Constant air volume output promises performance and widens spec-in solutions
- ▶ 24 hour ventilation settings to avoid mould and damp issues
- ▶ Built in 15 minute run-on timer, no external timer is required
- ▶ Built in backdraft damper meets BCA requirements
- ▶ Slim profile and compact design making it suitable for tight ceilings
- ▶ Light weight making installation easier
- ▶ Intelligent motion sensor detects human activity for auto on/off (FV-24JR3 only)
- ▶ Peace of mind with 3 year parts and labour warranty

FV-24JR3 (WITH MOTION SENSOR)

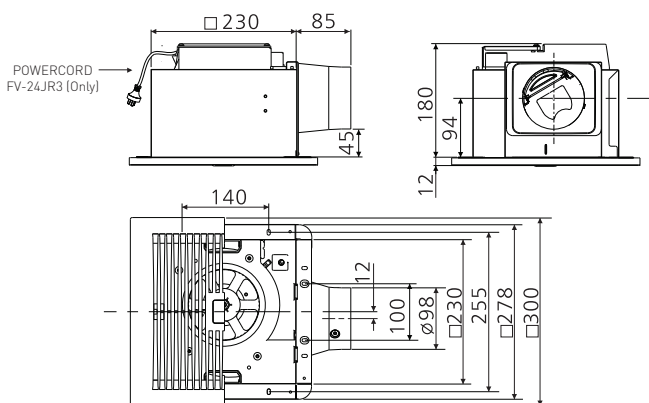


FV-24JA3



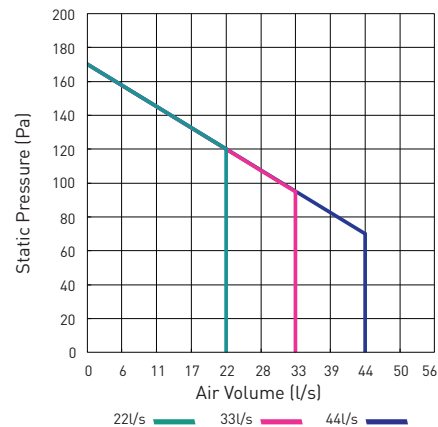
DIMENSIONS

FV-24JR3 & FV-24JA3



PERFORMANCE CURVE

FV-24JR3 & FV-24JA3



MODEL	ELECTRICAL SUPPLY	AIR VOLUME [l/s]	POWER CONSUMPTION [W]	NOISE @ 1m [dB(A)]	NET WEIGHT [kg]	INSTALLATION CUT-OUT [mm]	DUCT DIAMETER [mm]
FV-24JR3	240V	44	9.3	36.5	3.0	230x230	100
&	SINGLE PHASE	33	5.5	30.5			
FV-24JA3	50Hz	22	3.6	24.5	2.9		

Please read the Installation Instructions carefully before installing the unit, and the Operating Instructions before using it. Specifications are subject to change without prior notice. The contents of this catalogue are accurate as of November 2020. Due to printing considerations, the actual colours may vary slightly from those shown. All graphics are provided merely for the purpose of illustrating a point.
21VEN0401

Panasonic Australia Pty. Limited

1 Innovation Road,
Macquarie Park,
NSW 2113
ACN 001 592 187
ABN 83 001 592 187
Website : aircon.panasonic.com.au

Panasonic

AIR CONDITIONING