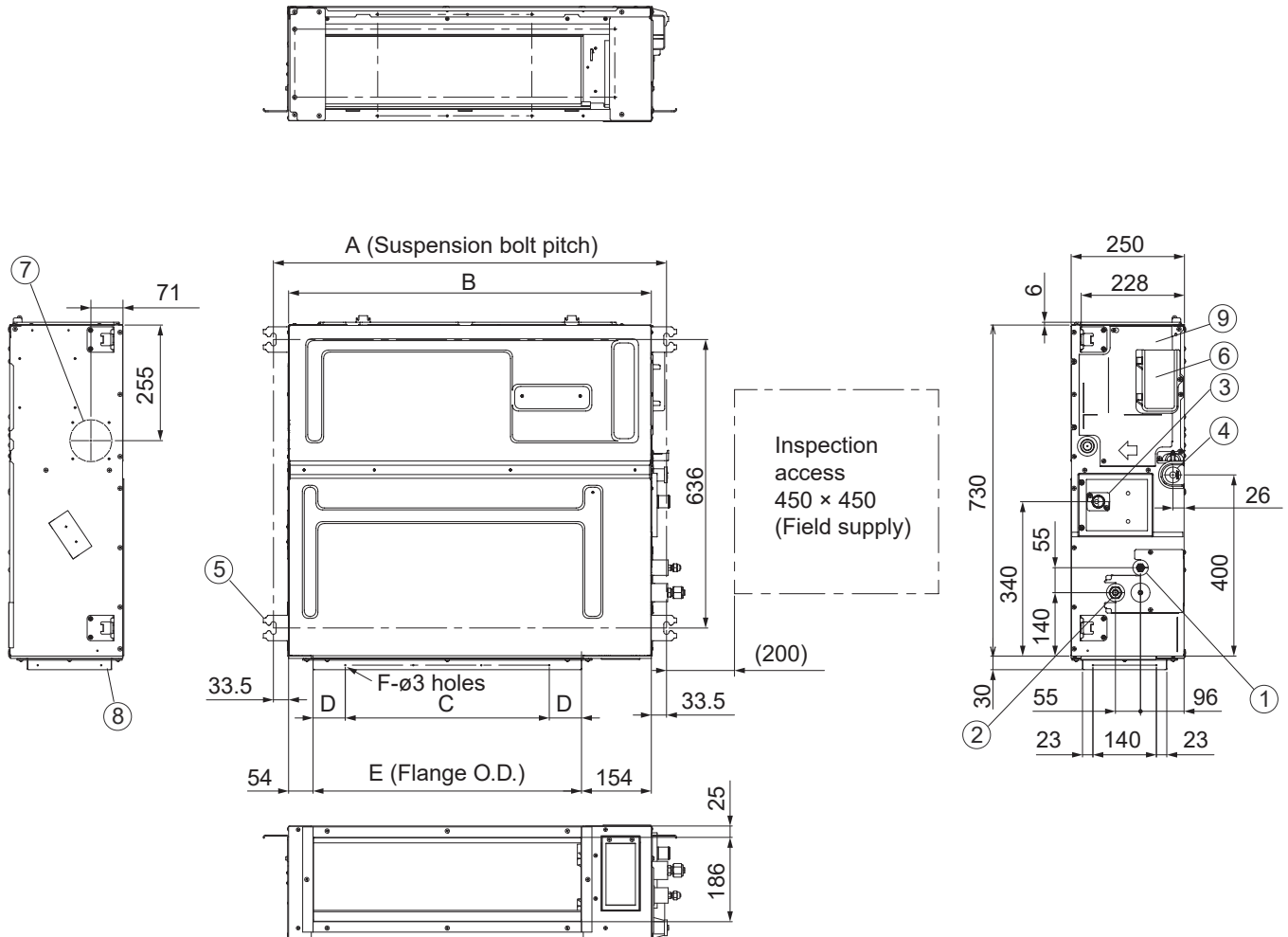


1-2-1-2. Middle Static Pressure Duct Type S-3650PF3E, S-6071PF3E, S-1014PF3E

Type	A	B	C	D	E	F
	mm	mm	mm	mm	mm	Q'ty
3650	867	800	450 (Pitch 150 × 3)	71	592	12
6071	1,067	1,000	750 (Pitch 150 × 5)	21	792	16
1014	1,467	1,400	1,050 (Pitch 150 × 7)	71	1,192	20

Unit: mm



①	Refrigerant tubing joint (liquid tube) S-3650PF3E : $\phi 6.35$ (flared) S-6071PF3E : $\phi 9.52$ (flared) *1 S-1014PF3E : $\phi 9.52$ (flared)
②	Refrigerant tubing joint (gas tube) S-3650PF3E : $\phi 12.7$ (flared) S-6071PF3E(60) : $\phi 15.88$ (flared) *2 S-6071PF3E(71) : $\phi 15.88$ (flared) S-1014PF3E : $\phi 15.88$ (flared)
③	Upper drain port VP20 ($\phi 26$ mm) 200 mm flexible hose supplied
④	Bottom drain port VP20 ($\phi 26$ mm)
⑤	Suspension lug (4 – 12 × 30 mm)
⑥	Power supply outlet
⑦	Fresh air intake port ($\phi 100$ mm) *3
⑧	Flange for flexible air outlet duct
⑨	Electrical component box

*1 When connecting with U-60PZ3R5 or U-71PZ3R5, connect the liquid socket tube ($\phi 9.52$ - $\phi 6.35$) to the liquid tubing side indoor unit.

*2 When connecting with U-60PZ3R5, connect the gas socket tube ($\phi 15.88$ - $\phi 12.7$) to the gas tubing side indoor unit.

*3 Necessary to attach duct connecting flange (field supply).