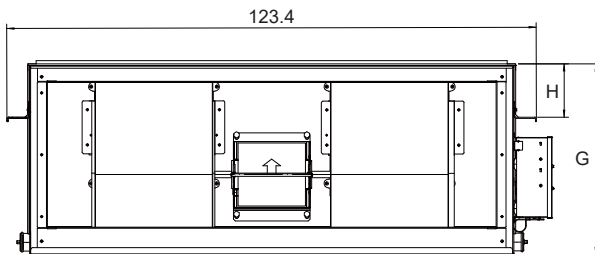
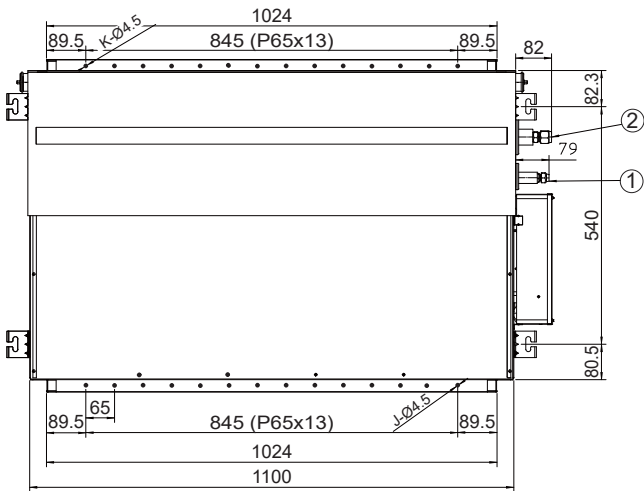
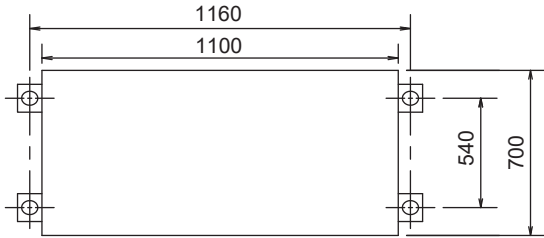


1-2-1-3. High Static Pressure Duct Type S-60PE3R, S-71PE3R, S-100PE3R, S-125PE3R, S-140PE3R

POSITION OF SUSPENSION BOLT

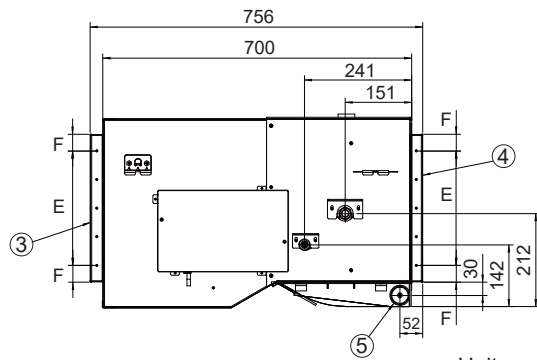


Unit:mm

TYPE	E	F	G	H	J	K
S-60PE3R	130(P65x2)	33.1	290	118	34	34
S-71PE3R S-100PE3R	195(P65x3)	35.7	360	50	36	36
S-125PE3R S-140PE3R	260(P65x4)	38.2	430	121.5	38	38

①	Refrigerant liquid tubing(Flare) Ø9.52
②	Refrigerant gas tubing(Flare) Ø15.88
③	Air intake High Static Pressure duct connecting side flange
④	Air discharge High Static Pressure duct connecting side flange
⑤	Drain port

●The PZ3 series type 60 and 71 outdoor unit refrigerant pipe is different dimention from indoor unit. the connecting menthod please See “Connecting Tubing Between Indoor and Outdoor Units” on page 1-11-1-3-28.



Unit:mm

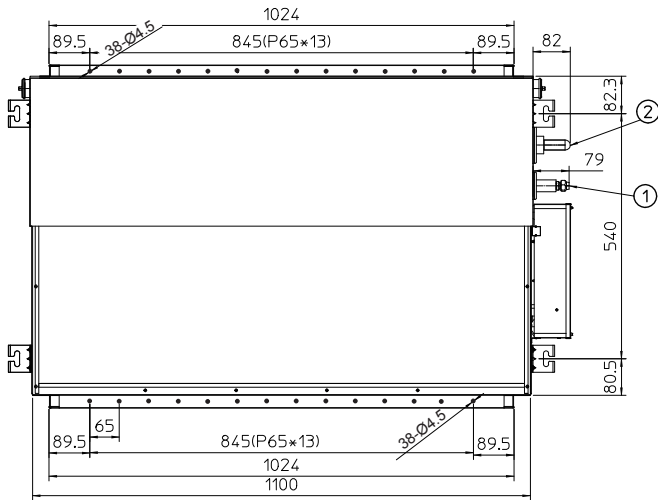
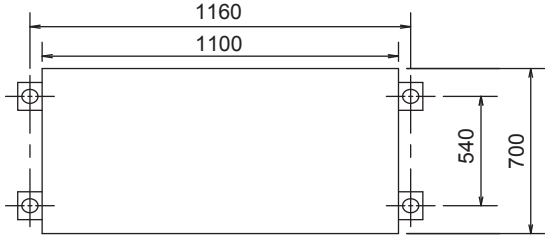
1-4. Dimensional Data

(A) Indoor Units

High Static Pressure Duct Type

S-160PE3R

POSITION OF SUSPENSION BOLT



①	Refrigerant liquid tubing(Flare) Ø 9.52
②	Refrigerant gas tubing(Brazing) Ø 19.05
③	Air intake duct connecting side flange
④	Air discharge duct connecting side flange
⑤	Drain port

