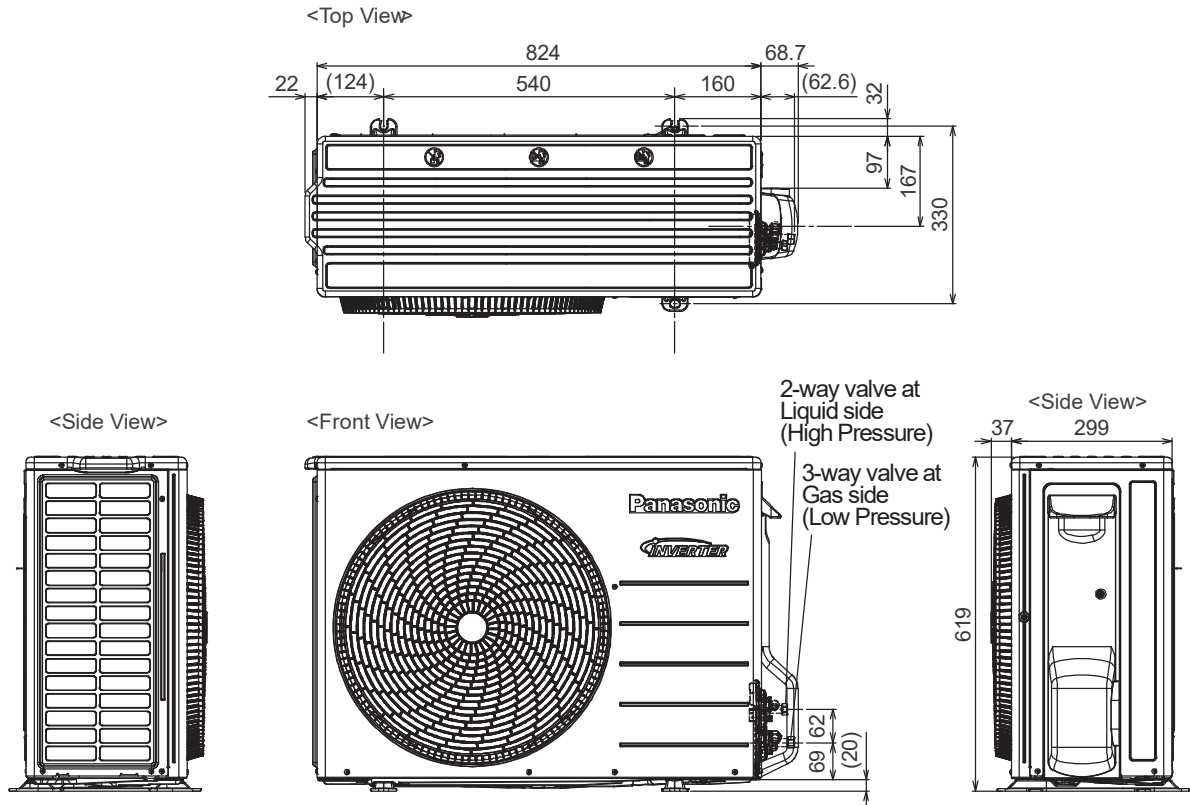


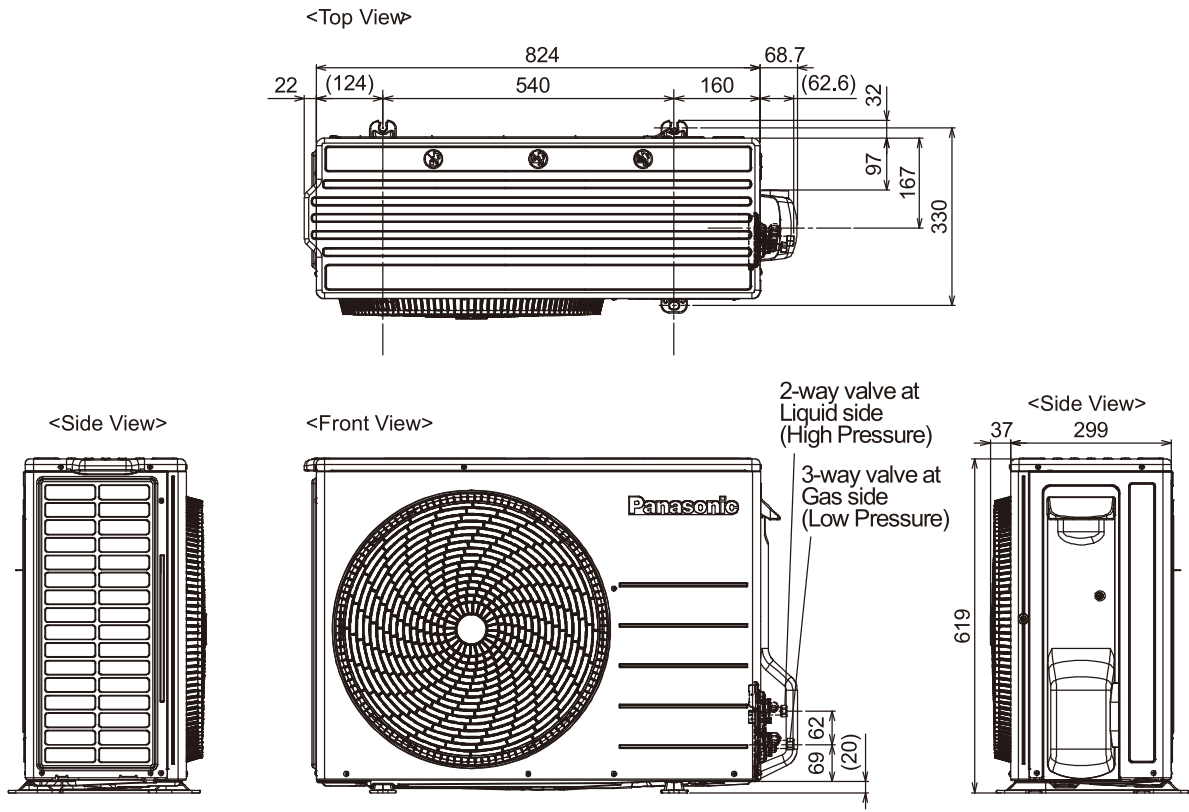
1-2-2. Outdoor Unit

1-2-2-1. PZ3 U-25PZ3R5, U-36PZ3R5, U-50PZ3R5

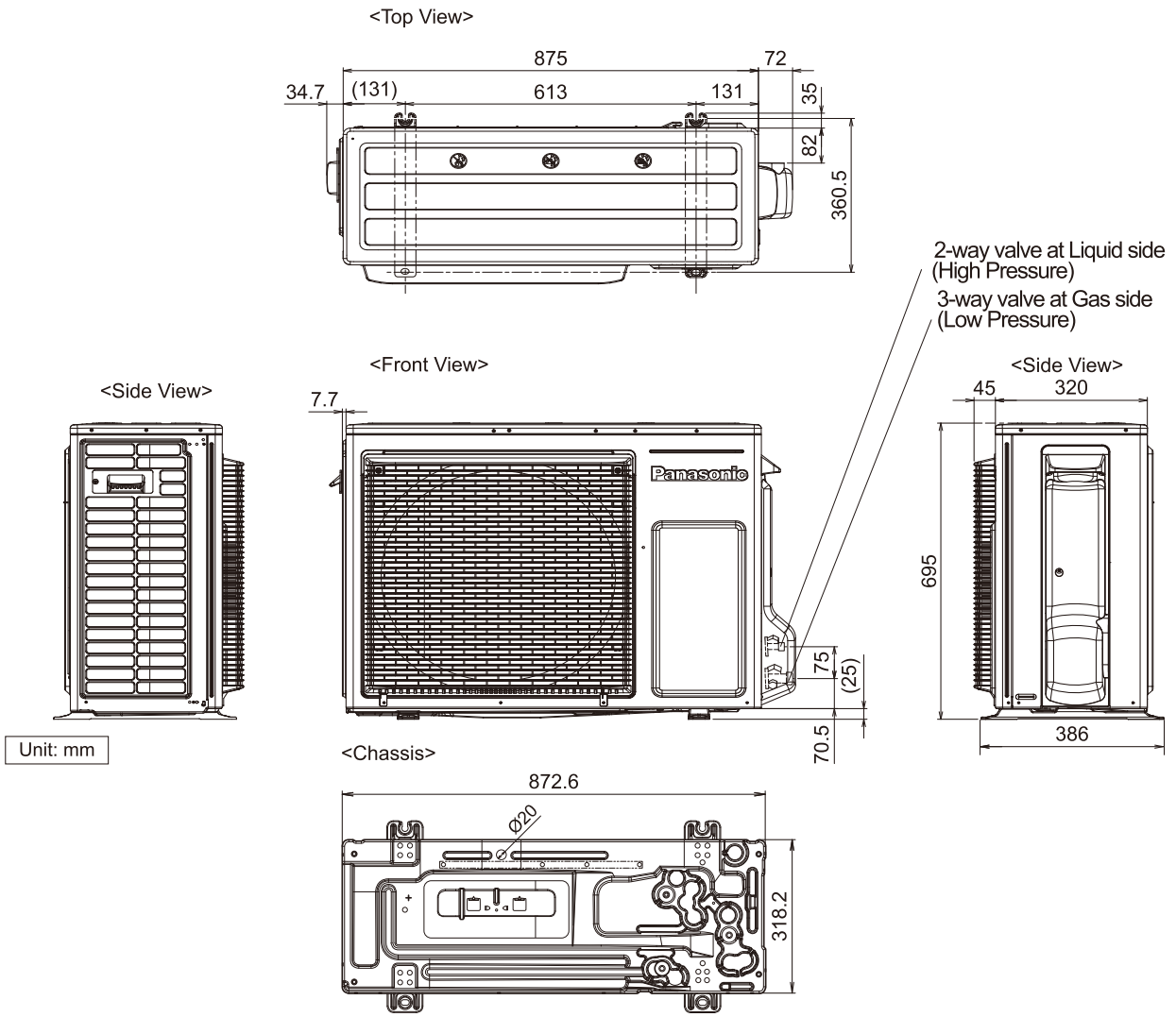


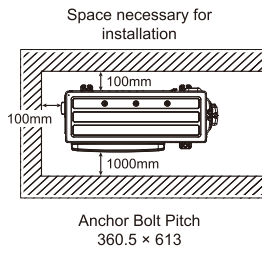
Unit: mm

(B) Outdoor Unit
PZ4 U-60PZ4R5

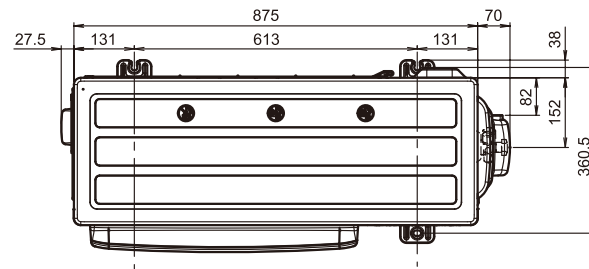


Unit: mm

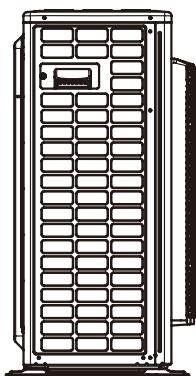




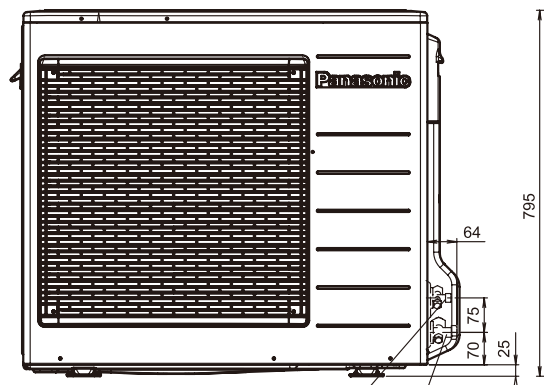
<Top View>



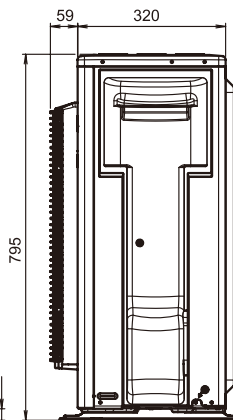
<Side View>



<Front View>



<Side View>

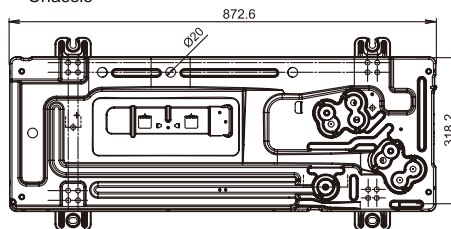


Unit : mm

3-way valve at Gas side
(Low Pressure)

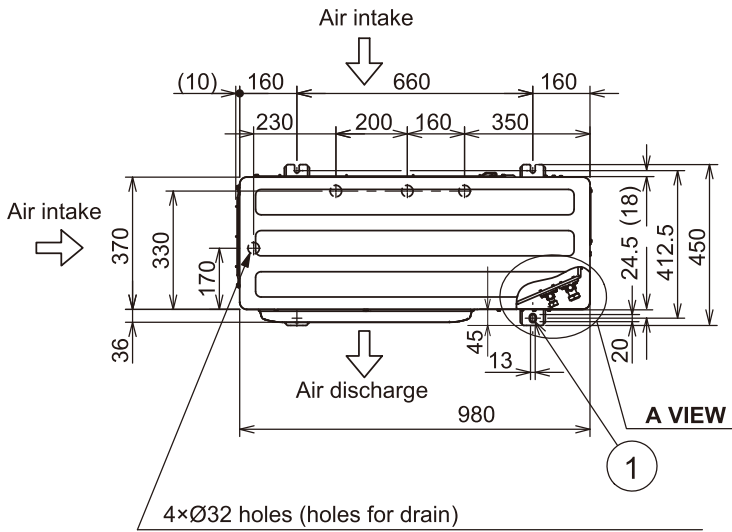
2-way valve at Liquid side
(High Pressure)

<Chassis>



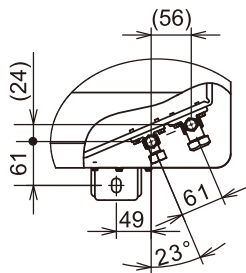
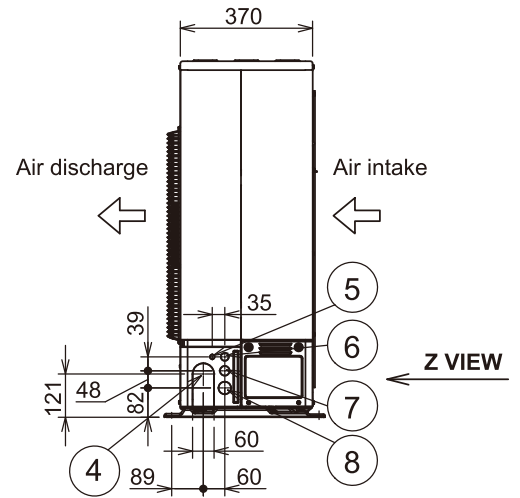
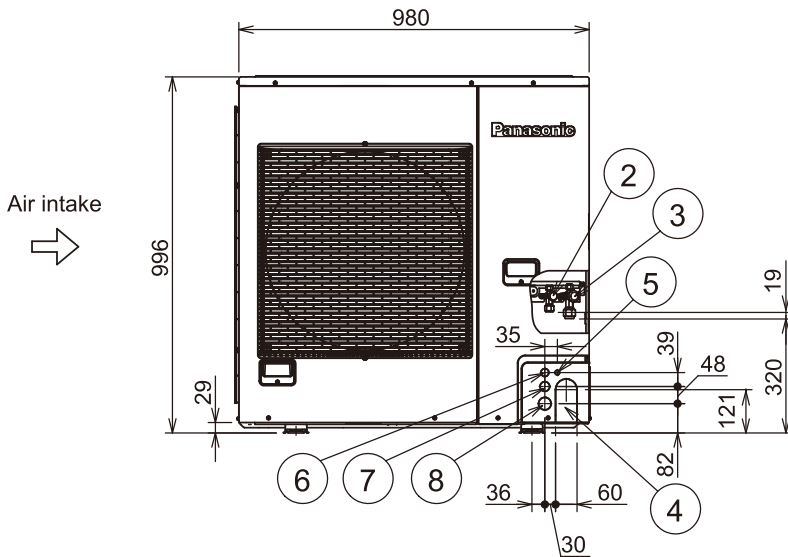
PZ4 U-125PZ4R5, U-140PZ4R5
U-100PZ4R8, U-125PZ4R8, U-140PZ4R8

Unit: mm

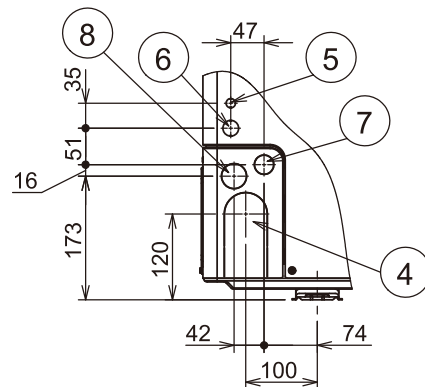


①	Mounting hole (4-R6.5), anchor bolt : M10
②	Refrigerant tubing (liquid tube), flared connection (Ø9.52)
③	Refrigerant tubing (gas tube), flared connection (Ø15.88)
④	Refrigerant tubing port
⑤	Electrical wiring port (Ø13)
⑥	Electrical wiring port (Ø22)
⑦	Electrical wiring port (Ø27)
⑧	Electrical wiring port (Ø35)

When using a drain pipe, install the drain socket (field supply) on to the drain hole. Seal the other drain hole with the rubber cap.



A VIEW



Z VIEW