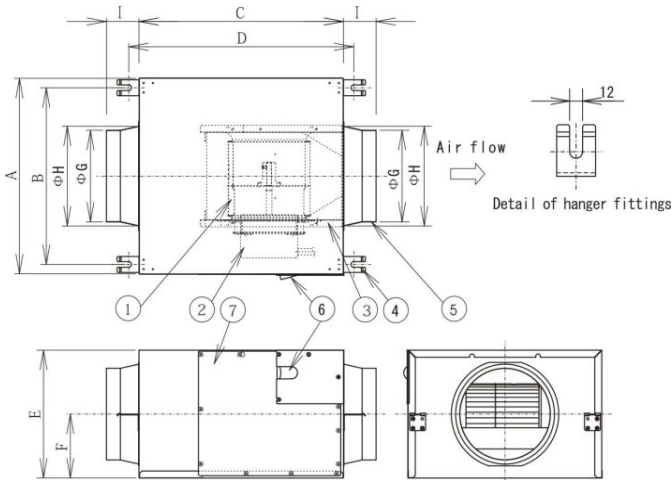


Specification Data Sheet

Issue date: 2009.05.22
 Revise date: 2009.06.19

Cabinet Fan Model No. FV-18NS3

Dimension



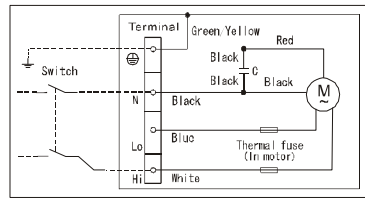
Unit: mm

A	B	C	D	E	F	G	H	I	CONNECTER DUCT DIMENSION
316	276	338	382	232	116	145	163	60	Φ 150

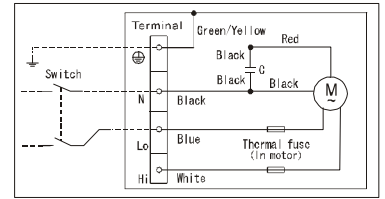
Parts list

No.	Parts name	Q'ty	Material
1	Impeller	1	METAL
2	Motor	1	-
3	Fan casing	1	METAL
4	Hanger fitting	4	METAL
5	Adapter	2	METAL
6	Terminal cover	1	METAL
7	Inspection panel	1	METAL

Wiring Diagram

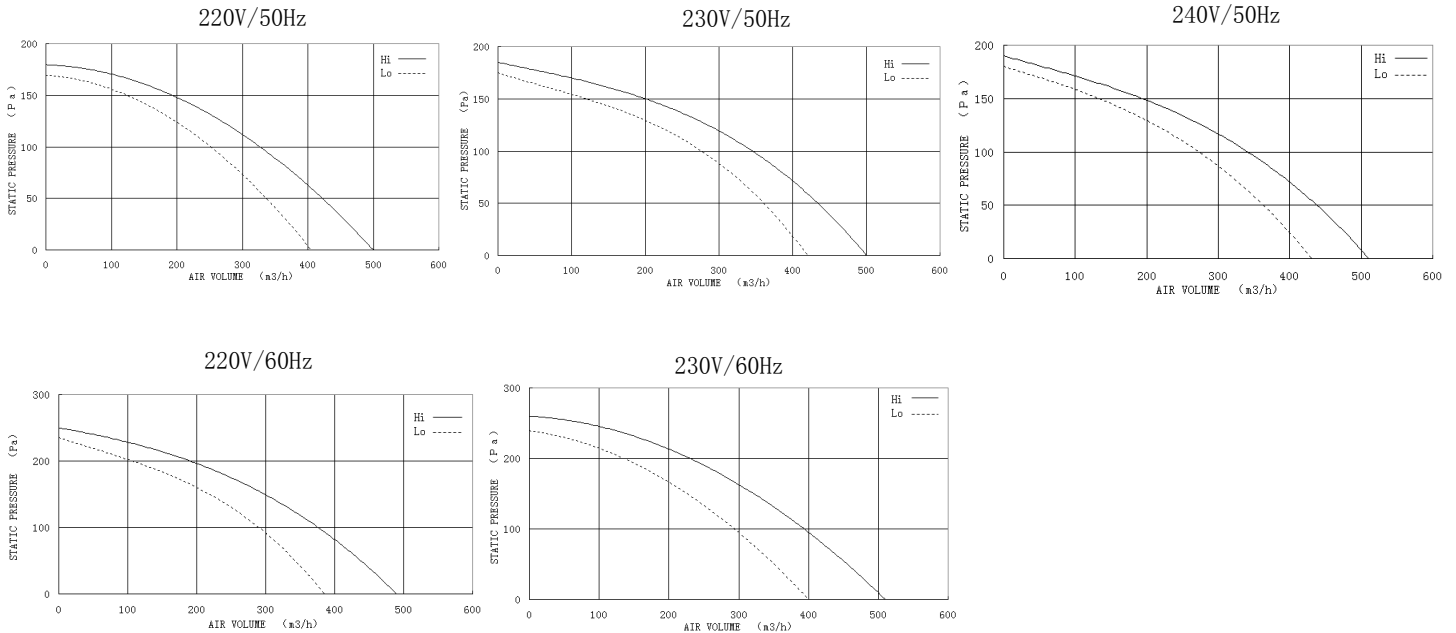


Hi Speed



Lo Speed

Air Volume - Static Pressure Curve



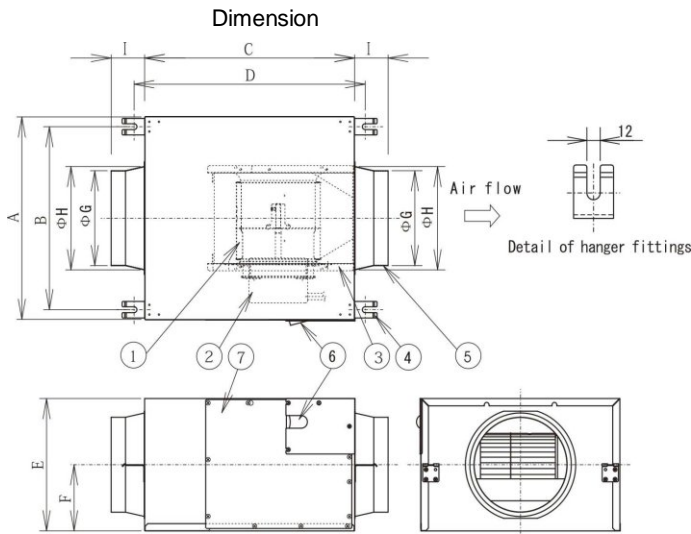
Specifications

Power Rating	V/Hz	220/50		230/50		240/50		220/60		230/60	
		Hi	Lo	Hi	Lo	Hi	Lo	Hi	Lo	Hi	Lo
Air Volume	m ³ /h(±10%)	500	405	500	420	510	430	490	385	510	400
Static pressure	Pa	180	170	185	175	190	180	250	235	260	240
Noise Level	dB(A) +3dB, -7dB	29	27	30	28	31	28	30	26	32	27
Consumption	W(±20%)	60	55	65	58.5	68	62.5	73	62.5	79	67.5
Current	A(±20%)	0.28	0.25	0.29	0.26	0.29	0.26	0.33	0.28	0.34	0.29
Net Weight	kg	8.5									

Specification Data Sheet

Issue date: 2009.05.22
Revise date: 2009.06.19

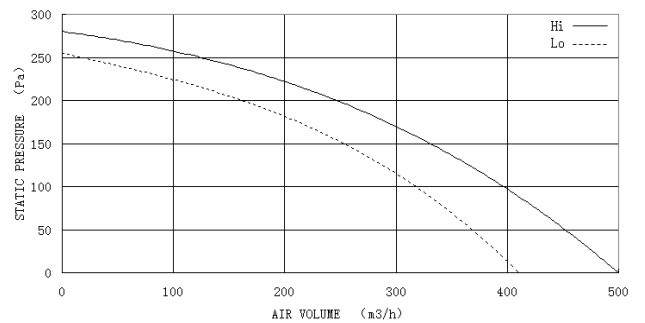
Cabinet Fan Model No. FV-18NS3 12



Parts list

No.	Parts name	Q'ty	Material
1	Impeller	1	METAL
2	Motor	1	-
3	Fan casing	1	METAL
4	Hanger fitting	4	METAL
5	Adapter	2	METAL
6	Terminal cover	1	METAL
7	Inspection panel	1	METAL

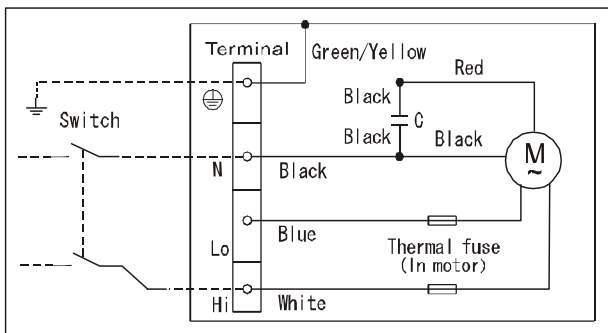
Air Volume - Static Pressure Curve



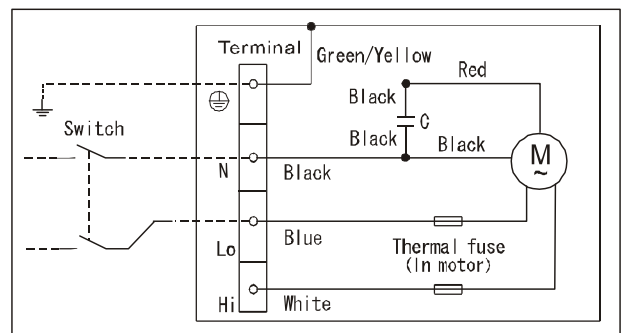
Unit: mm

A	B	C	D	E	F	G	H	I	CONNECTER DUCT DIMENSION
316	276	338	382	232	116	145	163	60	Φ150

Wiring Diagram



Hi Speed



Lo Speed

Specifications

Power Rating	V/Hz	127/60	
		Hi	Lo
Air Volume	m ³ /h(±10%)	500	410
Static pressure	Pa	280	255
Noise Level	dB(A) +3dB,-7dB	31	28
Consumption	W(±20%)	79	75
Current	A(±20%)	0.64	0.58
Net Weight	kg	8.5	