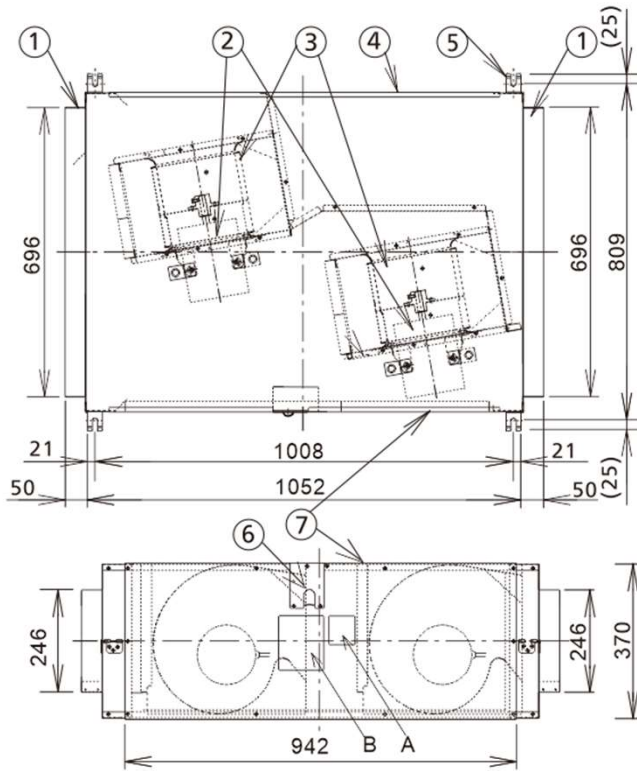


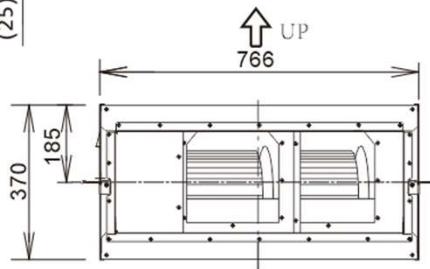
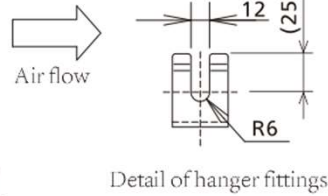
## External Dimensions

### Mounting Dimensions :



### Labeling Position

Mark	Item	Comment
A	Name plate	-
B	PL Label	-



Duct size: 250×700

## Component Parts List

### Parts List

Mark	Part Name	Material	Quantity	Comment
①	Adapter	Metal	2	-
②	Motor	-	2	-
③	Impeller	Metal	2	-
④	Fan casing	Metal	1	-
⑤	Hanger fitting	Metal	4	-
⑥	Terminal cover	Metal	1	-
⑦	Inspection panel	Metal	1	-

Product		Page	1/2	
CAB/F		Model		
FV-25SM3 04		Make Date	2021.05.10	Scale
Modification Date		Drawing No.	CAB21003	
		Modification No.		
Panasonic Ecology Systems Guangdong Co., Ltd.				

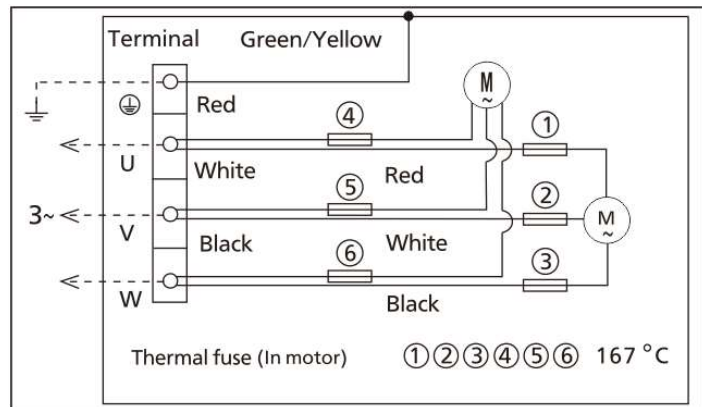
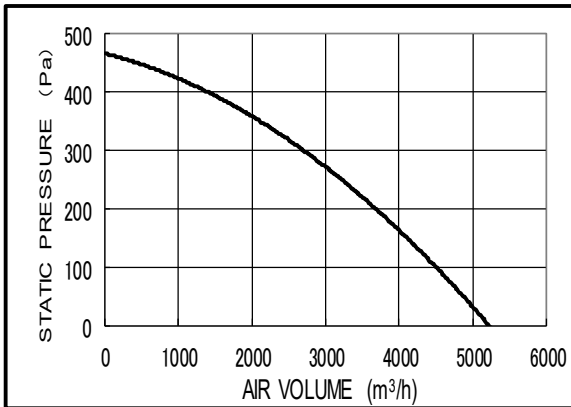
## ➤ Accessory List

Item	Quantity	Comment (usage)
Installation and operating instructions	1	-
Protect tube	1	Used to protect power cord.
Band	1	Used to fix the protect tube.
Warranty card	1	-

## ■ Authentication Information

➤ No need.

## ■ Specification Data



Rated voltage/frequency	380 V 3~ 50 Hz
Air volume m <sup>3</sup> /h (±10%)	5200
Max static pressure Pa (≥90%)	470
Noise dB(A) +3dB,-7dB	45
Power consumption W (±15%)	1180
Current A (±15%)	2.3
Product weight kg	60
Motor type	3 phase AC motor (Class F)
Insulation resistance	More than 10MΩ
Electric strength	Can withstand 1880V 1 min
IPX level	IPX2
Environment temperature	-10~40°C

1. The air volume, electric characteristic and noise are specified at the static pressure of 0 Pa.
2. Noise value is the weighted sound pressure grade A, which is the central value measured by this company, its tolerance range is from +3 dB to -7 dB.
3. The values of noise level are measured at the 1.5 m apart from the side of the fan body when ducts are connected on both inlet and outlet side. The test method is that the test point insulates from inlet and outlet, measures the noise of fan body straightly.
4. The values of air volume are the mid-points of results measures by this company, within ±10% tolerance. With the external duct of product becoming longer, static pressure increases, product noise will increase.

Product		Page	2/2	
CAB/F		Model		
FV-25SM3 04				
Make Date	2021.05.10	Scale	Drawing No.	CAB21003
Modification Date			Modification No.	
Panasonic Ecology Systems Guangdong Co., Ltd.				