

## Ventilating Fan Specifications

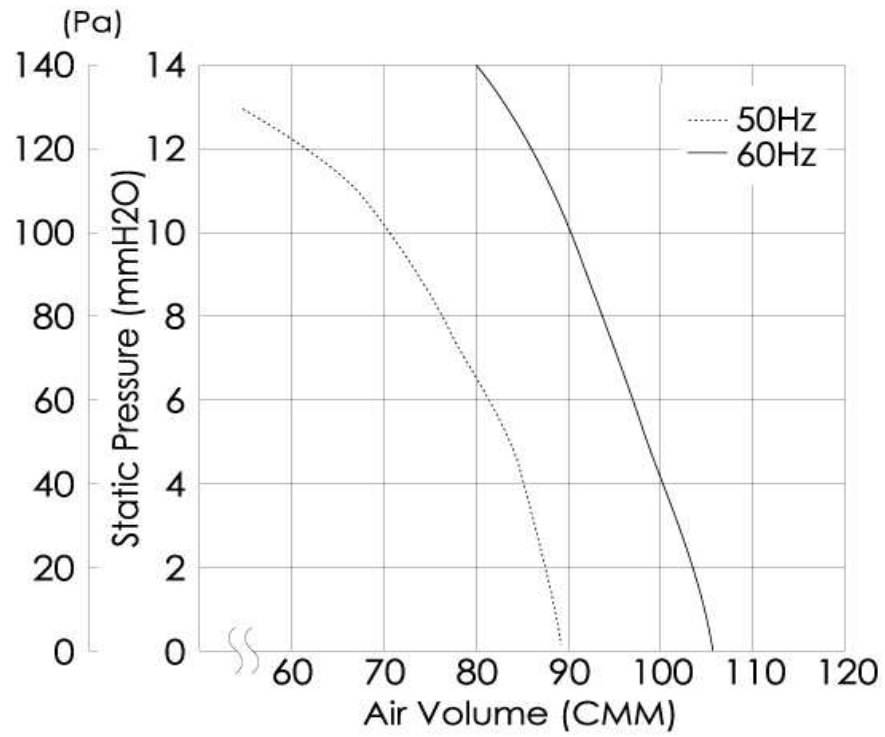
**Model FV-45GT4**

		200V		220V		380V		400V	415V	440V
		50Hz	60Hz	50Hz	60Hz	50Hz	60Hz	50Hz	50Hz	50Hz
Air Volume	CMH $\pm$ 10%	5,490	6,390	5,520	6,420	5,520	6,420	5,520	5,550	5,580
Power Consumption	W $\pm$ 15%	230	390	240	360	220	330	225	230	235
Current	A $\pm$ 15%	1.00	1.30	1.10	1.20	0.54	0.62	0.56	0.57	0.59
Speed	R/M $\pm$ 10%	1,450	1,680	1,460	1,720	1,450	1,690	1,460	1,460	1,460
Starting Current	A	6.5	5.7	6.9	6.2	3.6	3.6	3.7	3.8	3.8
Noise	dB (A)	52	56	52	57	52	56	52	52	52

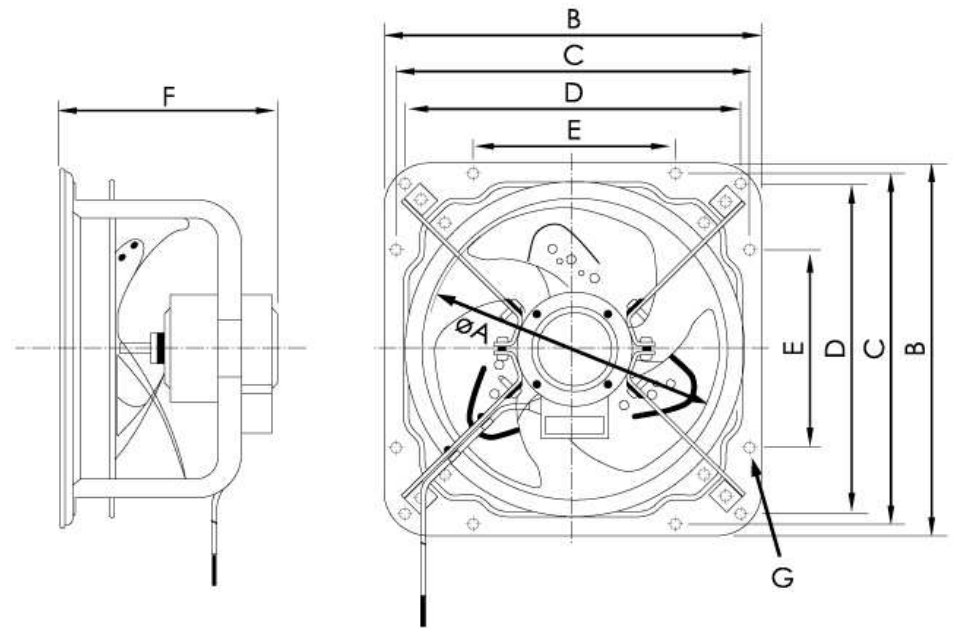
at 0mmAq. Static pressure.

1. Power Rating ----- 3 PASE AC 200-220V 50/60Hz  
3 PASE AC 380-440V 50Hz. AC 380V 60Hz
2. Motor Type ----- 3 PASE induction motor. Class E. 4Pole
3. Blade Type ----- Propeller fan
4. Ambient temperature ----- - 10 to 50 deg.C
5. Insulation Resistance ----- More than 1 meg ohm
6. Electric Strength ----- AC 1500V 1 minute
7. Weight ----- 18.5 Kg
8. Color ----- White

## Performance Data



## Dimension



FV-45GT4	A	B	C	D	E	F	G
	450	570	540	-	320	297	12