

Ventilating Fan Specifications

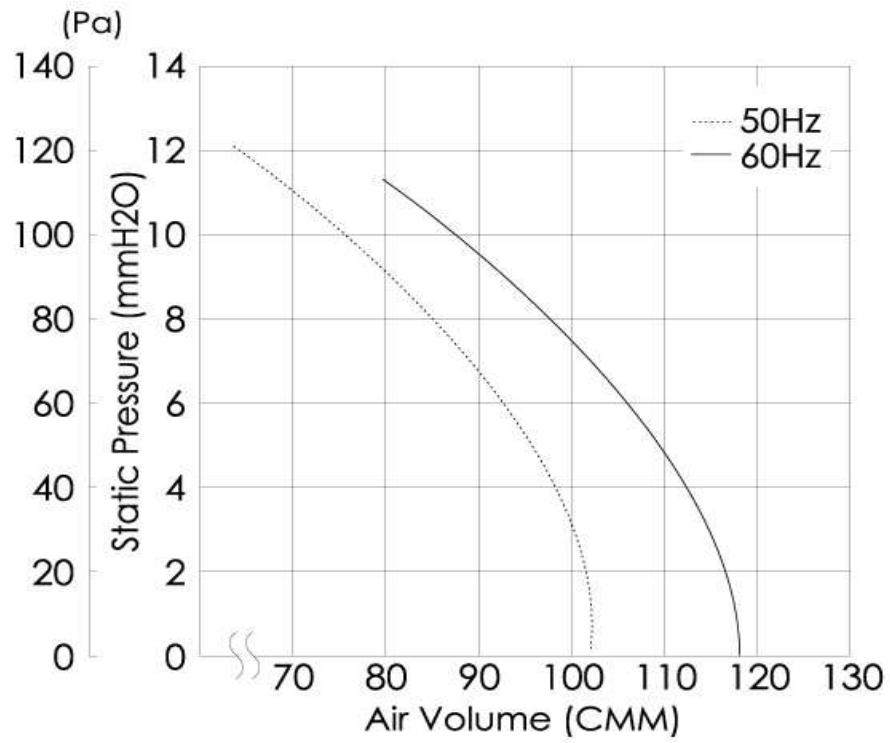
Model FV-50GS4

		110V		120V		127V		220V		230V		240V
		50Hz	60Hz	50Hz	60Hz	50Hz	60Hz	50Hz	60Hz	50Hz	60Hz	50Hz
Air Volume	CMH \pm 10%	6,180	6,720	6,360	7,080	6,390	7,260	6,390	7,200	6,420	7,220	6,480
Power Consumption	W \pm 15%	215	298	229	310	250	323	249	326	258	329	271
Current	A \pm 15%	2.40	2.80	2.50	2.60	2.60	2.60	1.50	1.50	1.60	1.50	1.60
Speed	R/M \pm 10%	950	1,110	960	1,130	960	1,130	960	1,130	960	1,140	970
Starting Current	A	8.5	7.8	9.2	8.4	9.6	8.9	5.4	4.8	5.5	5.0	5.7
Noise	dB (A)	47	51	47	51	47	51	47	51	47	51	47

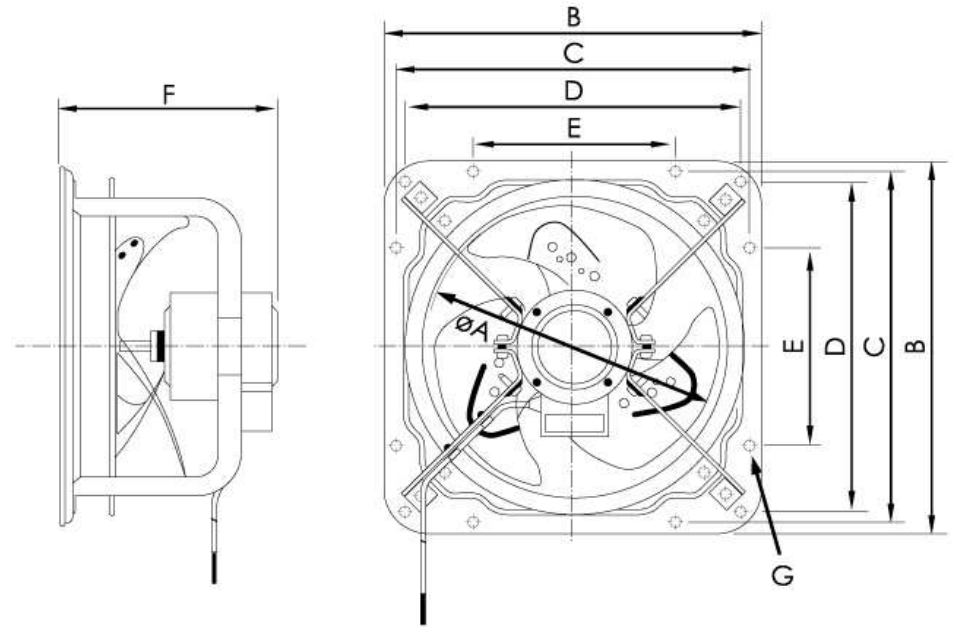
at 0mmAq. Static pressure.

- | | |
|--------------------------------|--|
| 1. Power Rating ----- | 1 PASE AC 110-127V 50/60Hz
1 PASE AC 220-240V 50Hz. AC 220V-230V 60Hz |
| 2. Motor Type ----- | Capacitor start and run induction motor. Class E. 6 Poles |
| 3. Blade Type ----- | Propeller fan |
| 4. Ambient temperature ----- | - 10 to 50 deg.C |
| 5. Insulation Resistance ----- | More than 1 meg ohm |
| 6. Electric Strength ----- | AC 1500V 1 minute |
| 7. Weight ----- | 22.5 Kg |
| 8. Color ----- | White |

Performance Data



Dimension



FV-50GS4	A	B	C	D	E	F	G
	500	659	620	560	355	315	15