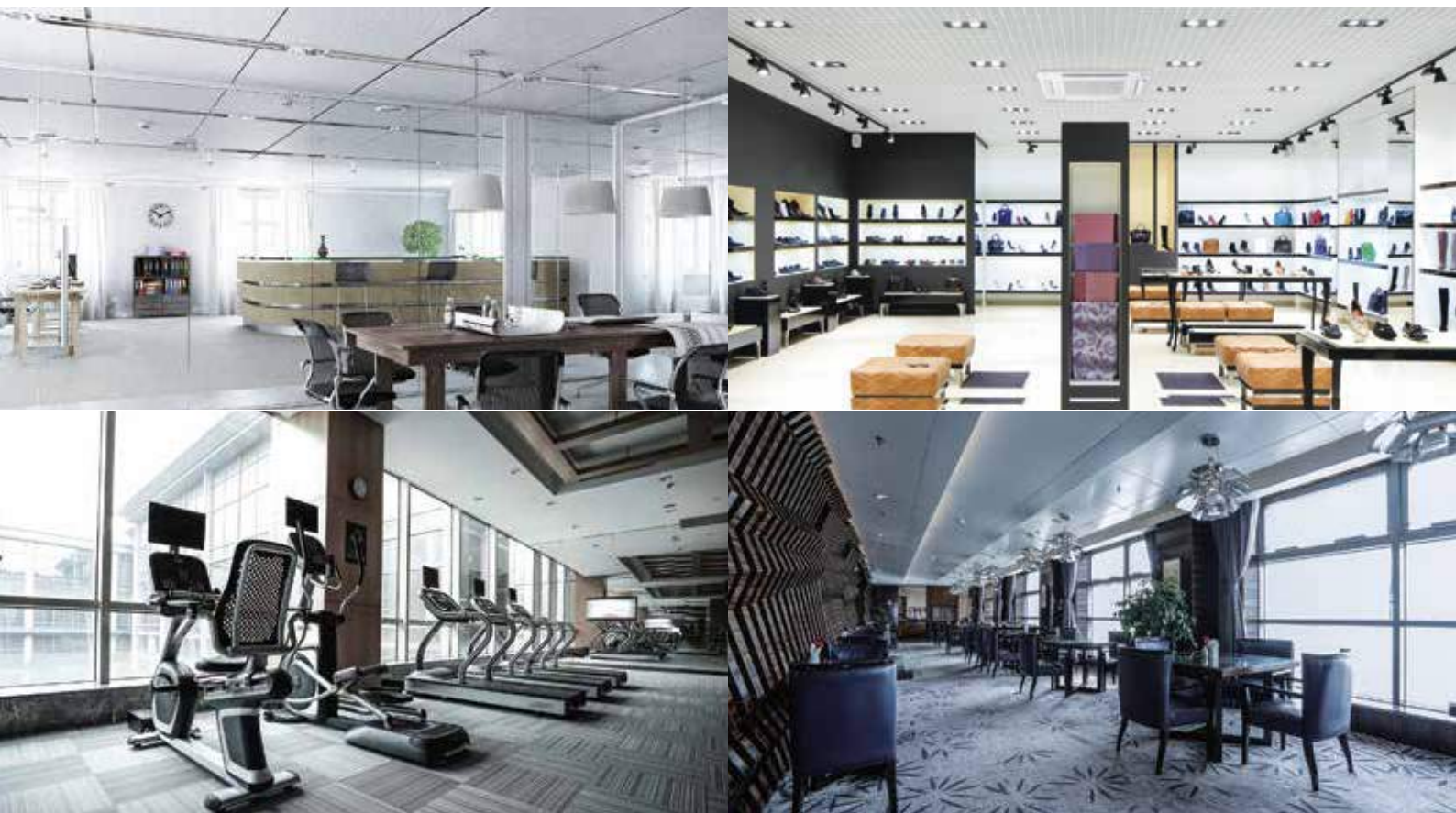


Panasonic

BUSINESS

SINGLE-SPLIT PACKAGED AIR CONDITIONERS

2020 / 2021



QUALITY AIR FOR LIFE

Extremely Clean Air and Energy-Saving Efficiency

Panasonic packaged air conditioners offer comfortable room environments. They all* come standard equipped with unique nanoe™ technology that suppresses unpleasant odors and inhibits bacteria and viruses. And they feature a wide lineup of indoor and inverter type outdoor units for use in a variety of locations, such as offices, residences, restaurants, and shops. Panasonic air conditioners provide solutions for comfortable, clean air and energy savings at all times.

*4-Way Cassette Type only.



What's new



New nanoe™ X containing plenty of OH radicals that inhibits bacteria and virus, deodorizes unpleasant odors and keeps room air clean and fresh.



CONTENTS

FEATURE HIGHLIGHT

Introduction	2-3
4-Way Cassette NEW ///	4-5
nanoe™ TECHNOLOGY	6-7
R32 Outdoor Units NEW ///	8-9
Remote Controller	10-11

NON-INVERTER

Model Line-Up	12-13
---------------------	-------

Specifications

4-Way Cassette NEW ///	14-15
Mini Cassette	16-17
Floor Standing	18-19

Outdoor Units

Dimensions	20-23
------------------	-------

INVERTER

Model Line-Up	24-25
---------------------	-------

Specifications

4-Way Cassette	26-27
Mini Cassette	28-29
Ceiling Suspended	30-31
Ceiling Ducted	32-33

Outdoor Units

Dimensions	34-35
------------------	-------

4-Way Cassette **R32** **NEW** ///



4-Way Cassette with R32 refrigerant
Provides environmentally friendly products and more efficient performance for non inverter models

Flexible Installation



Highly efficient inverter operation achieves superior energy-savings. And all models are 1-Fan types for easier installation and construction.

4-Way Cassette **NEW**

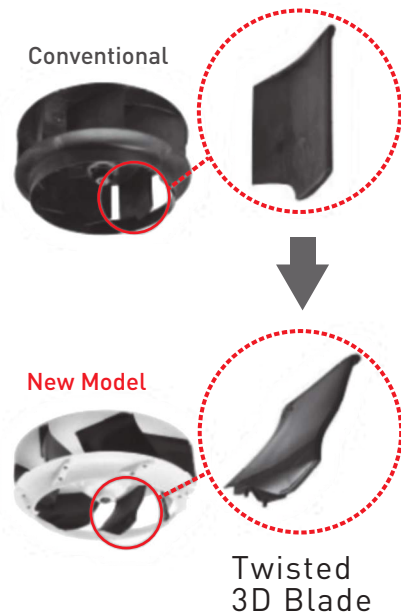


Provides a neat fit in the ceiling to match modern decor, and uniform cooling throughout the room, plus easy installation.



Powerful Airflow

The Twisted 3D Blade Fan with compact design can increase airflow.

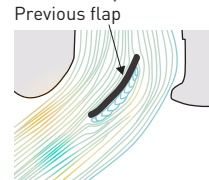
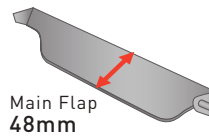


Wide Flap

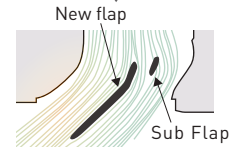
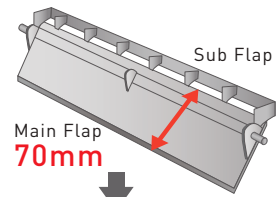
Adding a sub flap and widening the main flap have reduced turbulence and increased airflow. Also, the wider angle jetting port allows the airflow to reach as far as five meters.



Conventional



New Model



As airflow turbulence is reduced, airflow velocity gets higher.

360° Wide & Comfortable Airflow

Air coming out of the centre of the discharge outlets travels farther. Air is discharged across a wide area from the four sides of the unit. The curves on the room temperature distribution graph expand gently out through 360° in a circle centred on the indoor unit.

Ample airflow: 33 m³/min
Industry's leading in the 45PU class.

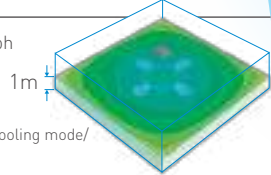


360° Wide

Temperature distribution by thermograph (cooling operation)



Simulation conditions:
45PU 4-way ceiling-mounted cassette type in cooling mode/
Floor area of 225 m²/ Ceiling height of 3 m



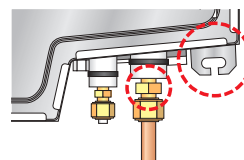
Flat Horizontal Design

Panasonic believes that one of the most important elements of design is that it doesn't interfere with the overall room interior. The flat horizontal design of the 4-way Cassette achieves an elegant, yet simple form. This design allows it to protrude only 33.5 mm from the ceiling, to blend naturally into a variety of interiors, including offices and restaurants.

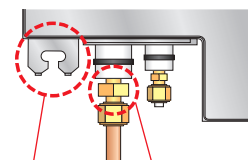


Easy Installation Design

With conventional models, it was difficult to use tools without damaging the interior. This has been redesigned for easier installation.



Previously, the eye bolts were hard to attach because of the bracket's shape



The nut has become larger, so it is easier to hold
By improving it to a V-shape, it is easier to install



nanoe™ is Panasonic's unique air purifying technology. Introduced in 2003, nanoe™ has brought comfortable, clean air to a wide variety of living environments. By conducting further research & development, Panasonic has now succeeded in developing nanoe™ X, with dramatically increased performance.

nanoe™ X Improves Air Quality

Panasonic's unique nanoe™ X has an outstanding effect on various air pollutants, including allergens, viruses and bacteria, as well as cigarette and other household odors. It takes reliable air purification performance another step forward.



Deodorizes unpleasant odors*1 *2 *3



nanoe™ X works on the substances responsible for odors to deodorize them.

Inhibits bacteria and virus*4 *5 *6 *7 *8



nanoe™ X suppresses airborne particles including bacteria, viruses and mould.

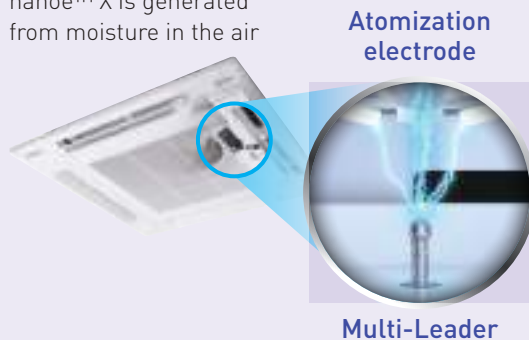
*1 Adhering odor of cigarette [Effectiveness]: Decrease by 1.7 level [Testing Institute]: Gunma Research Center [Test Report No.]: No. 27055 [Result]: Decrease in odor intensity by 0.7 level after 2 hour of operation.
 *2 Floating odor of cigarette [Effectiveness]: Decrease by 0.8level [Test Lab Size]:136.5m3 [Testing Institute]: Panasonic Corporation Product Analysis Center [Test Report No.]: 4AA33-170117-A01 [Result]: Decrease in odor intensity by 0.8 level after 2 hour of operation.
 *3 Adhering odor of Meat Grilling [Effectiveness]: Decrease by 0.9 level [Test Lab Size]:67.7m3 [Testing Institute]: Panasonic Corporation Product Analysis Center [Test Report No.]: 4AA33-170203-A03 [Result]: Decrease in odor intensity by 0.9 level after 2 hour of operation.
 *4 Mould [Effectiveness]: Inhibit Mould Growth [Testing Institute]: Japan Food Research Laboratories [Test Report No.]: 13044083002-01 [Result]: The growth of the subject was inhibited after 8-hour nanoe™ operation.
 *5 Bacteria [Effectiveness]: 99% [Testing Institute]: Kitasato Research Center for Environmental Science [Test Report No.]: KRCE-Env. Test Report 24_0301_1 [Result]: 99% of deactivation after 4-hour nanoe™ operation.
 *6 Bacteria [Effectiveness]: 99% [Testing Institute]: Japan Food Research Laboratories [Test Report No.]: 13044083002-01 [Result]: The growth of the subject was inhibited after 8-hour nanoe™ operation.
 *7 Viruses [Effectiveness]: 99% [Testing Institute]: Kitasato Research Center for Environmental Science [Test Report No.]: KRCE-Env. Test Report 24_0300_1 [Result]: 99% of deactivation after 6-hour nanoe™ operation.
 *8 Viruses [Effectiveness]: 99% [Testing Institute]: Japan Food Research Laboratories [Test Report No.]: 13001265005-01 [Result]: 99% of deactivation after 8-hour nanoe™ operation.

nanoe™ X Mechanism

Amount of OH radicals increases without increasing amount of ozone, leading to improved effectiveness!

Generation Mechanism

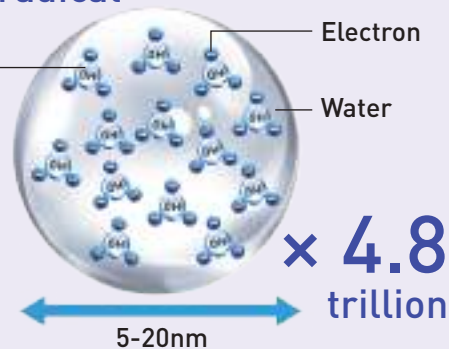
nanoe™ X is generated from moisture in the air



Atomization electrode

Structure

OH radical



How to Deodorize Odor*1 *2 *3

1 nanoe™ particles reach odors deep inside fabrics	2 OH radicals decompose odor-causing substances	3 Odors are eliminated
--	---	----------------------------------

How to Inhibit Bacteria, Virus and Mold*4 *5 *6 *7 *8

1 nanoe™ particles precisely reach allergens	2 OH radicals degenerate allergen proteins	3 Allergens are suppressed
--	--	--------------------------------------

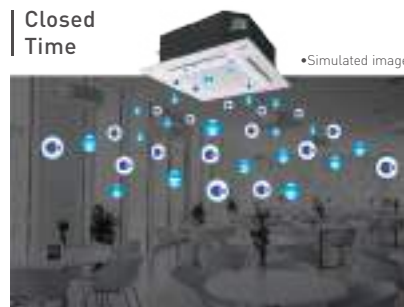
Also Cleans the Air When Not Air Conditioning

You can also use nanoe™ X in Fan mode when you're not cooling or heating the room. For example, you can use nanoe™ X to effectively suppress bacteria and odors without using excessive electricity when the office is empty or after business hours in a restaurant.



AC Mode + nanoe™ X

nanoe™ X purifies the room while maintaining the comfort temperature when people are in presence.



FAN Mode + nanoe™ X

After closing shops and facilities, nanoe™ X can perform air purification while they are not in use.

Case Examples of nanoe™



R32 Outdoor Units **NEW** ///

R32
REFRIGERANT



More Efficient, Less Space

While maintaining its strong power, higher energy efficiency of R32, coupled with Panasonic's technology, the ingenious design allows for a more compact outdoor unit that fits into any space and layout.

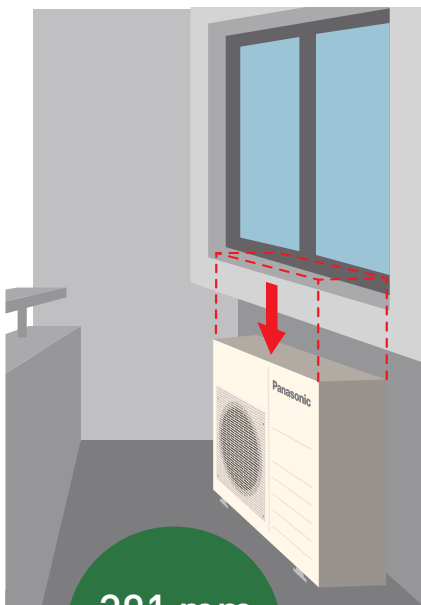
30–36k Btu/h Model

U-30PN1H5 / U-30PN1H8 / U-36PN1H8

Conventional Model

U-40PV1H8 H996 × W980 × D370

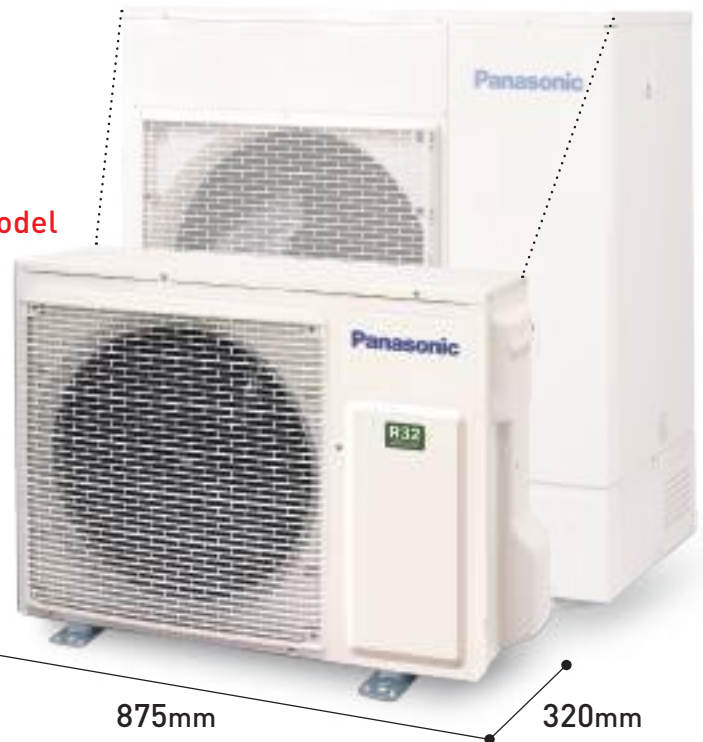
Can be installed in the limited space



301 mm Shorter

New Model

695mm



875mm

320mm

Height 996 mm

695 mm*

↓ 301 mm Shorter

Weight 86 kg

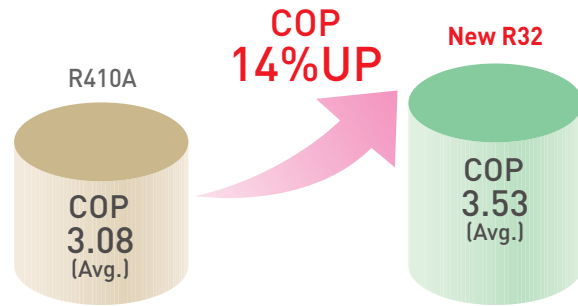
56 kg

↑ 30 kg Lighter

*Comparison between U-40PV1H8 and U-36PN1H8.

High Efficiency

R32 refrigerant yields higher energy efficiency than R410A. The Coefficient of Performance (COP) has been greatly improved to reduce power consumption.



Quality

In-house manufactured compressor

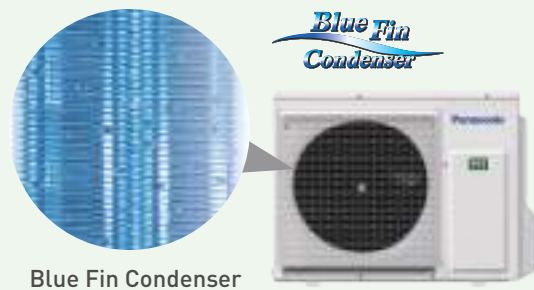
Panasonic all in-house manufactured compressors are supplied to the world. The cumulative total of high-quality compressors in use has reached 580 million units*.

*As of September 2019. (In-house research)



High durability outdoor unit

Corrosion-resistance treated for high resistance to rust and salty air to assure long-lasting performance.



Installation

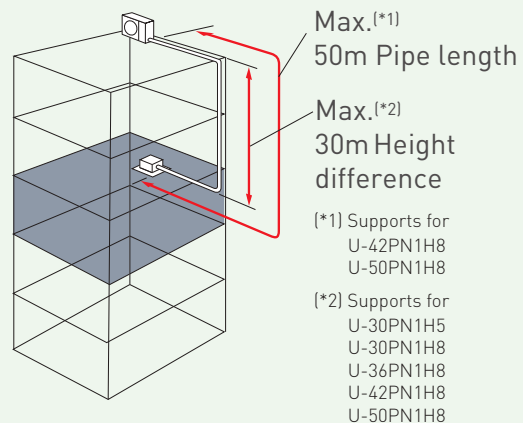
Long piping

The maximum chargeless piping length is 7.5m, but it can be extended up to 50m with additional gas charging for greater installation flexibility.

Piping length

	BTU	19-25k	30-36k	42-50k
Max. Pipe Length		30 m	45 m	50 m
Max. Chargeless Length #		7.5 m	7.5 m	7.5 m
Max. Height Difference		20 m	30 m	30 m

Additional gas is required when pipe length is extended.



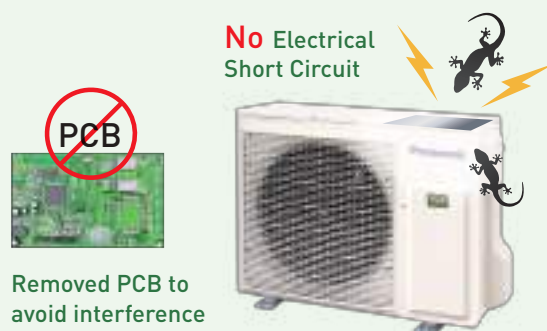
Maintenance

Service maintenance

The PCB inside the outdoor unit has been removed, allowing easy installation and service maintenance.

Supports for
U-19PN1H5
U-25PN1H5
U-30PN1H5

• Single phase only.



Remote Controller

Precise Control, Easy Comfort

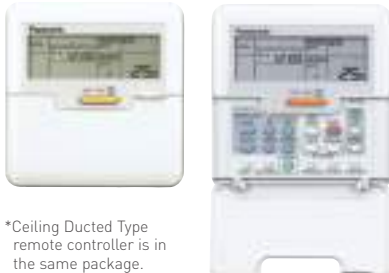
Panasonic Packaged Series Remote Controllers are designed with user comfort in mind. Multiple settings are available so airflow and air quality can be regulated according to preferences. Users can also opt for a wired remote controller equipped with high-performance timer.



Wired Remote Controller

CZ-RD513C

(For 4-Way Cassette Type and Ceiling Exposed Type)



*Ceiling Ducted Type remote controller is in the same package.

Wireless Remote Controller / Receiver

4-Way Cassette Type (Optional)

Ceiling Suspended Type (Optional)

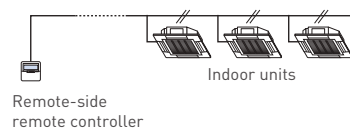


CZ-RL013U (Non-Inverter) CZ-RL013UH (Inverter)

CZ-RL013T

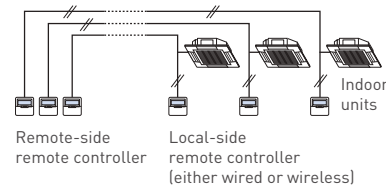
Settings can be regulated with 3 control options:

Group Control by a single remote controller



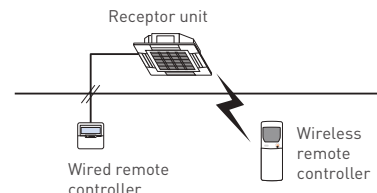
- All indoor units operate in the same mode.

Separate Control by Twin Remote Controllers



- Each indoor unit can be operated by either of the two remote controllers.
- Apart from the timer setting time, the displays for the two remote controllers are identical.
- The last button pressed has priority (The main or slave attribute is set with the remote controller).

Common Control by Both Wired and Wireless Remote Controllers



- The last button pressed has priority (using either wired or wireless remote controllers).

Weekly Timer (For All Models)

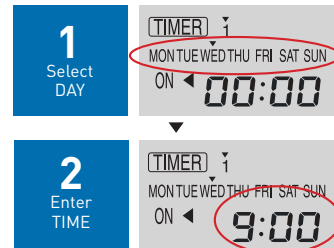
- 1.Timer can be set for each day of the week.
- 2.Can be pre-set with: •Max. 6 settings/day •42 settings/week.
- 3.The temperature can also be programmed for optimal comfort.

Pre-sets for different conditions

Businesses with regular off days	Businesses with varying visitor flows at different timings	Can be set to switch off automatically
Example: Saturday afternoon – CLOSED Sunday – CLOSED	Example: Lunchtime - More visitors, lower temperature	Example: Avoid power wastage even if users forget to turn it off (weekdays)
Mon-Fri On 9:00, Off 18:00 Sat On 9:00, Off 12:00 Sun Not set	Daily Settings On 12:00 23°C On 14:00 28°C	Mon-Fri Off 20:00

- ▶ Timer settings can be different every day of the week.
- ▶ Timing & temperature can be set simultaneously.
- ▶ Timer can be set for simple shut-off operation.

Setting the timer

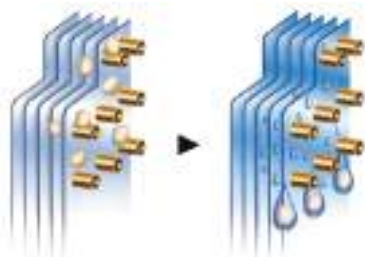


*Simple Timer Mode
Using the 24-Hour ON/OFF timer, ON/OFF operations can be set at the same time daily.

Odour Wash (For All Models)

Reduces unpleasant odours caused by the air conditioner's heat exchanger.

Odour Removing ONE PUSH

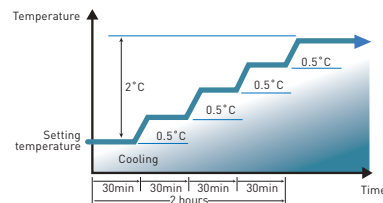


When air from the outlet smells musty, moisture in the heat exchanger washes away odours.

Can be operated with the wireless remote controller.

Economy Mode (For All Models)

Saves up to 20%* energy. The air conditioner determines the stable condition and moderately shifts the set temperature in 0.5-degree steps to regulate the energy-saving operation (max. 2 degrees).

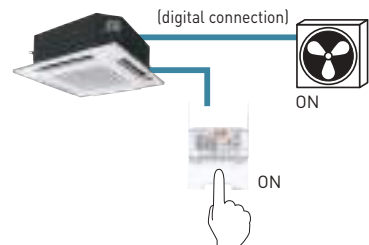


*During operating in the cooling mode at the remote control set temperature of 25 under the cooling standard temperature conditions.

Can be operated with the wireless remote controller.

Ventilation (For All Models)

When an external device such as a ventilator is connected to the indoor unit, the ventilator's ON/OFF operations can be controlled by the wired remote controller. You can select from either link-ventilation or independent-ventilation.



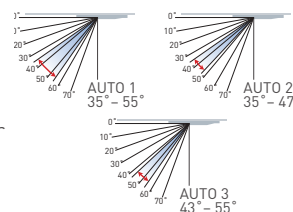
Ventilators are not included in the product line-up. OPTIONAL : Printed circuit board (Interface Adapter for External Signals CZ-TA31P*) is needed.

*Printed Circuit Board CZ-TA31P

- By connecting to the indoor unit, a separately sold ventilator can be controlled.
- Remote operation control of the indoor unit is enabled (ON/OFF control).
- The condition of the indoor unit (malfunctions, operating status) can be output externally.
- Control in linkage to a total heat exchanger or similar devices is possible.

Multi Comfort Air Control (For Cassette Models)

New control technology gives users a wide selection of more specific airflow angles. Choose from the 3-Pattern Auto Swings to avoid direct exposure to cool air (total 50-degree swing width).



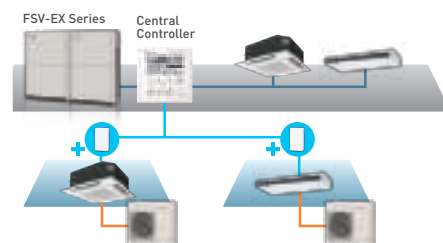
Central Control Adapter

Using Central Control Adapter along with the existing VRF units, a centralized control system is possible. Temperature management can be achieved by expanding low-to-mid sizes together.



CZ-CAPRA1+CZ-CCERA1
H120×W70×D32,5mm

Even buildings with additional air conditioning systems can be central controlled



NON-INVERTER MODEL LINE-UP

PANASONIC PACKAGED AIR CONDITIONERS ARE THE IDEAL AIR CONDITIONING SOLUTIONS FOR OFFICES, EDUCATIONAL INSTITUTIONS, RESTAURANTS AND RETAIL STORES.

Panasonic provides high performance air conditioning systems that extend from homes to businesses. These products comply with stringent environmental requirements and advanced building standards in the modern commercial environment.

4-WAY CASSETTE

NEW ///



The 4-way direction airflow released through four vanes provides wide and even cooling.

Capacity (Btu/h)	18,100-19,100	22,300-23,000	24,900-25,000
4-WAY CASSETTE Standard Equipped   P.14-15 NEW ///	 S-19PU1H5B		 S-25PU1H5B
OUTDOOR UNITS 4-WAY CASSETTE   NEW ///	 U-19PN1H5		 U-25PN1H5
MINI CASSETTE P.16-17 	 CS-PV18RB4P	 CS-PV24RB4P	
FLOOR STANDING P.18-19 	 CS-J18FFP5		 CS-J28FFP8
OUTDOOR UNITS MINI CASSETTE / FLOOR STANDING 	 CU-PV18RB4P (Mini Cassette)  CU-J18FFP5 (Floor Standing)	 CU-PV24RB4P (Mini Cassette)	 CU-J28FFP8* (Floor Standing)

MINI CASSETTE













Panasonic Mini Cassette types are compact in size and particularly suitable for small to medium-sized offices and restaurants.

FLOOR STANDING



The floor standing type requires little installation work, and is easy to clean.

30,000	36,000-36,500	42,300-45,000	48,500
 <p>S-30PU1H5B</p>	 <p>S-36PU1H5B</p>	 <p>S-42PU1H5B</p>	 <p>S-50PU1H5B</p>
 <p>U-30PN1H5 U-30PN1H8</p>	 <p>U-36PN1H8</p>	 <p>U-42PN1H8</p>	 <p>U-50PN1H8</p>
		 <p>CS-J45FFP8</p>	
		 <p>CU-J45FFP8* (Floor Standing)</p>	

*3-Phase

4-WAY CASSETTE

NEW //

nanoe™ X

Model No.

- S-19PU1H5B S-42PU1H5B
- S-25PU1H5B S-50PU1H5B
- S-30PU1H5B
- S-36PU1H5B



TECHNICAL FOCUS

- nanoe™ X equipped as standard
- Compact design
- Low sound levels
- DC fan motor for increased efficiency
- Powerful drain pump gives 850 mm lift
- Lightweight design



Accessories

Panel



CZ-KPU3H

Selectable Remote Controller



*A wireless remote controller is in the same package with the indoor unit.



CZ-RD513C (Optional)

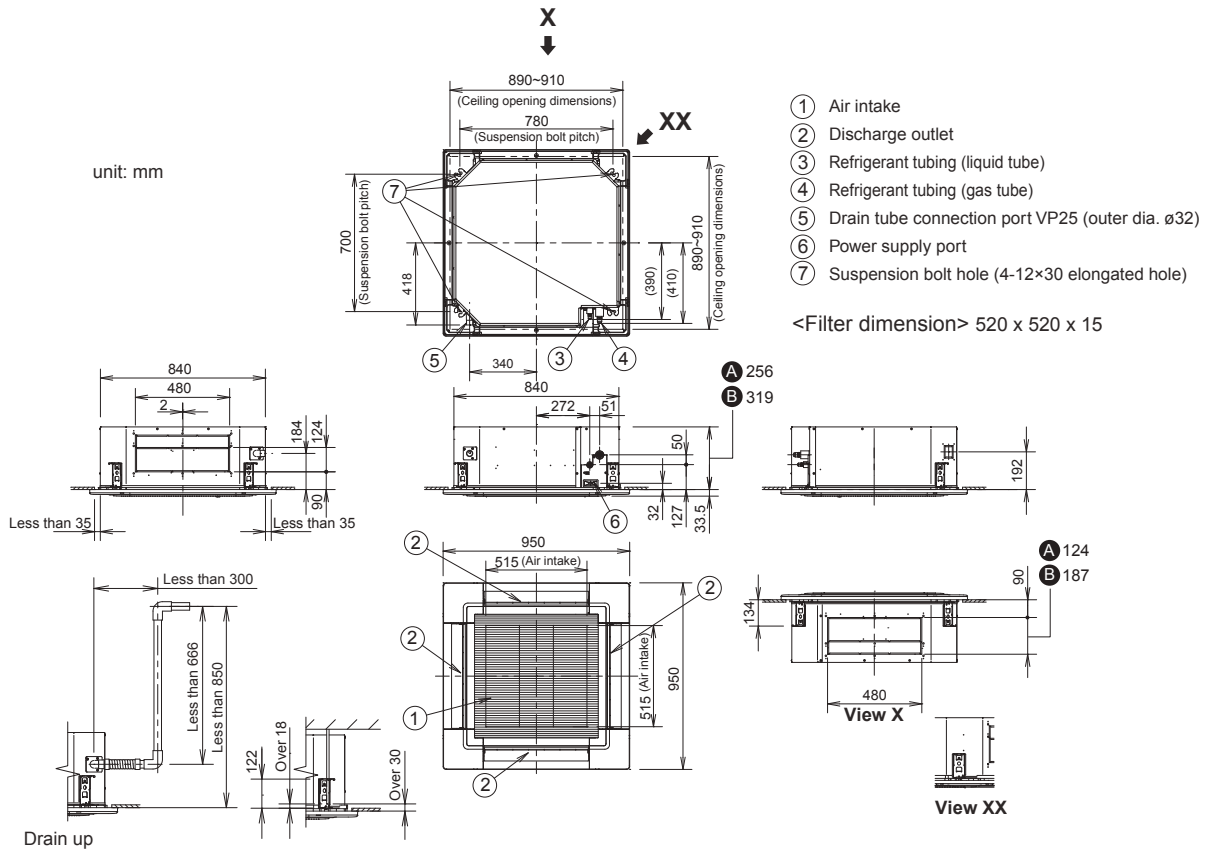
Capacity (Btu/h)		18,500	25,000	30,000
Power Source	V/Phase Hz	220-240 V, 1Ø Phase - 50 Hz		
Indoor		S-19PU1H5B	S-25PU1H5B	S-30PU1H5B
Outdoor		U-19PN1H5	U-25PN1H5	U-30PN1H5
Panel		CZ-KPU3H	CZ-KPU3H	CZ-KPU3H
Cooling Capacity: Rated	kW	5.42	7.33	8.79
	Btu/h	18,500	25,000	30,000
Current	A	7.1-6.5	9.6-8.8	13.5-13.2
Power Input: Rated	kW	1.52	2.07	2.85
COP/EER	W/W	3.57	3.54	3.08
	Btu/hW	12.17	12.08	10.53
Indoor Unit				
Air Volume	m ³ /min	25.0	25.0	25.0
	cfm	882	882	882
Sound Pressure Level (Hi/Lo)	dB (A)	42/35	42/35	42/35
Sound Power Level (Hi/Lo)	dB	57/50	57/50	57/50
Dimension	Indoor (H×W×D)	mm	256 × 840 × 840	256 × 840 × 840
	Panel (H×W×D)	mm	33.5 × 950 × 950	33.5 × 950 × 950
Net Weight	Indoor	kg	21	21
	Panel	kg	5	5
Outdoor Unit				
Sound Pressure Level	dB (A)	50	52	54
Sound Power Level	dB	66	68	69
Dimension	Outdoor (H×W×D)	mm	619 × 824 × 299	619 × 824 × 299
Net Weight		kg	36	42
Piping Connection	Gas Pipe	mm (inch)	12.70 (1/2)	12.70 (1/2)
	Liquid Pipe	mm (inch)	6.35 (1/4)	6.35 (1/4)
Pipe Length	Min-Max	m	7.5 - 30	7.5 - 45
Elevation Difference			20	30
Maximum Chargeless Length	Max	m	7.5	7.5
Refrigerant Type/Additional Gas		g/m	R32/15	R32/25
Operating Range, Outdoor	Min-Max	°C	16-43	16-43

*Specifications are subject to change without notice. Please refer to technical documents for more details.
 *The sound pressure level is measured in accordance with JIS C 9612 and JIS B 8616.

Dimensions

A (S-19PU1H5B / S-25PU1H5B / S-30PU1H5B)

B (S-36PU1H5B / S-42PU1H5B / S-50PU1H5B)



* Adjust the suspension bolt length so that the gap from the lower ceiling surface becomes 30 mm or more (18 mm or more from the lower surface of the body) as shown in the figure. When the suspension bolt length is long, it hits the ceiling panel and installation is not possible.

	30,000	36,000	42,000	48,500
	380-415 V, 3Ø Phase - 50 Hz			
	S-30PU1H5B	S-36PU1H5B	S-42PU1H5B	S-50PU1H5B
	U-30PN1H8	U-36PN1H8	U-42PN1H8	U-50PN1H8
	CZ-KPU3H	CZ-KPU3H	CZ-KPU3H	CZ-KPU3H
	8.79	10.55	12.31	14.21
	30,000	36,000	42,000	48,500
	4.5-4.3	4.9-4.6	5.4-5.3	7.4-7.6
	2.57	2.83	3.10	4.14
	3.42	3.73	3.97	3.43
	11.67	12.72	13.55	11.71
	25.0	36.4	36.4	36.4
	882	1,285	1,285	1,285
	42/35	47/41	47/41	47/41
	57/50	62/56	62/56	62/56
	256 × 840 × 840	319 × 840 × 840	319 × 840 × 840	319 × 840 × 840
	33.5 × 950 × 950	33.5 × 950 × 950	33.5 × 950 × 950	33.5 × 950 × 950
	21	24	24	24
	5	5	5	5
	54	55	58	58
	69	70	72	72
	695 × 875 × 320	695 × 875 × 320	996 × 980 × 370	996 × 980 × 370
	56	56	75	78
	15.88 (5/8)	15.88 (5/8)	15.88 (5/8)	15.88 (5/8)
	9.52 (3/8)	9.52 (3/8)	9.52 (3/8)	9.52 (3/8)
	7.5 - 45	7.5 - 45	7.5 - 50	7.5 - 50
	30	30	30	30
	7.5	7.5	7.5	7.5
	R32/25	R32/25	R32/25	R32/25
	16-43	16-43	16-43	16-43

MINI CASSETTE

Model No.
CS-PV18RB4P
CS-PV24RB4P



TECHNICAL FOCUS

- 4-Way Airflow System
- LCD Wireless Remote Controller
- Random Auto Restart
- Removable Washable Panel
- 24 Hours Real On Off Timer
- Dew Prevention Control
- Anti Freezing Control



Accessories

Panel



CZ-BT20H

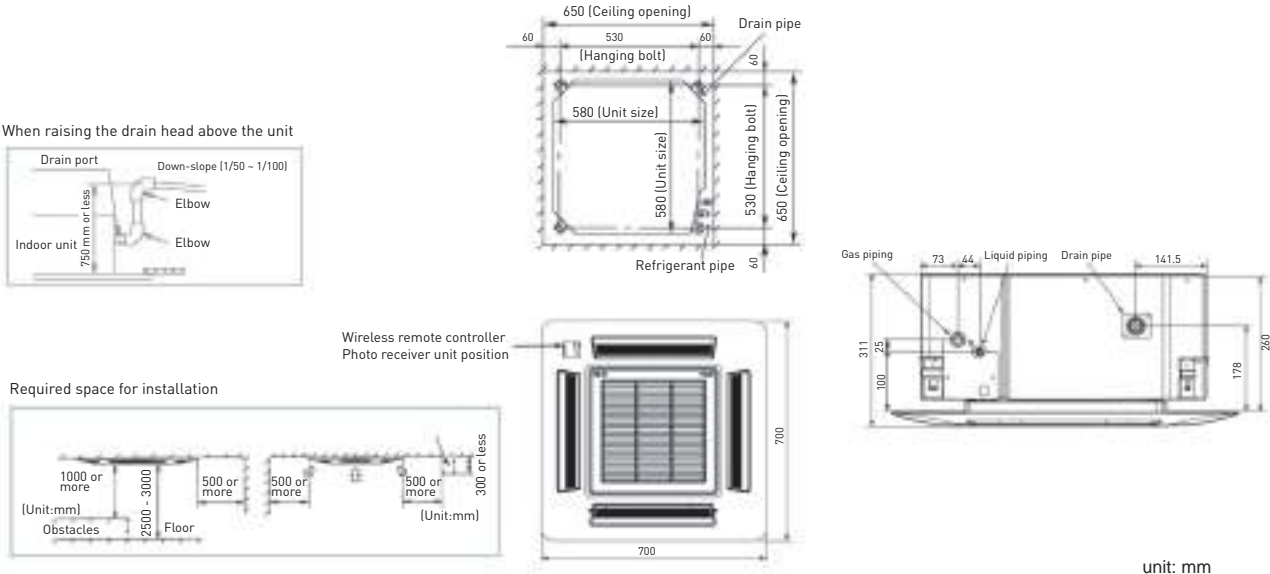
Remote Controller



A wireless remote controller is in the same package with the indoor unit.

Capacity (Btu/h)		18,100	22,300
Power Source	V/Phase Hz	220 V, 1Ø Phase - 50 Hz	
Indoor		CS-PV18RB4P	CS-PV24RB4P
Outdoor		CU-PV18RB4P	CU-PV24RB4P
Panel		CZ-BT20HW	CZ-BT20HW
Cooling Capacity: Rated	kW	5.30	6.55
	Btu/h	18,100	22,300
Current	A	7.9	11.3
Power Input: Rated	kW	1.69	2.40
EER	W/W	3.14	2.73
	Btu/hW	10.71	9.29
Indoor Unit			
Air Volume	m ³ /min	13.3	13.3
Sound Pressure Level (Hi/Lo)	dB (A)	43 / 33	44 / 35
Dimension	Indoor (HxWxD)	mm	260 × 575 × 575
	Panel (HxWxD)	mm	51 × 700 × 700
Net Weight	Indoor	kg	19.0
	Panel	kg	2.5
Outdoor Unit			
Sound Pressure Level	dB (A)	52	55
Dimension	Outdoor (HxWxD)	mm	695 × 875 × 320
Net Weight		kg	47.0
Piping Connection	Gas Pipe	mm (inch)	12.70 [1/2"]
	Liquid Pipe	mm (inch)	6.35 [1/4"]
Pipe Length	Min-Max	m	3.0 - 25.0
Elevation Difference		m	20.0
Maximum Chargeless Length	Max	m	7.5
Additional Gas		g/m	20
Operating Range, Outdoor	Min-Max	°C	16 - 43

Dimensions

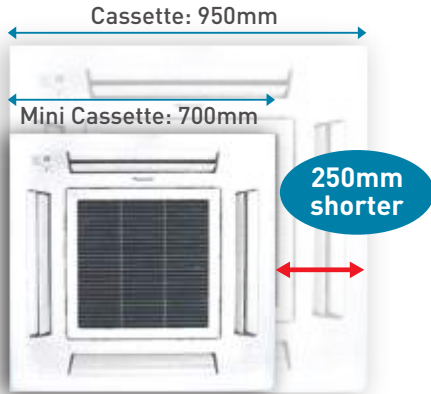


unit: mm

* The models on this page cannot be used with the remote controllers or accessories shown on page 12.

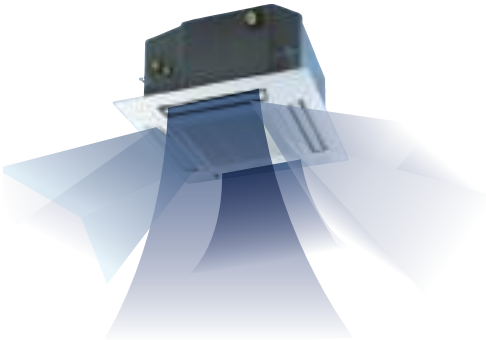
Space Savings

The compact design allows space saving.



Comfort

4-Way and auto swing louvers offer comfortable and uniform airflow to all corners of room.



FLOOR STANDING

Model No.
CS-J18FFP5
CS-J28FFP8
CS-J45FFP8



TECHNICAL FOCUS

- 12-Hour On/Off Real Setting Timer
- Random Auto Restart (*2/3HP)
- Auto Fan Mode
- Self-Diagnostic Function (*5HP)
- Auto Freezing Control (2/3HP)



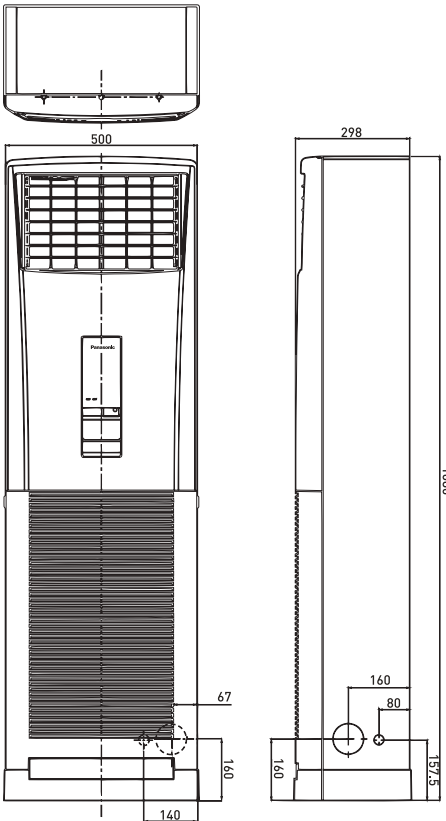
Remote Controller



A wireless remote controller is in the same package with the indoor unit.

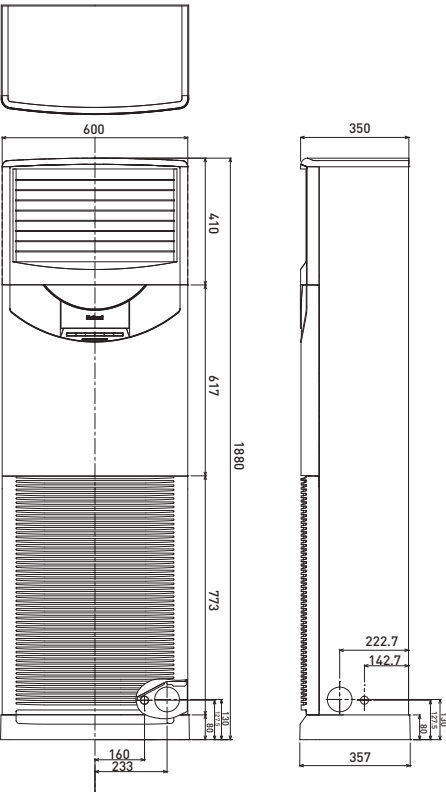
Capacity (Btu/h)		19,100	24,900	42,300
Power Source	V/Phase Hz	220 V, 1Ø Phase - 50 Hz	380 V, 3Ø phase - 50Hz	
Indoor		CS-J18FFP5	CS-J28FFP8	CS-J45FFP8
Outdoor		CU-J18FFP5	CU-J28FFP8	CU-J45FFP8
Cooling Capacity: Rated	kW	5.60	7.30	12.40
	Btu/h	19,100	24,900	42,300
Current	A	7.9	4.5	8.70
Power Input: Rated	kW	1.69	2.27	4.88
	W/W	3.31	3.21	2.54
EER	Btu/hW	11.30	10.96	8.66
Indoor Unit				
Air Volume	m ³ /min	15.9	16.7	27.0
Sound Pressure Level (Hi/Lo)	dB (A)	46 / 40	48 / 42	53 / 47
Dimension	Indoor (H×W×D)	mm	1,680 × 500 × 298	1,680 × 500 × 298
Net Weight		kg	30	31
Outdoor Unit				
Sound Pressure Level	dB (A)	53	54	57
Dimension	Outdoor (H×W×D)	mm	700 × 998 × 320	802 × 998 × 320
Net weight		kg	50.0	58.0
Piping Connection	Gas Pipe	mm (inch)	15.88 (5/8")	15.88 (5/8")
	Liquid Pipe	mm (inch)	6.35 (1/4")	9.52 (3/8")
Pipe Length	Min~Max	m	3.0 - 15.0	3.0 - 15.0
Elevation Difference			10.0	20.0
Maximum Chargeless Length	Max	m	7.0	7.0
Additional Gas		g/m	35	50
Operating Range, Outdoor	Min~Max	°C	21 - 43	21 - 43

Dimensions (CS-J18FFP5 / CS-J28FFP8)



Unit:mm

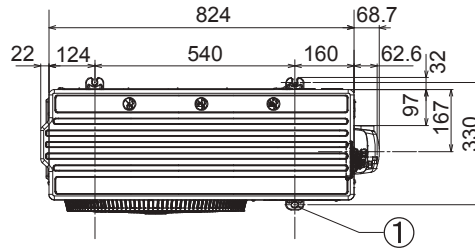
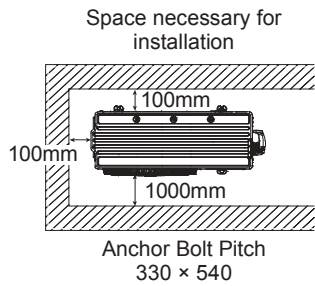
Dimensions (CS-J45FFP8)



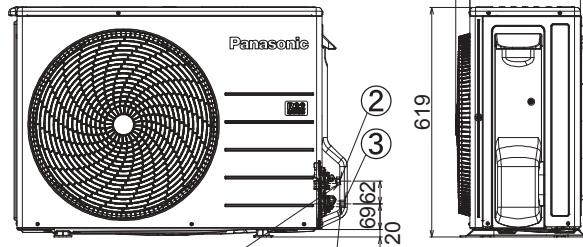
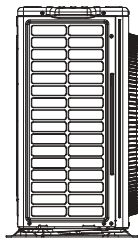
Unit:mm

OUTDOOR UNITS NEW

Dimensions (U-19PN1H5 / U-25PN1H5) 1-phase



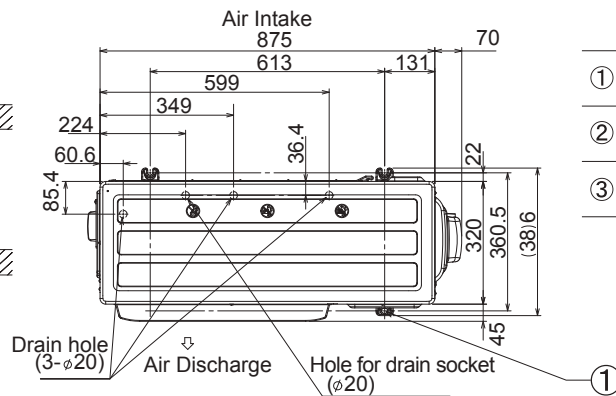
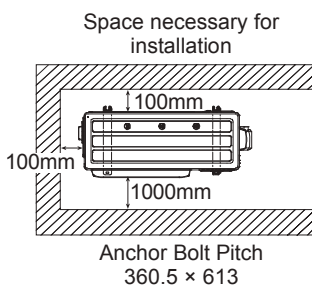
- | | |
|---|---|
| ① | Mounting hole (4-R6.5), anchor bolt : M10 |
| ② | Refrigerant tubing (liquid tube), flared connection (φ6.35) |
| ③ | Refrigerant tubing (gas tube), flared connection (φ12.70) |



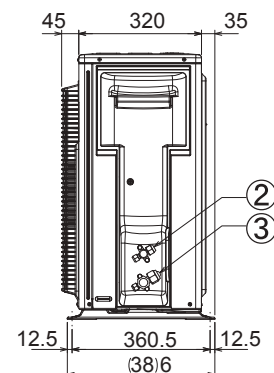
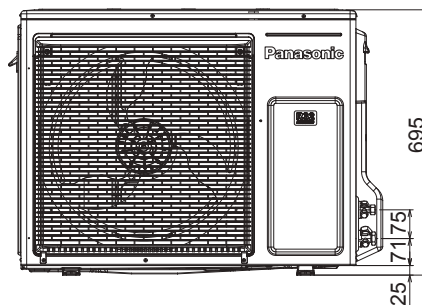
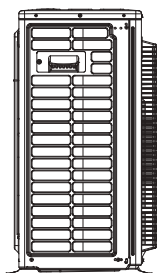
Unit:mm

2-way valve at Liquid side (High Pressure) 3-way valve at Gas side (Low Pressure)

Dimensions (U-30PN1H5) 1-phase (U-30PN1H8 / U-36PN1H8) 3-phase

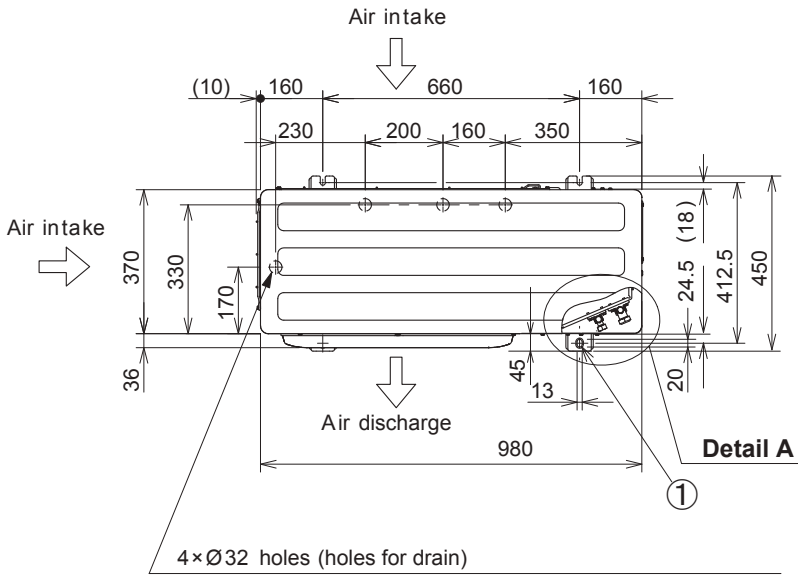


- | | |
|---|---|
| ① | Mounting hole (4-R6.5), anchor bolt : M10 |
| ② | Refrigerant tubing (liquid tube), flared connection (φ9.52) |
| ③ | Refrigerant tubing (gas tube), flared connection (φ15.88) |

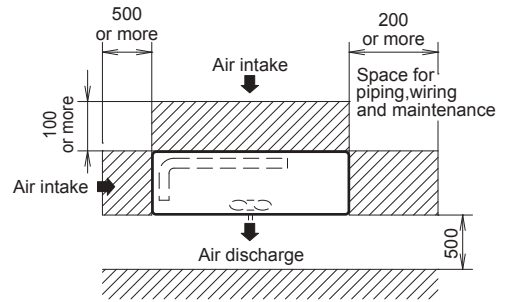


Unit:mm

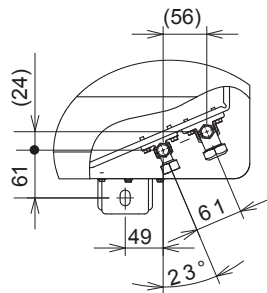
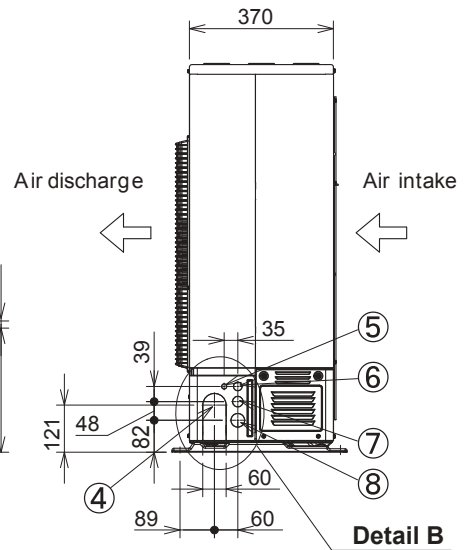
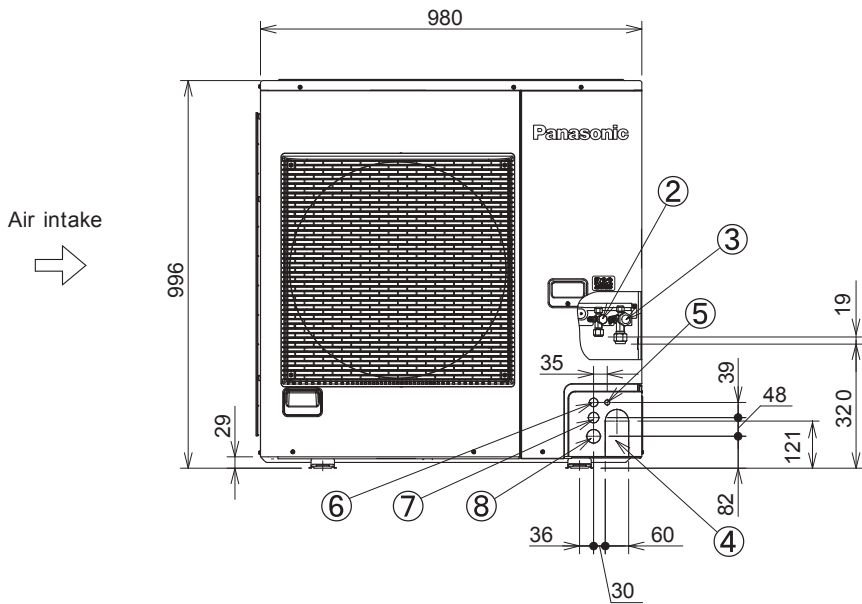
Dimensions (U-42PN1H8 / U-50PN1H8) 3-phase



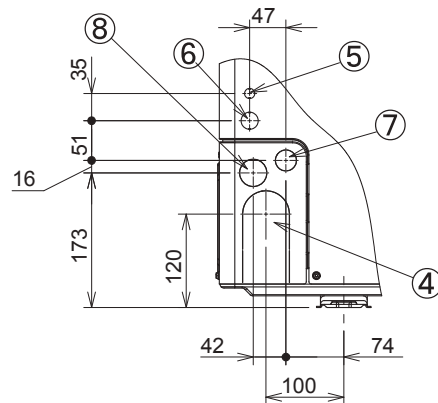
When using a drain pipe, install the drain socket (field supply) on to the drain port. Seal the other drain port with the rubber cap.



①	Mounting hole (4-R6.5), anchor bolt : M10
②	Refrigerant tubing (liquid tube), flared connection (Ø9.52)
③	Refrigerant tubing (gas tube), flared connection (Ø15.88)
④	Refrigerant tubing port
⑤	Electrical wiring port (Ø13)
⑥	Electrical wiring port (Ø22)
⑦	Electrical wiring port (Ø27)
⑧	Electrical wiring port (Ø35)



Detail A

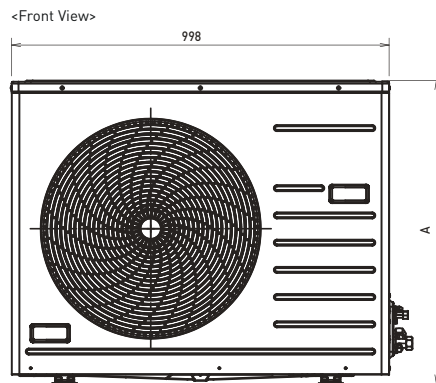
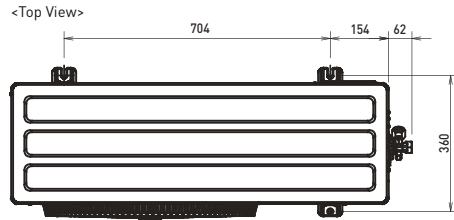


Detail B

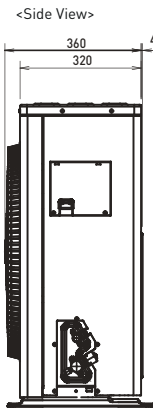
OUTDOOR UNITS

FLOOR STANDING

Dimensions (CU-J18FFP5) 1-phase (CU-J28FFP8) 3-phase

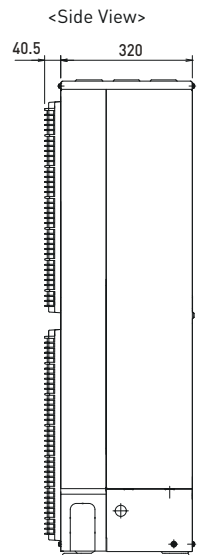
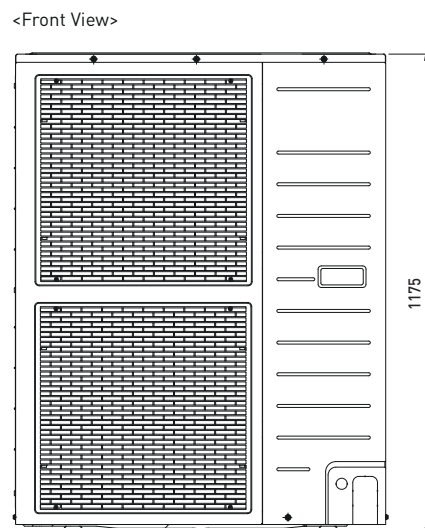
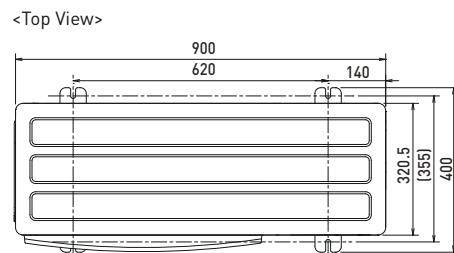


	Model number	mm
A	CU-J18FFP5	700
	CU-J28FFP8	802



Unit:mm

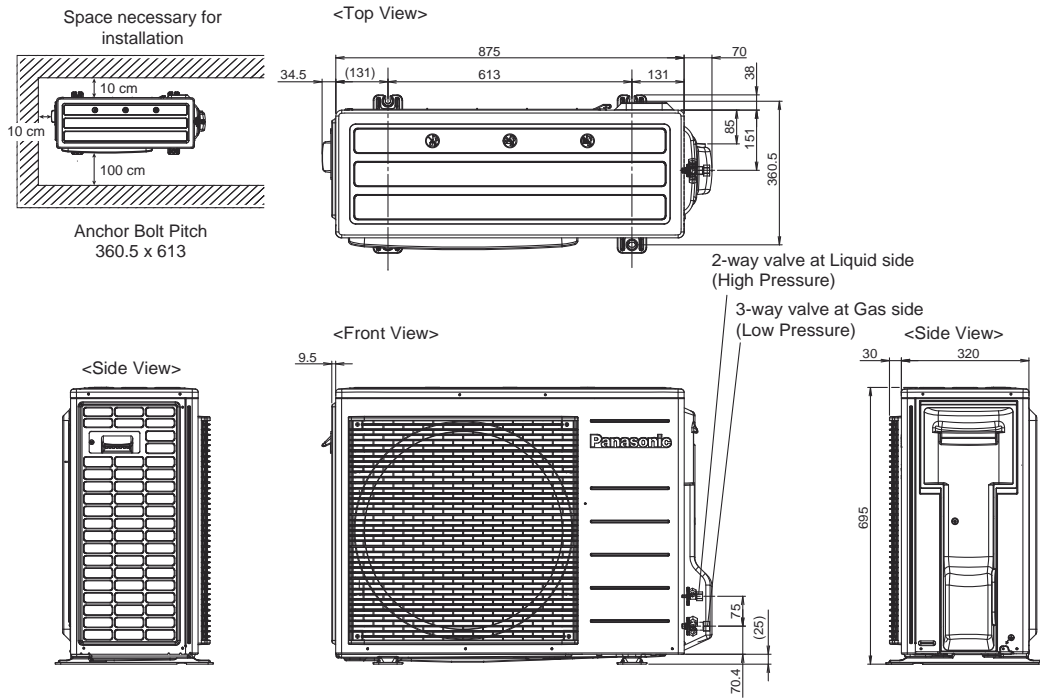
Dimensions (CU-J45FFP8) 3-phase



Unit:mm

MINI CASSETTE

Dimensions (CU-PV18RB4P / CU-PV24RB4P) 1-phase


















Unit:mm

INVERTER MODEL LINE-UP

A Wide Lineup to Fit Your Needs

The wide lineup suits a variety of applications, in offices, classrooms, restaurants, shops, and more. And all outdoor units are now 1-Fan types, making them smaller and lighter than previous models. Installation and construction are also easier.

Capacity (Btu/h)	11,600-11,900	16,000-17,100	19,400-20,500
4-WAY CASSETTE Standard Equipped  P.26-27		 S-18PU2H5	 S-21PU2H5
MINI CASSETTE P.28-29	 CS-S12MB4PW	 CS-S18MB4PW	 CS-S24MB4PW
CEILING SUSPENDED P.30-31		 S-18PT2H5	 S-21PT2H5
CEILING DUCTED P.32-33		 S-18PF2H5	 S-21PF2H5
OUTDOOR UNIT 4-WAY CASSETTE / CEILING SUSPENDED / CEILING DUCTED P.34		 U-18PS2P5	 U-21PS2P5
OUTDOOR UNIT MINI CASSETTE P.35	 CU-S12MBP	 CU-S18MBP	 CU-S24MBP

4-WAY CASSETTE



The 4-way direction airflow released through four vanes provides wide and even cooling.

MINI CASSETTE



Mini Cassette types equipped with the 4-way airflow system are compact in size and particularly suitable for small to medium-sized offices and restaurants.

CEILING SUSPENDED



Providing outstanding energy-saving performance, comfort and long-distance air flow distribution, these units are perfect for retail stores and schools.

CEILING DUCTED



Offering remarkable overall cooling coverage of the entire building, Ceiling Ducted types are suitable for premises with concealed or false ceilings such as business centres.

24,200

29,000

34,100

39,200-42,700

47,800



S-24PU2H5



S-30PU2H5



S-34PU2H5



S-43PU2H5



S-48PU2H5



S-24PT2H5



S-30PT2H5



S-35PT1H5



S-45PT1H5



S-55PT1H5



S-24PF2H5



S-30PF2H5



S-35PF1H5



S-45PF1H5



S-55PF1H5



U-24PS2P5



U-30PS2P5



U-34PS2P5



U-43PS2P5



U-48PS2P5

4-WAY CASSETTE

Model No.

S-18PU2H5

S-21PU2H5

S-24PU2H5

S-30PU2H5

S-34PU2H5

S-43PU2H5

S-48PU2H5



TECHNICAL FOCUS

- nanoe™ X for Air Purification
- Powerful Airflow
- Wide Flap
- Simplistic Design
- LCD Wireless Remote Controller
- Easy Installation Design



Accessories

Panel



CZ-KPU3H

Selectable Remote Controller



CZ-RD513C

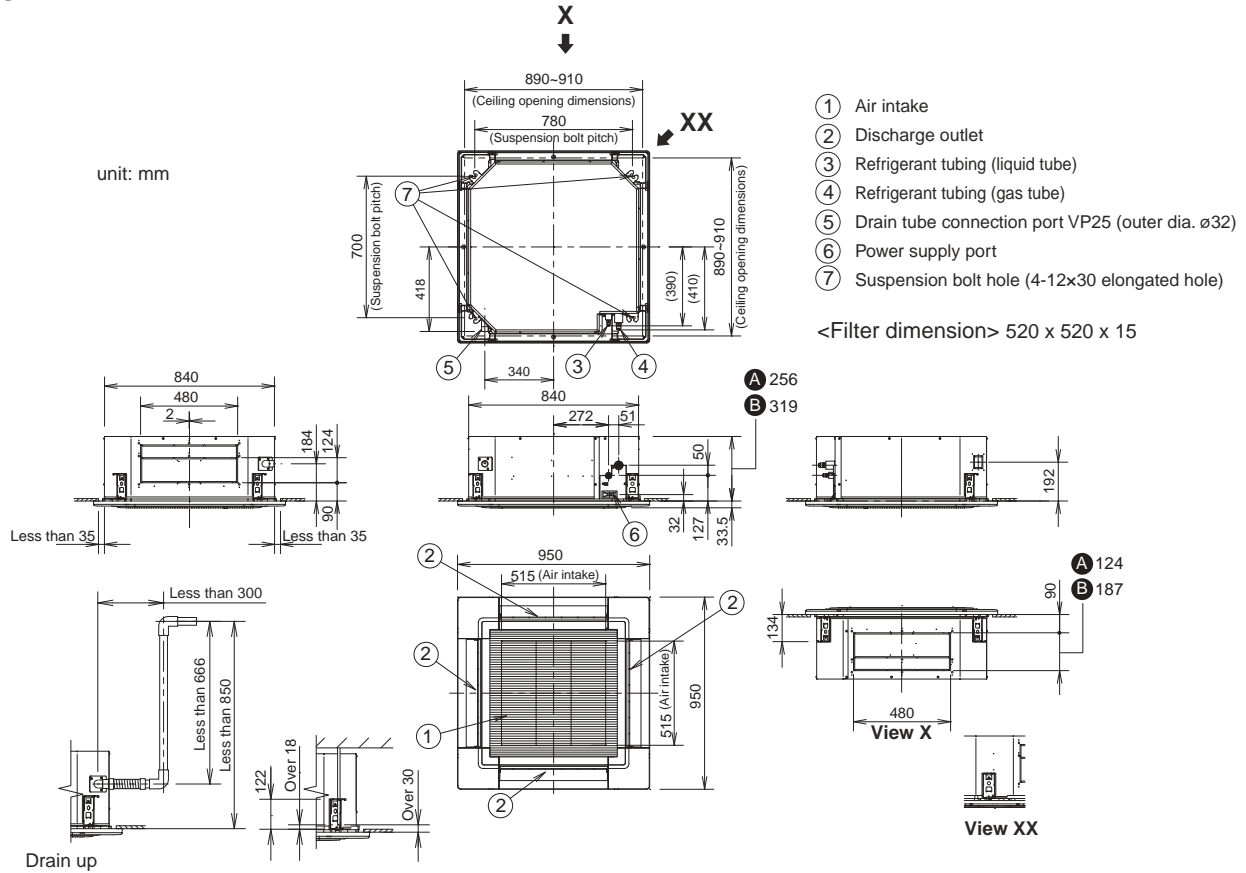


CZ-RL013UH

Capacity (Btu/h)		17,100	20,500
Power Source	V/Phase Hz		
Indoor		S-18PU2H5	S-21PU2H5
Outdoor		U-18PS2P5	U-21PS2P5
Panel		CZ-KPU3H	CZ-KPU3H
Cooling Capacity: Rated (Min-Max)	kW	5.00 (2.00-5.60)	6.00 (2.00-6.30)
	Btu/h	17,100 (6,820-19,100)	20,500 (6,820-21,500)
Current: Rated (Max)	A	5.6 (9.5)	7.3 (11.0)
Power Input: Rated (Min-Max)	kW	1.19 (0.55-1.70)	1.56 (0.55-1.90)
COP / EER	W/W	4.20	3.85
	Btu/hW	14.37	13.14
Indoor Unit			
Air Volume	m ³ /min	22.0	23.0
Sound Pressure Level (Hi/Lo)	dB (A)	39 / 32	39 / 32
Sound Power Level (Hi/Lo)	dB	54 / 47	54 / 47
Dimension	Indoor (H×W×D)	mm	256 × 840 × 840
	Panel (H×W×D)	mm	33.5 × 950 × 950
Net Weight	Indoor	kg	21
	Panel	kg	5
Outdoor Unit			
Sound Pressure Level	dB (A)	48	48
Sound Power Level	dB	64	64
Dimension	Outdoor (H×W×D)	mm	695 × 875 × 320
Net Weight		kg	41
Piping Connection	Gas Pipe	mm (inch)	15.88 (5/8)
	Liquid Pipe	mm (inch)	9.52 (3/8)
Pipe Length	Min-Max	m	7.5-50
Elevation Difference		m	25
Maximum Chargeless Length	Max	m	30
Additional Gas		g/m	50
Operating Range, Outdoor	Min-Max	°C	16-43

Dimensions

- A (S-18PU2H5 / S-21PU2H5 / S-24PU2H5 / S-30PU2H5)
- B (S-34PU2H5 / S-43PU2H5 / S-48PU2H5)



* Adjust the suspension bolt length so that the gap from the lower ceiling surface becomes 30 mm or more (18 mm or more from the lower surface of the body) as shown in the figure. When the suspension bolt length is long, it hits the ceiling panel and installation is not possible.

24,200	29,000	34,100	42,700	47,800
220 V, 1Ø Phase - 50 Hz				
S-24PU2H5	S-30PU2H5	S-34PU2H5	S-43PU2H5	S-48PU2H5
U-24PS2P5	U-30PS2P5	U-34PS2P5	U-43PS2P5	U-48PS2P5
CZ-KPU3H	CZ-KPU3H	CZ-KPU3H	CZ-KPU3H	CZ-KPU3H
7.10 [2.10-8.00]	8.50 [2.10-10.00]	10.00 [3.80-11.20]	12.50 [3.80-13.40]	14.00 [3.80-15.40]
24,200 [7,160-27,300]	29,000 [7,160-34,100]	34,100 [13,000-38,200]	42,700 [13,000-45,700]	47,800 [13,000-52,600]
8.8 [13.0]	11.9 [14.5]	13.1 [24.0]	20.4 [26.0]	25.5 [28.0]
1.88 [0.65-2.60]	2.54 [0.65-3.30]	2.76 [1.25-4.00]	4.31 [1.25-4.70]	5.39 [1.25-5.90]
3.78	3.35	3.62	2.90	2.60
12.87	11.42	12.36	9.91	8.87
25.0	25.0	32.0	36.4	36.4
41 / 33	41 / 33	44 / 37	47 / 39	47 / 41
56 / 48	56 / 48	59 / 52	62 / 54	62 / 56
256 × 840 × 840	256 × 840 × 840	319 × 840 × 840	319 × 840 × 840	319 × 840 × 840
33.5 × 950 × 950	33.5 × 950 × 950	33.5 × 950 × 950	33.5 × 950 × 950	33.5 × 950 × 950
22	22	24	24	24
5	5	5	5	5
48	49	53	54	56
64	64	67	68	70
695 × 875 × 320	695 × 875 × 320	996 × 980 × 370	996 × 980 × 370	996 × 980 × 370
43	43	72	74	81
15.88 [5/8]	15.88 [5/8]	15.88 [5/8]	15.88 [5/8]	15.88 [5/8]
9.52 [3/8]	9.52 [3/8]	9.52 [3/8]	9.52 [3/8]	9.52 [3/8]
7.5-50	7.5-50	7.5-50	7.5-50	7.5-50
30	30	30	30	30
30	30	30	30	30
50	50	50	50	50
16-43	16-43	16-43	16-43	16-43

MINI CASSETTE

Model No.
CS-S12MB4PW
CS-S18MB4PW
CS-S24MB4PW



TECHNICAL FOCUS

- 4-Way Airflow System
- LCD Wireless Remote Controller
- Random Auto Restart
- Removable Washable Panel
- 24 Hours Real On Off Timer
- Dew Prevention Control
- Anti Freezing Control



Accessories

Panel



CZ-BT20E

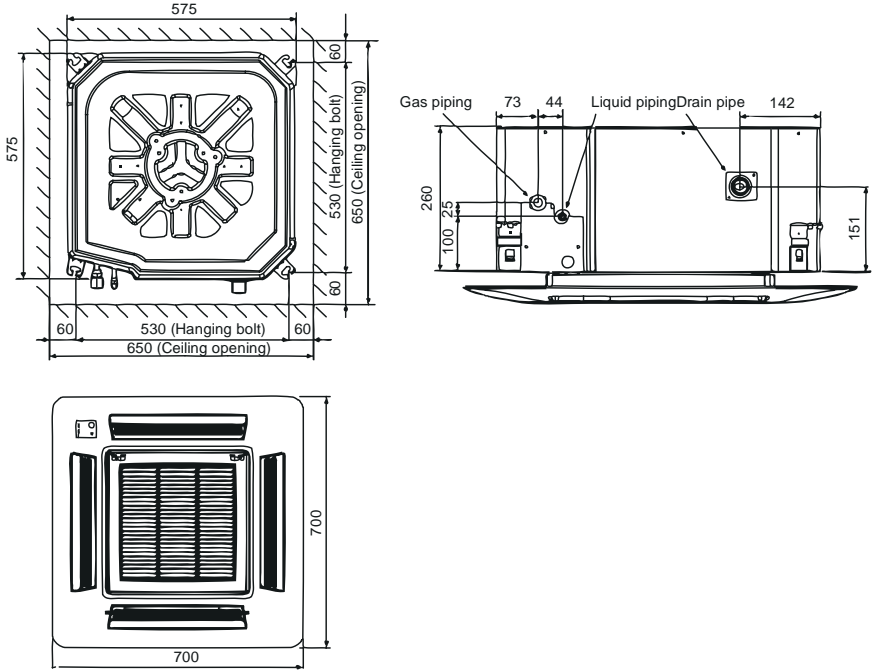
Selectable Remote Controller



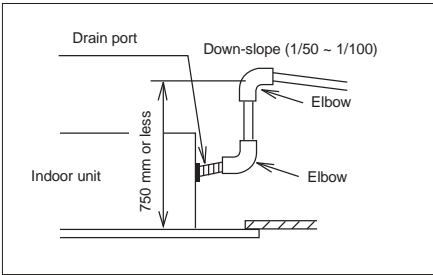
A wireless remote controller is in the same package with the indoor unit.

Capacity (Btu/h)		11,600
Power Source	V/Phase Hz	
Indoor		CS-S12MB4PW
Outdoor		CU-S12MBP
Panel		CZ-BT20EW
Cooling Capacity: Rated (Min-Max)	kW	3.40 (0.93-4.40)
	Btu/h	11,600 (3,170-15,000)
Current: Rated	A	4.8
Power Input: Rated (Min-Max)	kW	0.98 (0.26-1.33)
COP / EER	W/W	3.47
	Btu/hW	11.84
Indoor Unit		
Air Volume	m ³ /min	10.5
Sound Pressure Level* (Hi/Lo/Q-Lo)	dB (A)	34 / 26 / 23
Dimension	Indoor (H×W×D)	mm 260 × 575 × 575
	Panel (H×W×D)	mm 51 × 700 × 700
Net Weight	Indoor	kg 18.0
	Panel	kg 2.5
Outdoor Unit		
Sound Pressure Level (Hi)	dB (A)	47
Dimension	Outdoor (H×W×D)	mm 540 × 780 × 289
Net Weight	kg	31.0
Piping Connection	Gas Pipe	mm (inch) 12.70 (1/2)
	Liquid Pipe	mm (inch) 6.35 (1/4)
Pipe Length	Min-Max	m 3.0-15.0
Elevation Difference	m	15.0
Maximum Chargeless Length	Max	m 7.5
Additional Gas	g/m	15
Operating Range, Outdoor	Min-Max	°C 16-43

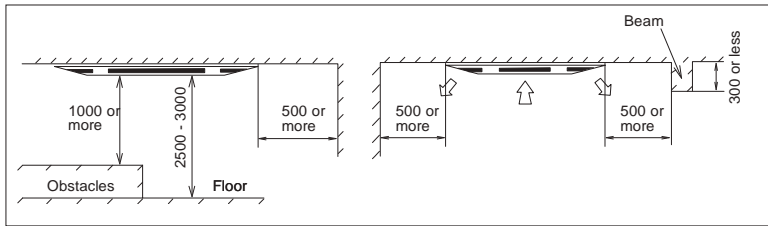
Dimensions



When raising the drain head above the unit



Required space for installation



unit: mm

16,000	19,400
220 V, 10 Phase - 50 Hz	
CS-S18MB4PW	CS-S24MB4PW
CU-S18MBP	CU-S24MBP
CZ-BT20EW	CZ-BT20EW
4.70 [0.98-5.60]	5.70 [0.98-6.60]
16,000 [3,340-19,100]	19,400 [3,340-22,500]
6.3	8.5
1.34 [0.27-1.65]	1.82 [0.30-2.15]
3.51	3.13
11.94	10.66
11.3	12.8
38 / 28 / 25	41 / 33 / 30
260 × 575 × 575	260 × 575 × 575
51 × 700 × 700	51 × 700 × 700
18.0	18.0
2.5	2.5
49	49
695 × 875 × 320	695 × 875 × 320
44.0	44.0
12.70 [1/2]	15.88 [5/8]
6.35 [1/4]	6.35 [1/4]
3.0-20.0	3.0-20.0
15.0	15.0
10.0	10.0
15	20
16-43	16-43

CEILING SUSPENDED

Model No.

S-18PT2H5	S-35PT1H5
S-21PT2H5	S-45PT1H5
S-24PT2H5	S-55PT1H5
S-30PT2H5	



TECHNICAL FOCUS

- Random Auto Restart
- Auto Fan Mode
- Weekly Timer (Wired Remote Controller only)
- 24-Hour On/Off Real Setting Timer
- Odor Wash
- Economy Mode
- Dry Mode Function
- Self-Diagnostic Function
- Selectable Thermo Sensor (Wired Remote Controller Only)



Accessories

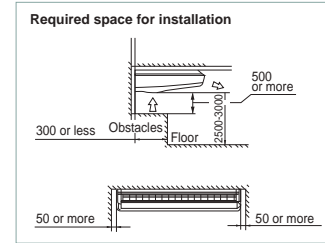
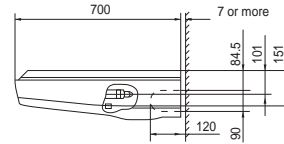
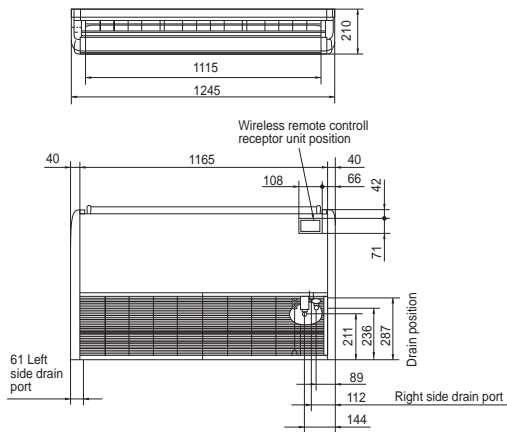
Selectable Remote Controller



CZ-RD513C CZ-RL013T

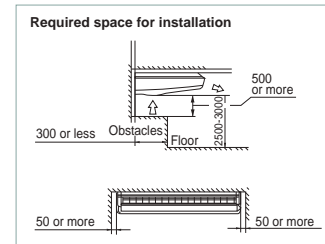
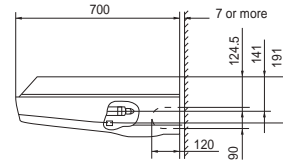
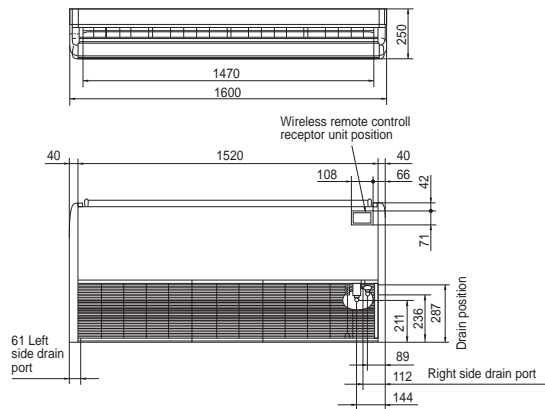
Capacity (Btu/h)				17,100	20,500
Power Source		V/Phase Hz			
Indoor			S-18PT2H5	S-21PT2H5	
Outdoor			U-18PS2P5	U-21PS2P5	
Cooling Capacity: Rated (Min-Max)		kW	5.00 (2.00-5.60)	6.00 (2.00-6.30)	
		Btu/h	17,100 (6,820-19,100)	20,500 (6,820-21,500)	
Current: Rated (Max)		A	6.6 (9.5)	8.7 (11.0)	
Power Input: Rated (Min-Max)		kW	1.40 (0.60-1.90)	1.85 (0.60-2.10)	
		W/W	3.57	3.24	
COP / EER			12.21	11.08	
		Btu/hW			
Indoor Unit					
Air Volume		m ³ /min	17.0	17.0	
Sound Pressure Level (Hi/Lo)		dB (A)	43 / 39	43 / 39	
Sound Power Level (Hi/Lo)		dB	58 / 54	58 / 54	
Dimension	Indoor (H×W×D)	mm	210 × 1,245 × 700	210 × 1,245 × 700	
Net Weight		kg	33	33	
Outdoor Unit					
Sound Pressure Level		dB (A)	48	48	
Sound Power Level		dB	64	64	
Dimension	Outdoor (H×W×D)	mm	695 × 875 × 320	695 × 875 × 320	
Net Weight		kg	41	41	
Piping Connection	Gas Pipe	mm (inch)	15.88 (5/8)	15.88 (5/8)	
	Liquid Pipe	mm (inch)	9.52 (3/8)	9.52 (3/8)	
Pipe Length	Min-Max	m	7.5-50	7.5-50	
Elevation Difference		m	25	25	
Maximum Chargeless Length	Max	m	30	30	
Additional Gas		g/m	50	50	
Operating Range, Outdoor	Min-Max	°C	16-43	16-43	

Dimensions (S-18PT2H5 / S-21PT2H5 / S-24PT2H5)



unit:mm

Dimensions (S-30PT2H5 / S-35PT1H5 / S-45PT1H5 / S-55PT1H5)



unit:mm

24,200	29,000	34,100	41,000	47,800
220 V, 1Ø Phase - 50 Hz				
S-24PT2H5	S-30PT2H5	S-35PT1H5	S-45PT1H5	S-55PT1H5
U-24PS2P5	U-30PS2P5	U-34PS2P5	U-43PS2P5	U-48PS2P5
7.10 [2.00-8.00]	8.50 [2.00-10.00]	10.00 [3.80-11.20]	12.00 [3.80-12.70]	14.00 [3.80-15.40]
24,200 [6,820-27,300]	29,000 [6,820-34,100]	34,100 [13,000-38,200]	41,000 [13,000-43,300]	47,800 [13,000-52,600]
11.1 [13.0]	13.0 [14.5]	15.3 [24.0]	21.0 [26.0]	26.3 [28.0]
2.37 [0.70-2.80]	2.77 [0.70-3.50]	3.23 [1.30-4.00]	4.44 [1.30-4.80]	5.56 [1.30-5.80]
3.00	3.07	3.10	2.70	2.52
10.21	10.47	10.56	9.23	8.60
18.0	29.0	29.0	31.0	32.0
45 / 41	47 / 43	47 / 43	49 / 45	50 / 46
60 / 56	62 / 58	62 / 58	64 / 60	65 / 61
210 × 1,245 × 700	250 × 1,600 × 700	250 × 1,600 × 700	250 × 1,600 × 700	250 × 1,600 × 700
33	43	43	48	48
48	49	53	54	56
64	64	67	68	70
695 × 875 × 320	695 × 875 × 320	996 × 980 × 370	996 × 980 × 370	996 × 980 × 370
43	43	72	74	81
15.88 [5/8]	15.88 [5/8]	15.88 [5/8]	15.88 [5/8]	15.88 [5/8]
9.52 [3/8]	9.52 [3/8]	9.52 [3/8]	9.52 [3/8]	9.52 [3/8]
7.5-50	7.5-50	7.5-50	7.5-50	7.5-50
30	30	30	30	30
30	30	30	30	30
50	50	50	50	50
16-43	16-43	16-43	16-43	16-43

CEILING DUCTED

Model No.

S-18PF2H5 S-35PF1H5
 S-21PF2H5 S-45PF1H5
 S-24PF2H5 S-55PF1H5
 S-30PF2H5



TECHNICAL FOCUS

- Auto Fan Mode
- Random Auto Restart
- Dry Mode Function
- Weekly Timer
- 24-Hour On/Off Real Setting Timer
- Odor Wash
- Economy Mode
- Self-Diagnostic Function
- Selectable Thermo Sensor



Accessories

Remote Controller



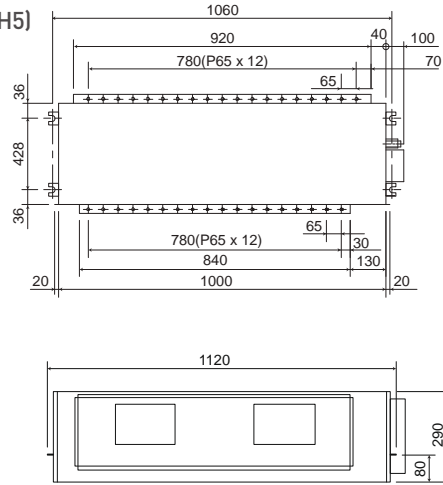
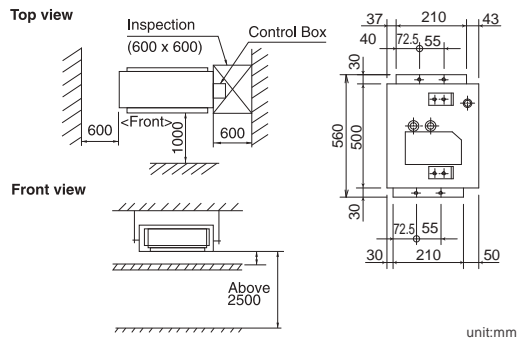
A remote controller is in the same package with the indoor unit.

CZ-RD513C

Capacity (Btu/h)		17,100	20,500
Power Source	V/Phase Hz		
Indoor		S-18PF2H5	S-21PF2H5
Outdoor		U-18PS2P5	U-21PS2P5
Cooling Capacity: Rated (Min-Max)	kW	5.00 (2.00-5.60)	6.00 (2.00-6.30)
	Btu/h	17,100 (6,820-19,100)	20,500 (6,820-21,500)
Current: Rated (Max)	A	6.9 (9.5)	7.9 (11.0)
Power Input: Rated (Min-Max)	kW	1.48 (0.60-1.90)	1.69 (0.60-2.10)
	W/W	3.38	3.55
COP / EER	Btu/hW	11.55	12.13
External Static Pressure	Pa (mm Aq)	69 (7)	69 (7)
Indoor Unit			
Air Volume	m ³ /min	22.0	22.0
Sound Pressure Level (Hi/L0)	dB (A)	45 / 39	45 / 39
Sound Power Level (Hi/L0)	dB	60 / 54	60 / 54
Dimension	Indoor (H×W×D)	mm	290 × 1,100 × 500
Net Weight		kg	31
Outdoor Unit			
Sound Pressure Level	dB (A)	48	48
Sound Power Level	dB	64	64
Dimension	Outdoor (H×W×D)	mm	695 × 875 × 320
Net weight		kg	41
Piping Connection	Gas Pipe	mm (inch)	15.88(5/8)
	Liquid Pipe	mm (inch)	9.52(3/8)
Pipe Length	Min-Max	m	7.5 - 50
Elevation Difference		m	25
Maximum Chargeless Length	Max	m	30
Additional Gas		g/m	50
Operating Range, Outdoor	Min-Max	°C	16 - 43

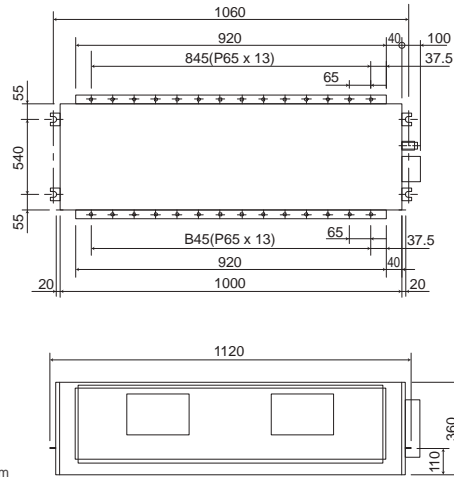
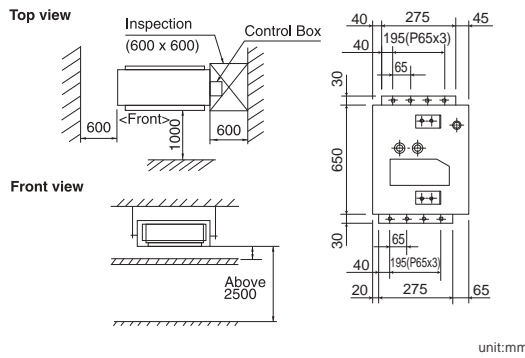
Dimensions (S-18PF2H5 / S-21PF2H5 / S-24PF2H5 / S-30PF2H5)

Required space for installation



Dimensions (S-35PF1H5 / S-45PF1H5 / S-55PF1H5)

Required space for installation

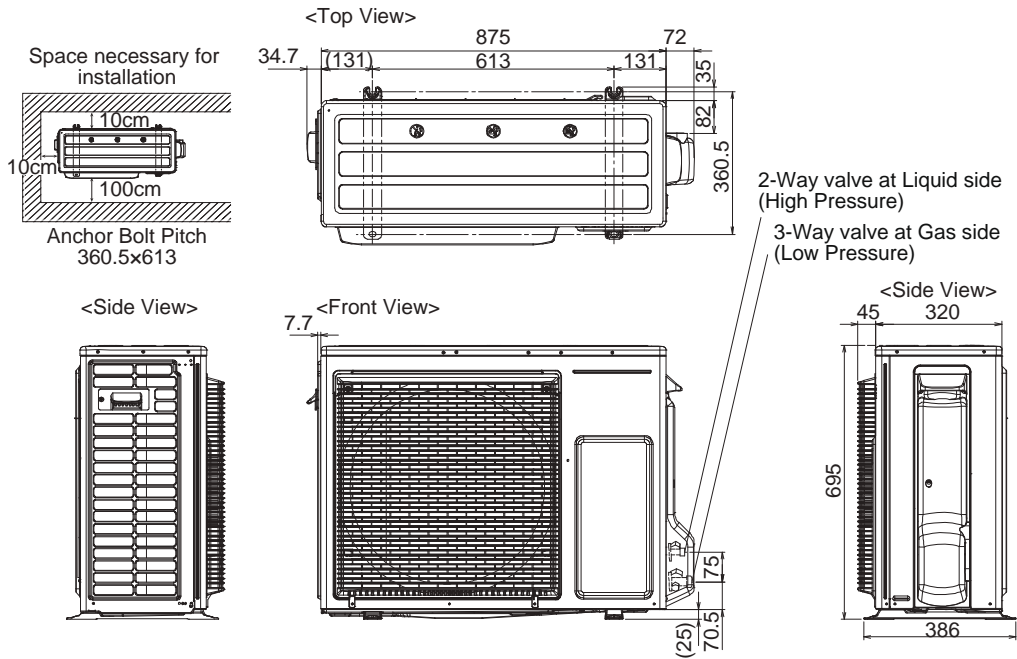


24,200	29,000	34,100	39,200	47,800
220 V, 10 Phase - 50 Hz				
S-24PF2H5	S-30PF2H5	S-35PF1H5	S-45PF1H5	S-55PF1H5
U-24PS2P5	U-30PS2P5	U-34PS2P5	U-43PS2P5	U-48PS2P5
7.10 (2.00-8.00)	8.50 (2.00-9.20)	10.00 (3.80-11.20)	11.50 (3.80-12.00)	14.00 (3.80-15.40)
24,200 (6,820-27,300)	29,000 (6,820-31,400)	34,100 (13,000-38,200)	39,200 (13,000-41,000)	47,800 (13,000-52,600)
10.4 (13.0)	13.1 (14.5)	14.5 (24.0)	22.1 (26.0)	27.7 (28.0)
2.22 (0.70-2.80)	2.80 (0.80-3.50)	3.06 (1.30-4.00)	4.67 (1.30-5.10)	5.84 (1.30-5.80)
3.20	3.04	3.27	2.46	2.40
10.90	10.36	11.14	8.39	8.18
69 (7)	69 (7)	98 (10)	98 (10)	98 (10)
22.0	22.0	45.0	45.0	45.0
45 / 39	45 / 39	49 / 45	49 / 45	49 / 45
60 / 54	60 / 54	64 / 60	64 / 60	64 / 60
290 × 1,100 × 500	290 × 1,100 × 500	360 × 1,100 × 650	360 × 1,100 × 650	360 × 1,100 × 650
31	31	43	43	43
48	49	53	54	56
64	64	67	68	70
695 × 875 × 320	695 × 875 × 320	996 × 980 × 370	996 × 980 × 370	996 × 980 × 370
43	43	72	74	81
15.88 (5/8)	15.88 (5/8)	15.88 (5/8)	15.88 (5/8)	15.88 (5/8)
9.52 (3/8)	9.52 (3/8)	9.52 (3/8)	9.52 (3/8)	9.52 (3/8)
7.5-50	7.5-50	7.5-50	7.5-50	7.5-50
30	30	30	30	30
30	30	30	30	30
50	50	50	50	50
16-43	16-43	16-43	16-43	16-43

OUTDOOR UNITS

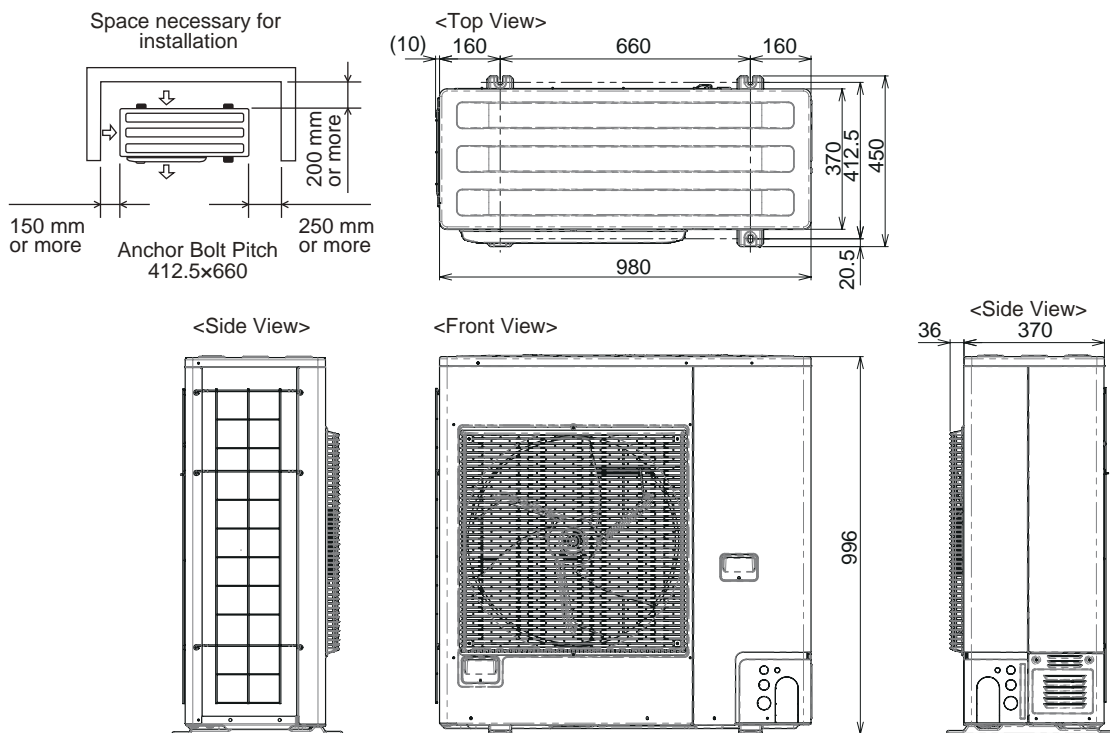
4-WAY CASSETTE / CEILING SUSPENDED / CEILING DUCTED

Dimensions (U-18PS2P5 / U-21PS2P5 / U-24PS2P5 / U-30PS2P5) 1-phase



Unit:mm

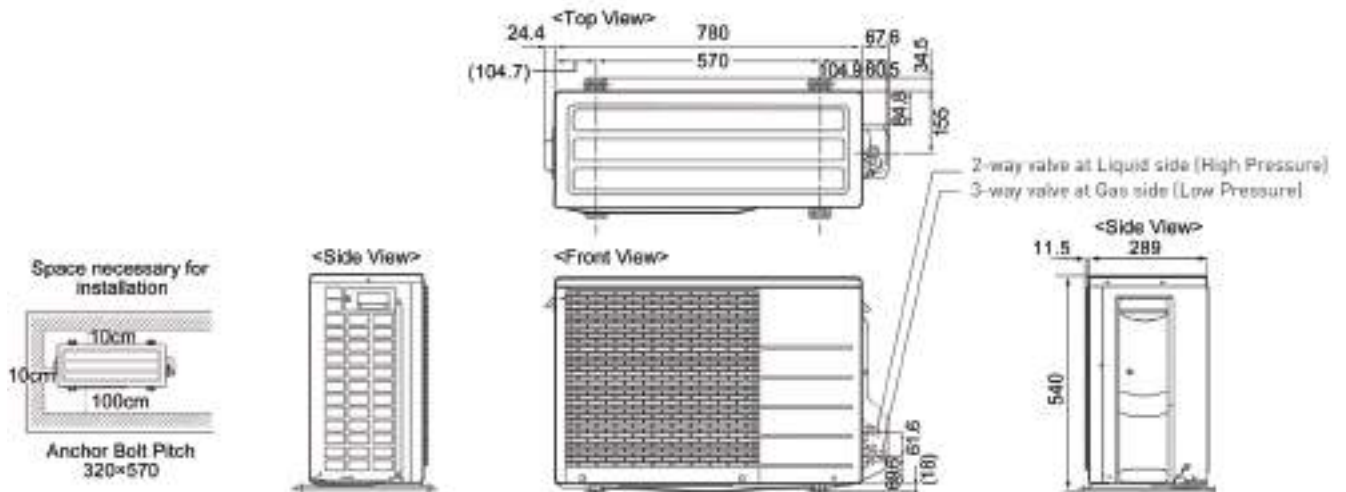
Dimensions (U-34PS2P5 / U-43PS2P5 / U-48PS2P5) 1-phase



Unit:mm

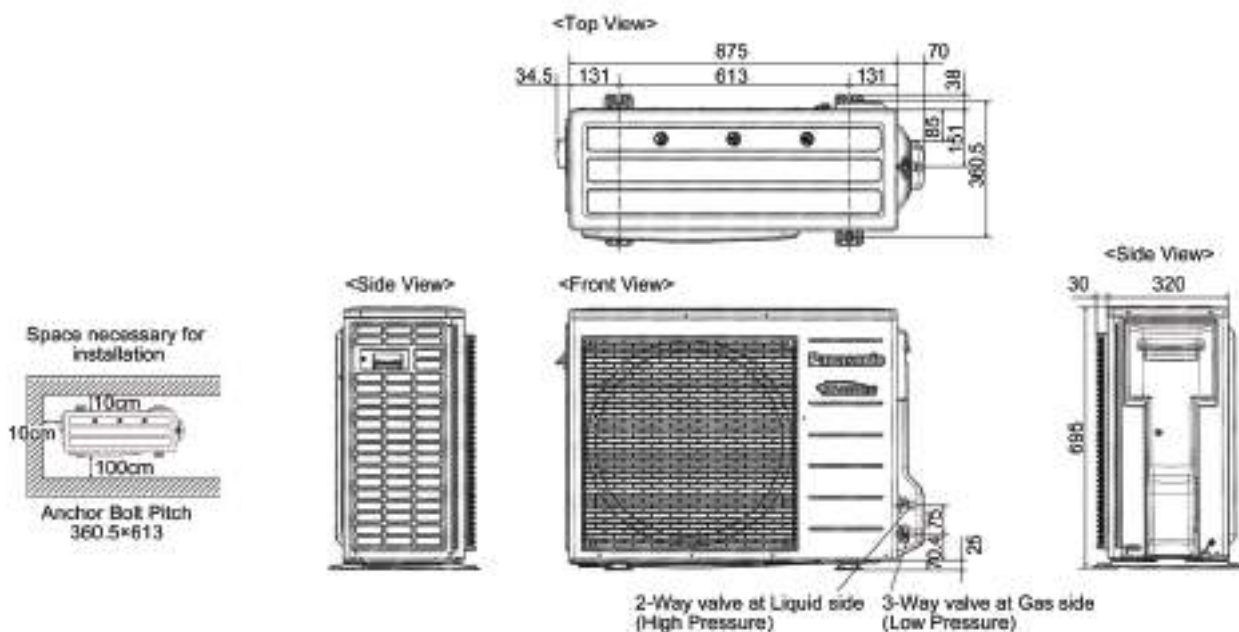
MINI CASSETTE

Dimensions (CU-S12MBP) 1-phase



Unit:mm

Dimensions (CU-S18MBP / CU-S24MBP) 1-phase



Unit:mm

