

# MINI CASSETTE

Model No.  
CS-S12MB4PW  
CS-S18MB4PW  
CS-S24MB4PW



## TECHNICAL FOCUS

- 4-Way Airflow System
- LCD Wireless Remote Controller
- Random Auto Restart
- Removable Washable Panel
- 24 Hours Real On Off Timer
- Dew Prevention Control
- Anti Freezing Control



## Accessories

### Panel



CZ-BT20E

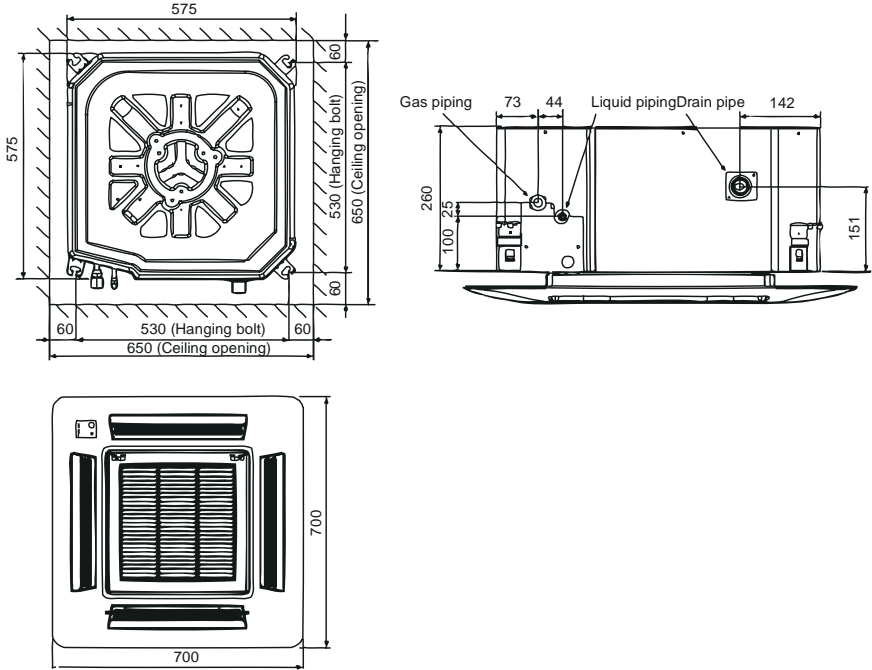
### Selectable Remote Controller



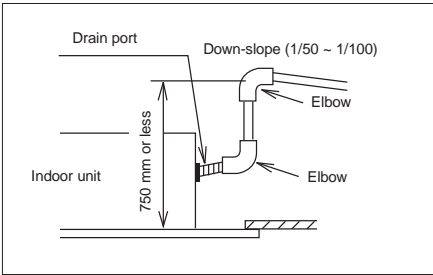
A wireless remote controller is in the same package with the indoor unit.

<b>Capacity ( Btu/h )</b>		<b>11,600</b>
Power Source	V/Phase Hz	
Indoor		<b>CS-S12MB4PW</b>
Outdoor		<b>CU-S12MBP</b>
Panel		CZ-BT20EW
Cooling Capacity: Rated (Min-Max)	kW	3.40 (0.93-4.40)
	Btu/h	11,600 (3,170-15,000)
Current: Rated	A	4.8
Power Input: Rated (Min-Max)	kW	0.98 (0.26-1.33)
COP / EER	W/W	3.47
	Btu/hW	11.84
<b>Indoor Unit</b>		
Air Volume	m <sup>3</sup> /min	10.5
Sound Pressure Level* (Hi/Lo/Q-Lo)	dB (A)	34 / 26 / 23
Dimension	Indoor (H×W×D)	mm 260 × 575 × 575
	Panel (H×W×D)	mm 51 × 700 × 700
Net Weight	Indoor	kg 18.0
	Panel	kg 2.5
<b>Outdoor Unit</b>		
Sound Pressure Level (Hi)	dB (A)	47
Dimension	Outdoor (H×W×D)	mm 540 × 780 × 289
Net Weight	kg	31.0
Piping Connection	Gas Pipe	mm (inch) 12.70 (1/2)
	Liquid Pipe	mm (inch) 6.35 (1/4)
Pipe Length	Min-Max	m 3.0-15.0
Elevation Difference	m	15.0
Maximum Chargeless Length	Max	m 7.5
Additional Gas	g/m	15
Operating Range, Outdoor	Min-Max	°C 16-43

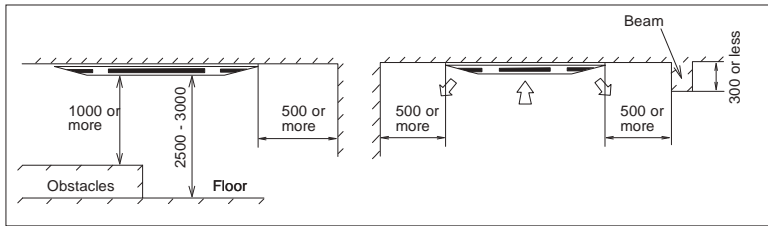
Dimensions



When raising the drain head above the unit



Required space for installation

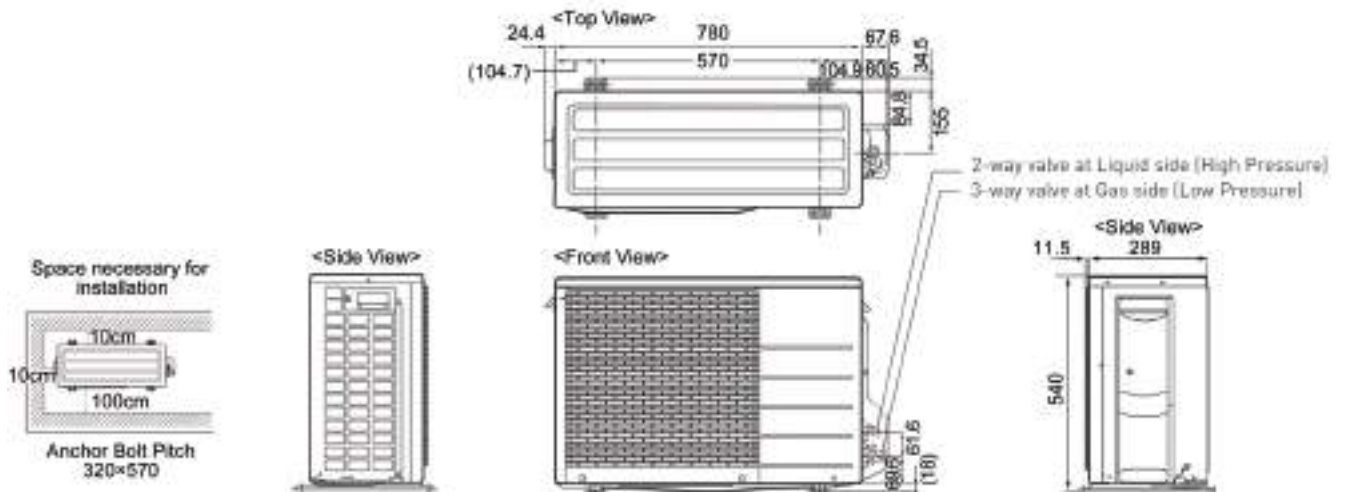


unit: mm

16,000	19,400
220 V, 10 Phase - 50 Hz	
CS-S18MB4PW	CS-S24MB4PW
CU-S18MBP	CU-S24MBP
CZ-BT20EW	CZ-BT20EW
4.70 [0.98-5.60]	5.70 [0.98-6.60]
16,000 [3,340-19,100]	19,400 [3,340-22,500]
6.3	8.5
1.34 [0.27-1.65]	1.82 [0.30-2.15]
3.51	3.13
11.94	10.66
11.3	12.8
38 / 28 / 25	41 / 33 / 30
260 × 575 × 575	260 × 575 × 575
51 × 700 × 700	51 × 700 × 700
18.0	18.0
2.5	2.5
49	49
695 × 875 × 320	695 × 875 × 320
44.0	44.0
12.70 [1/2]	15.88 [5/8]
6.35 [1/4]	6.35 [1/4]
3.0-20.0	3.0-20.0
15.0	15.0
10.0	10.0
15	20
16-43	16-43

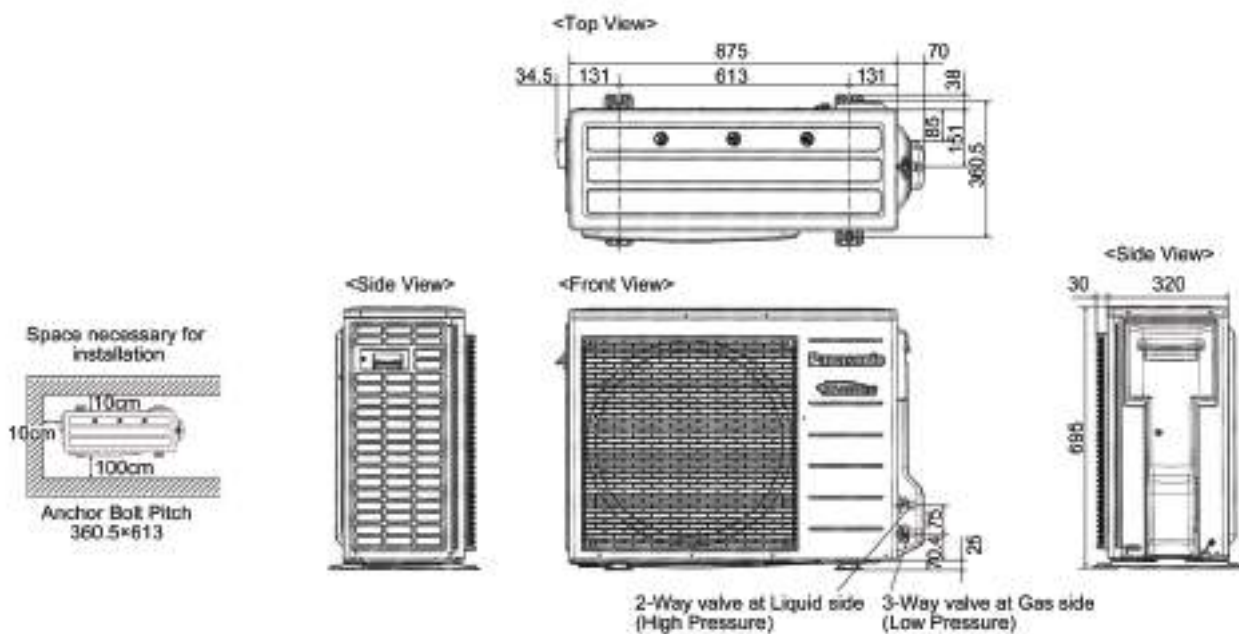
## MINI CASSETTE

### Dimensions (CU-S12MBP) 1-phase



Unit:mm

### Dimensions (CU-S18MBP / CU-S24MBP) 1-phase



Unit:mm