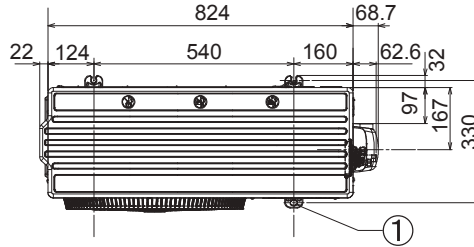
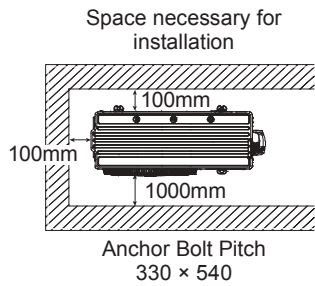
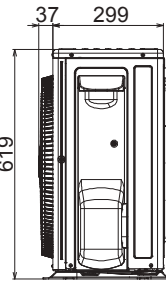
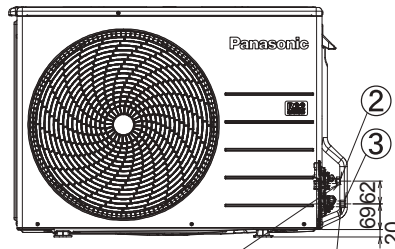
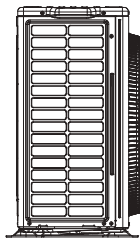


OUTDOOR UNITS NEW

Dimensions (U-19PN1H5 / U-25PN1H5) 1-phase



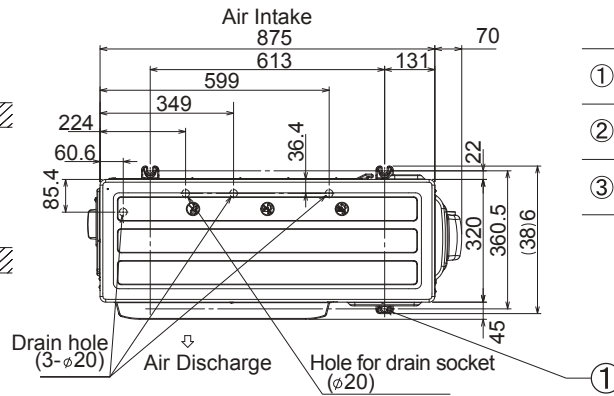
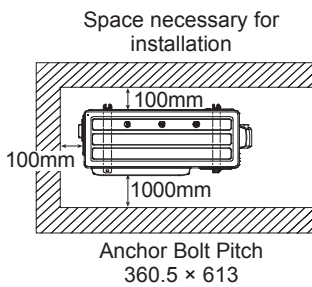
①	Mounting hole (4-R6.5), anchor bolt : M10
②	Refrigerant tubing (liquid tube), flared connection (φ6.35)
③	Refrigerant tubing (gas tube), flared connection (φ12.70)



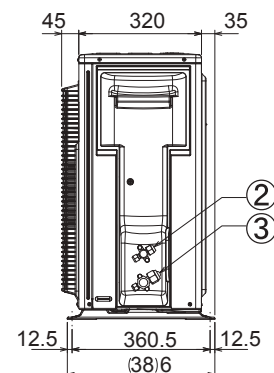
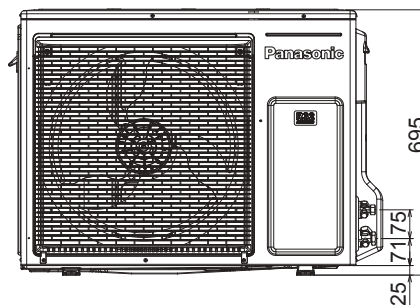
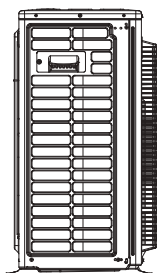
Unit:mm

2-way valve at Liquid side (High Pressure) 3-way valve at Gas side (Low Pressure)

Dimensions (U-30PN1H5) 1-phase (U-30PN1H8 / U-36PN1H8) 3-phase

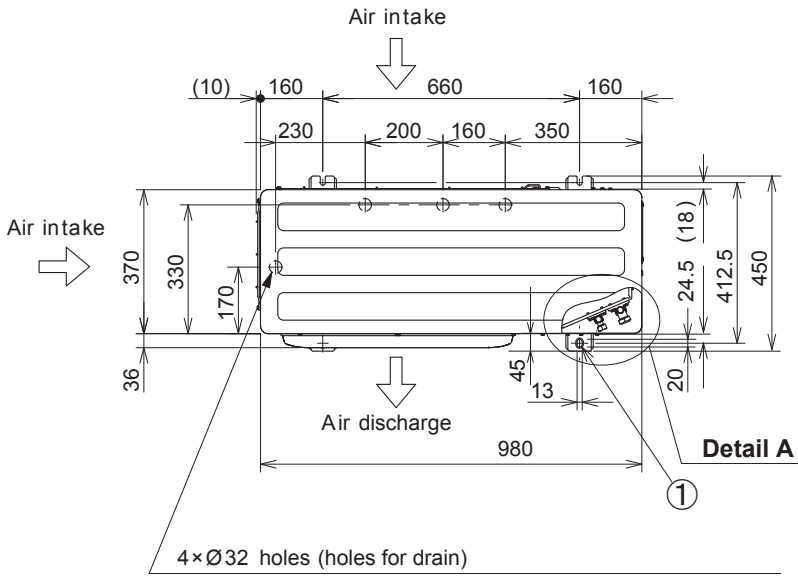


①	Mounting hole (4-R6.5), anchor bolt : M10
②	Refrigerant tubing (liquid tube), flared connection (φ9.52)
③	Refrigerant tubing (gas tube), flared connection (φ15.88)

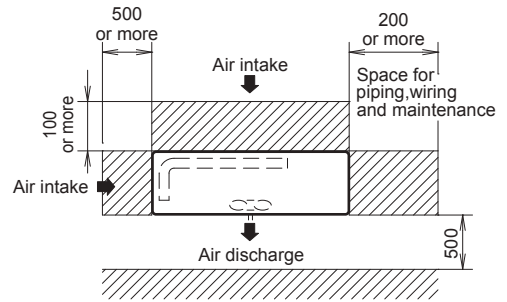


Unit:mm

Dimensions (U-42PN1H8 / U-50PN1H8) 3-phase



When using a drain pipe, install the drain socket (field supply) on to the drain port. Seal the other drain port with the rubber cap.



①	Mounting hole (4-R6.5), anchor bolt : M10
②	Refrigerant tubing (liquid tube), flared connection (Ø9.52)
③	Refrigerant tubing (gas tube), flared connection (Ø15.88)
④	Refrigerant tubing port
⑤	Electrical wiring port (Ø13)
⑥	Electrical wiring port (Ø22)
⑦	Electrical wiring port (Ø27)
⑧	Electrical wiring port (Ø35)

