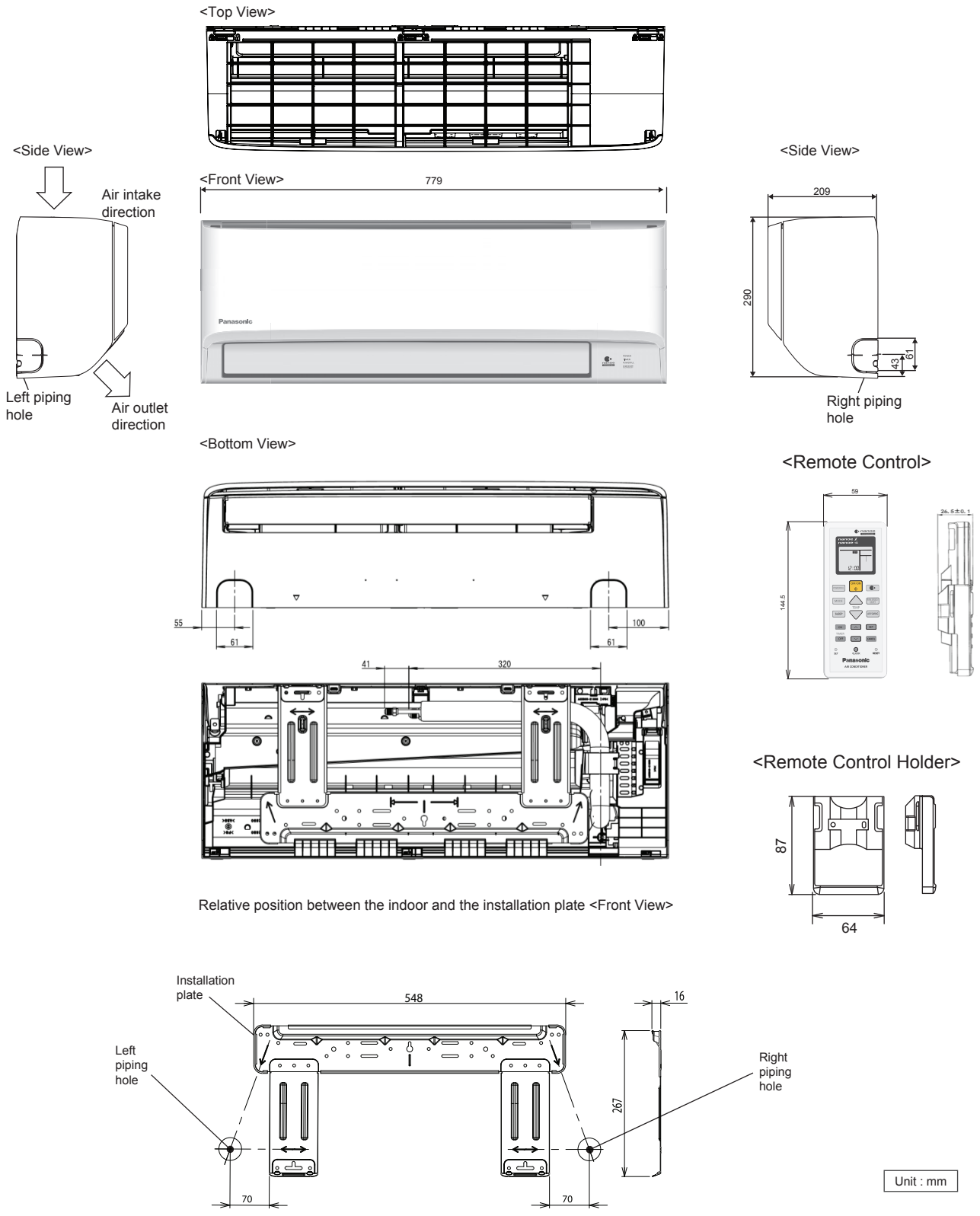


Dimensions

1. Indoor Unit

1.1 CS-PN5WKJ / CS-PN7WKJ / CS-PN9WKJ / CS-PN12WKJ



Unit : mm

2. Outdoor Unit

2.1 CU-PN5WKJ / CU-PN7WKJ / CU-PN9WKJ / CU-PN12WKJ

