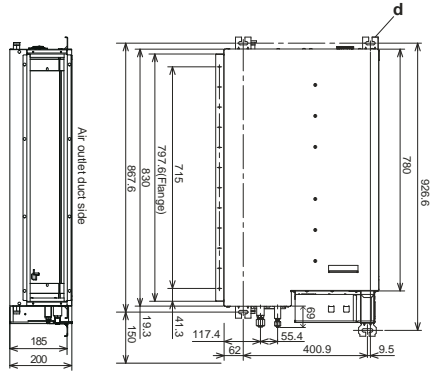
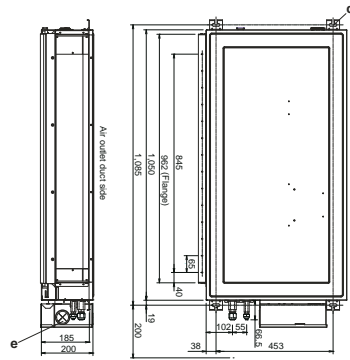


# Z1 TYPE SLIM LOW STATIC DUCTED TWENTY SERIES Dimensions

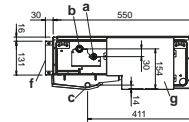
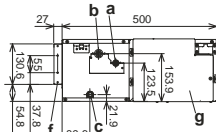
## SIZE 22-60



## SIZE 73



- a) Refrigerant tubing joint (liquid tube)
- b) Refrigerant tubing joint (gas tube)
- c) Bottom drain port O.D.Ø20.5 mm / I.D. Ø15.5mm
- d) Suspension lug (4 – 12 × 30 mm)
- e) Power supply outlet
- f) Flange for flexible air outlet duct
- g) Electrical component box



unit: mm