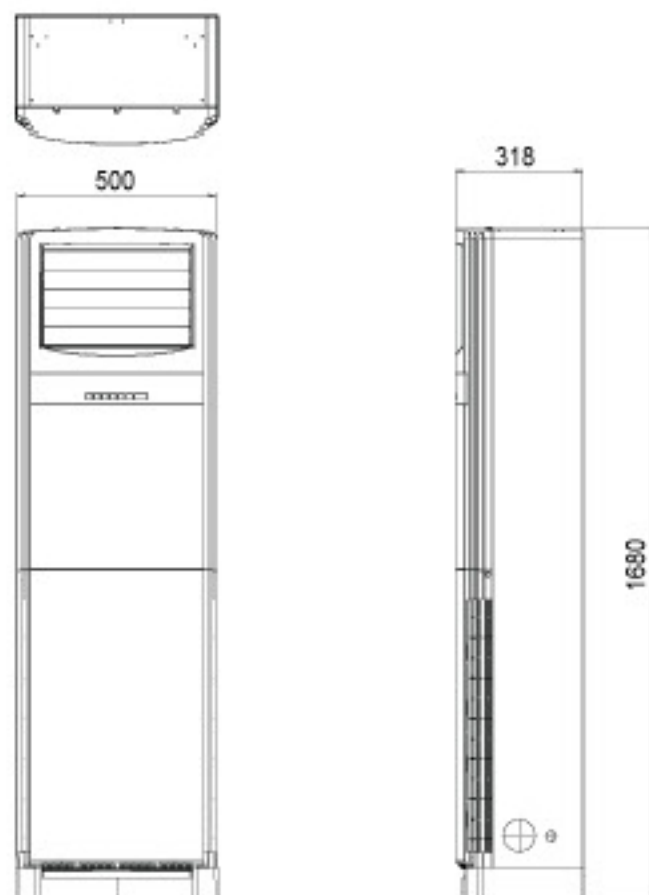


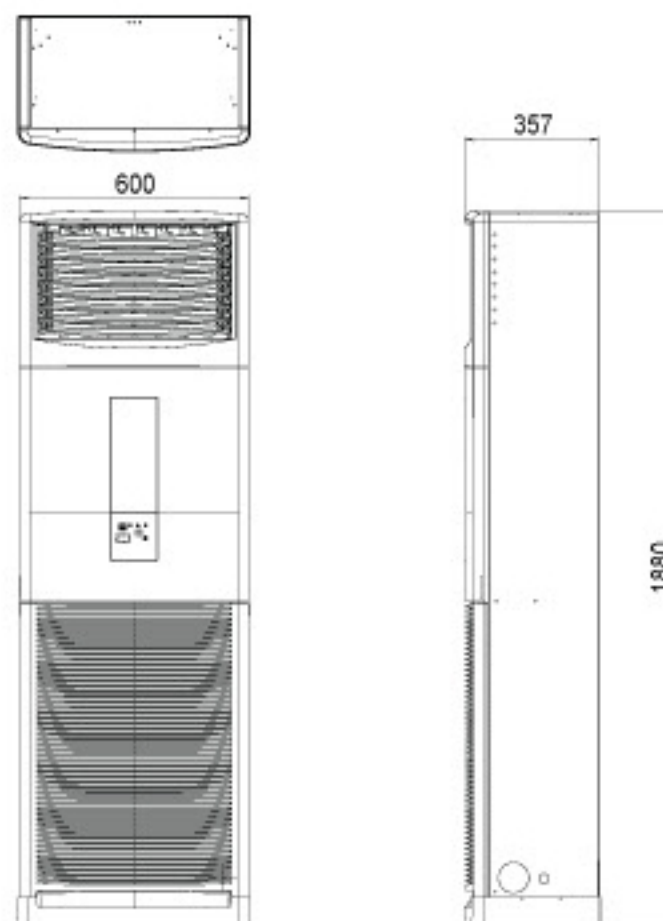
---

## FLOOR STANDINGS **NEW** // Dimensions

S-21/24PB3H5



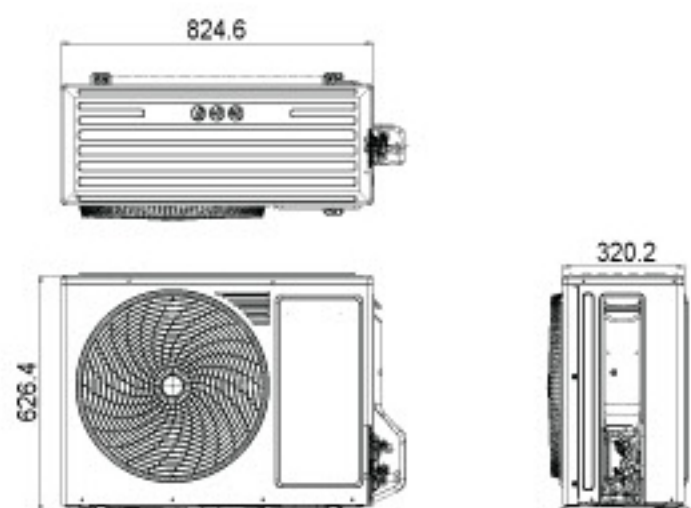
S-34/43/48PB3H5



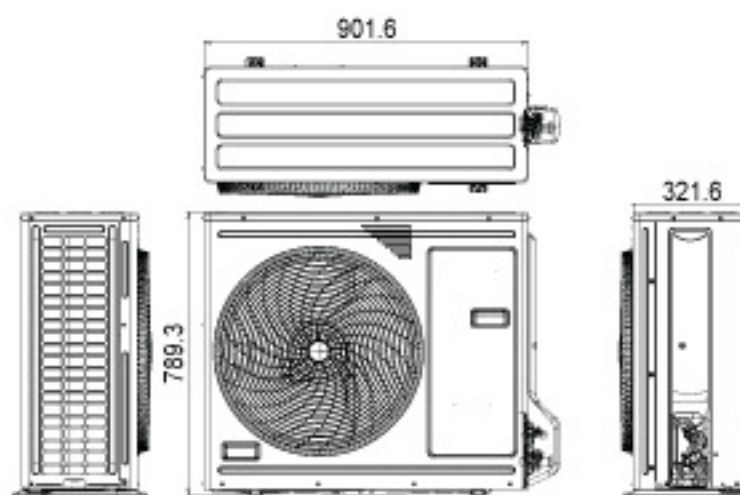
---

## OUTDOOR UNITS **NEW** // Dimensions

U-21/24PRB1H5



U-34PSB3H5



U-43/48PSB3H5

