

DELUXE / STANDARD CEILING SUSPENDED

- The slim design makes thickness only 235 mm.
- Compact looking, stylish, one-motion design.
- Comfortable, long-distance airflow distribution.



nanoeX
Generator Mark2

DELUXE NEW CZ-RTC6BLW [Bluetooth® & Wi-Fi]

Capacity [Btu/h(Phase)]	17,100	20,500	24,200	34,100	42,700	42,700(3)	47,800	47,800(3)
Power Source	220-240V, 10 Phase - 50Hz		220-240V, 10 Phase - 50Hz		220-240V, 10 Phase - 50Hz		220-240V, 10 Phase - 50Hz	
Indoor Unit	S-1821PT3H	S-1821PT3H	S-2430PT3H	S-3448PT3H	S-3448PT3H	S-3448PT3H	S-3448PT3H	S-3448PT3H
Outdoor Unit	U-18PR1H5	U-21PR1H5	U-24PR1H5	U-34PR1H5	U-43PR1H5	U-43PR1H5	U-48PR1H5	U-48PR1H5
Cooling Capacity: Rated [Min-Max]	kW		kW		kW		kW	
Current: Rated [Max]	A		A		A		A	
Power Input: Rated [Min-Max]	kW		kW		kW		kW	
CSPF	7.20		6.70		6.85		6.05	
COP/EER	W/W		W/W		W/W		W/W	
Indoor Unit	CZ-RTC6BLW [Bluetooth & WLAN]							
Air Volume	m³/min		m³/min		m³/min		m³/min	
Sound Pressure Level [Hi/L0]	dB [A]		dB [A]		dB [A]		dB [A]	
Sound Power Level [Hi/L0]	dB		dB		dB		dB	
Dimension	Indoor [HxWxD] mm		Indoor [HxWxD] mm		Indoor [HxWxD] mm		Indoor [HxWxD] mm	
Net Weight	Indoor kg		Indoor kg		Indoor kg		Indoor kg	
Outdoor Unit	CZ-RTC6BLW [Bluetooth & WLAN]							
Sound Pressure Level	dB [A]		dB [A]		dB [A]		dB [A]	
Sound Power Level	dB		dB		dB		dB	
Dimension	Outdoor [HxWxD] mm		Outdoor [HxWxD] mm		Outdoor [HxWxD] mm		Outdoor [HxWxD] mm	
Net Weight	kg		kg		kg		kg	
Piping Connection	Gas Pipe mm [inch]		Gas Pipe mm [inch]		Gas Pipe mm [inch]		Gas Pipe mm [inch]	
Pipe Length	Min-Max m		Min-Max m		Min-Max m		Min-Max m	
Elevation Difference	m		m		m		m	
Maximum Chargeless Length Max	m		m		m		m	
Additional Gas	g/m		g/m		g/m		g/m	
Operation Range, Outdoor	Min-Max °C		Min-Max °C		Min-Max °C		Min-Max °C	

* Specifications are subject to change without notice. Please refer to technical documents for more details. * The sound pressure level is measured in accordance with JIS C 9612 and JIS B 8616. * DELUXE series indoor units can only be connected to outdoor units of the same series.



nanoeX
Generator Mark2

STANDARD

Capacity [Btu/h(Phase)]	17,100	20,500	24,200	29,000	34,100	42,700	42,700 (3)	45,500	45,500(3)	
Power Source	220-240V, 10 Phase - 50Hz		220-240V, 10 Phase - 50Hz		220-240V, 10 Phase - 50Hz		220-240V, 10 Phase - 50Hz		220-240V, 10 Phase - 50Hz	
Indoor Unit	S-1821PT3H	S-1821PT3H	S-2430PT3H	S-2430PT3H	S-3448PT3H	S-3448PT3H	S-3448PT3H	S-3448PT3H	S-3448PT3H	
Outdoor Unit	U-18PR1H5	U-21PR1H5	U-24PR1H5	U-30PR1H5	U-34PR1H5	U-43PR1H5	U-43PR1H5	U-48PR1H5	U-48PR1H5	
Cooling Capacity: Rated [Min-Max]	kW		kW		kW		kW		kW	
Current: Rated [Min-Max]	A		A		A		A		A	
Power Input: Rated [Min-Max]	kW		kW		kW		kW		kW	
CSPF	6.18		5.65		5.51		5.86		5.04	
COP/EER	W/W		W/W		W/W		W/W		W/W	
Indoor Unit	CZ-RTC6BLW [Bluetooth & WLAN]									
Air Volume	m³/min		m³/min		m³/min		m³/min		m³/min	
Sound Pressure Level [Hi/L0]	dB [A]		dB [A]		dB [A]		dB [A]		dB [A]	
Sound Power Level [Hi/L0]	dB		dB		dB		dB		dB	
Dimension	Indoor [HxWxD] mm		Indoor [HxWxD] mm		Indoor [HxWxD] mm		Indoor [HxWxD] mm		Indoor [HxWxD] mm	
Net Weight	Indoor kg		Indoor kg		Indoor kg		Indoor kg		Indoor kg	
Outdoor Unit	CZ-RTC6BLW [Bluetooth & WLAN]									
Sound Pressure Level	dB [A]		dB [A]		dB [A]		dB [A]		dB [A]	
Sound Power Level	dB		dB		dB		dB		dB	
Dimension	Outdoor [HxWxD] mm		Outdoor [HxWxD] mm		Outdoor [HxWxD] mm		Outdoor [HxWxD] mm		Outdoor [HxWxD] mm	
Net Weight	kg		kg		kg		kg		kg	
Piping Connection	Gas Pipe mm [inch]		Gas Pipe mm [inch]		Gas Pipe mm [inch]		Gas Pipe mm [inch]		Gas Pipe mm [inch]	
Pipe Length	Min-Max m		Min-Max m		Min-Max m		Min-Max m		Min-Max m	
Elevation Difference	m		m		m		m		m	
Maximum Chargeless Length Max	m		m		m		m		m	
Additional Gas	g/m		g/m		g/m		g/m		g/m	
Operation Range, Outdoor	Min-Max °C		Min-Max °C		Min-Max °C		Min-Max °C		Min-Max °C	

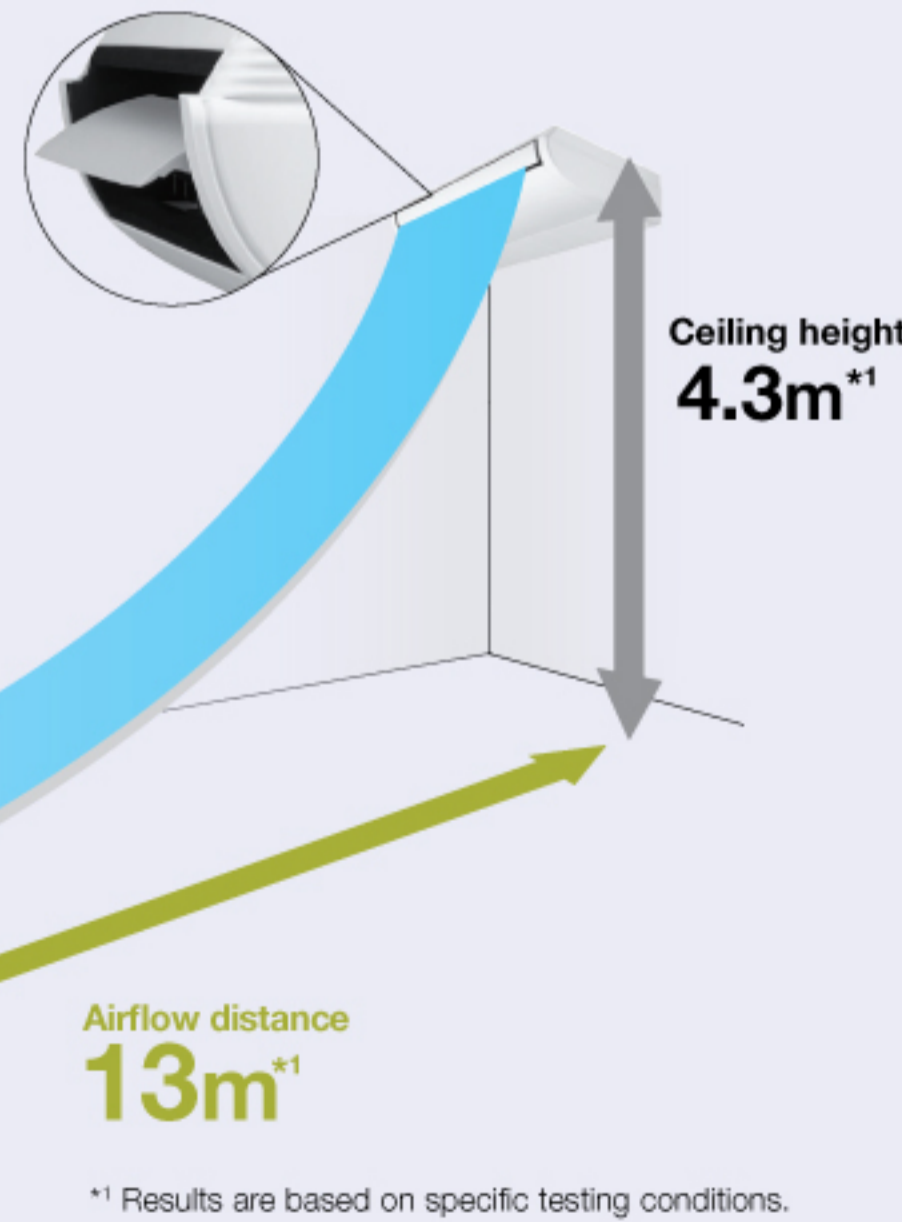
* Specifications are subject to change without notice. Please refer to technical documents for more details. * The sound pressure level is measured in accordance with JIS C 9612 and JIS B 8616. * STANDARD series indoor units can only be connected to outdoor units of the same series.

Advantages of Ceiling Suspended

Comfortable, Long-Distance Airflow Distribution

The shape of the outlet has been optimised to provide long-distance airflow distribution.

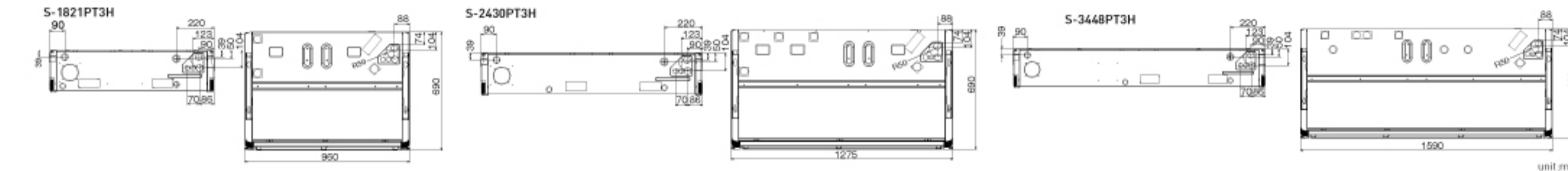
Even in long rooms, airflow reaches every corner for exceptionally comfortable air conditioning.



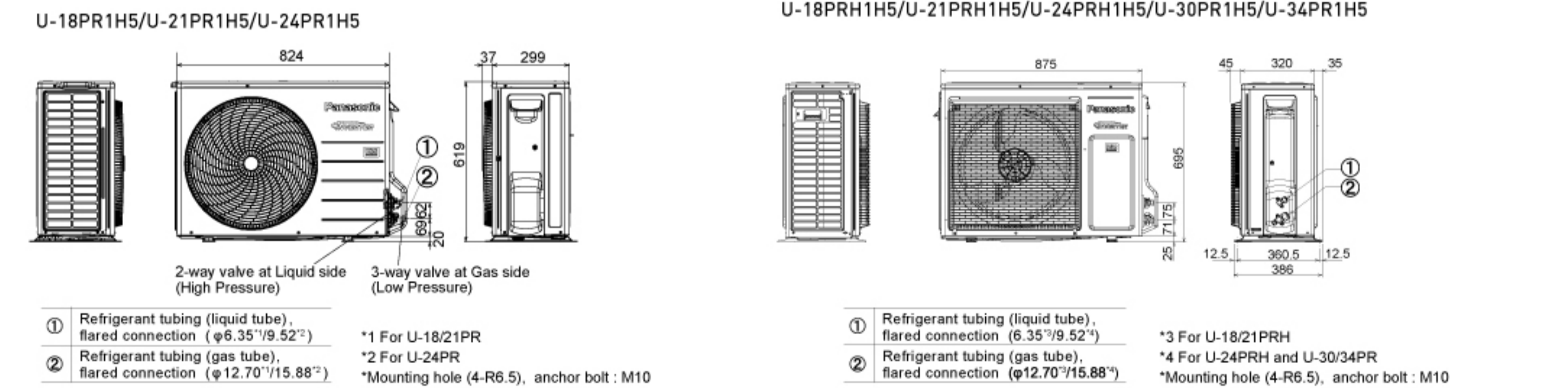
*1 Results are based on specific testing conditions.



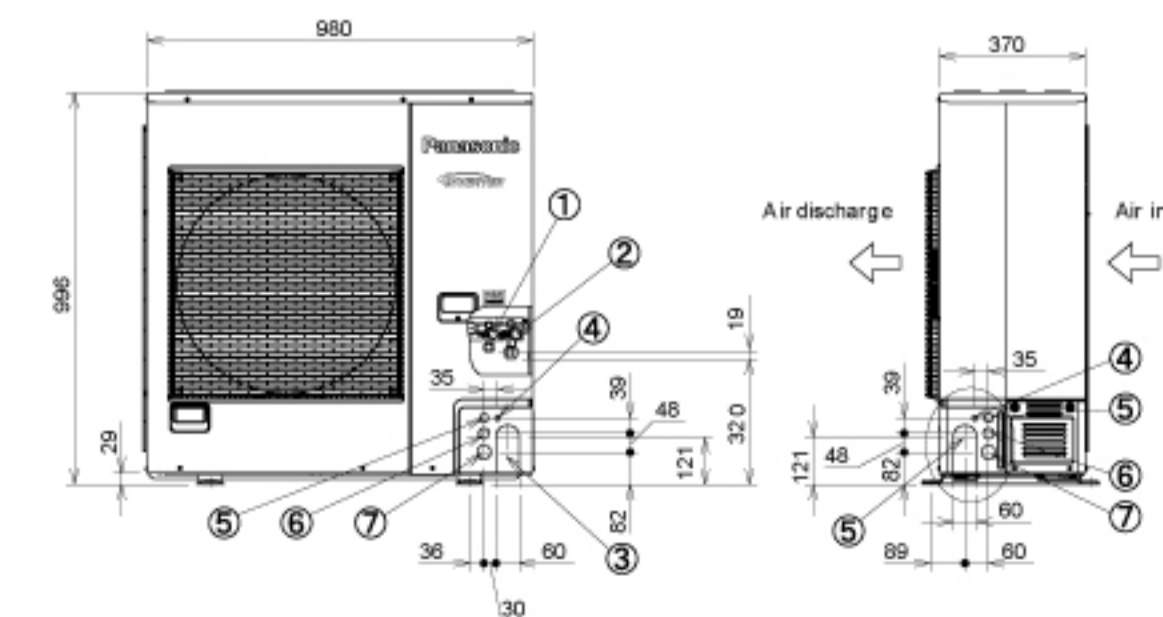
CEILING SUSPENDED Dimensions



OUTDOOR UNITS Dimensions



U-34PR1H5/U-43PR1H5/U-43PR1H5/U-43PR1H5/U-43PR1H8/U-43PR1H8 U-48PR1H5/U-48PR1H5/U-48PR1H8/U-48PR1H8



- ① Refrigerant tubing (liquid tube), flared connection (Ø9.52)
- ② Refrigerant tubing (gas tube), flared connection (Ø15.88)
- ③ Refrigerant tubing port
- ④ Electrical wiring port (Ø13)
- ⑤ Electrical wiring port (Ø22)
- ⑥ Electrical wiring port (Ø27)
- ⑦ Electrical wiring port (Ø35)

*Mounting hole (4-R6.5), anchor bolt : M10

unit:mm