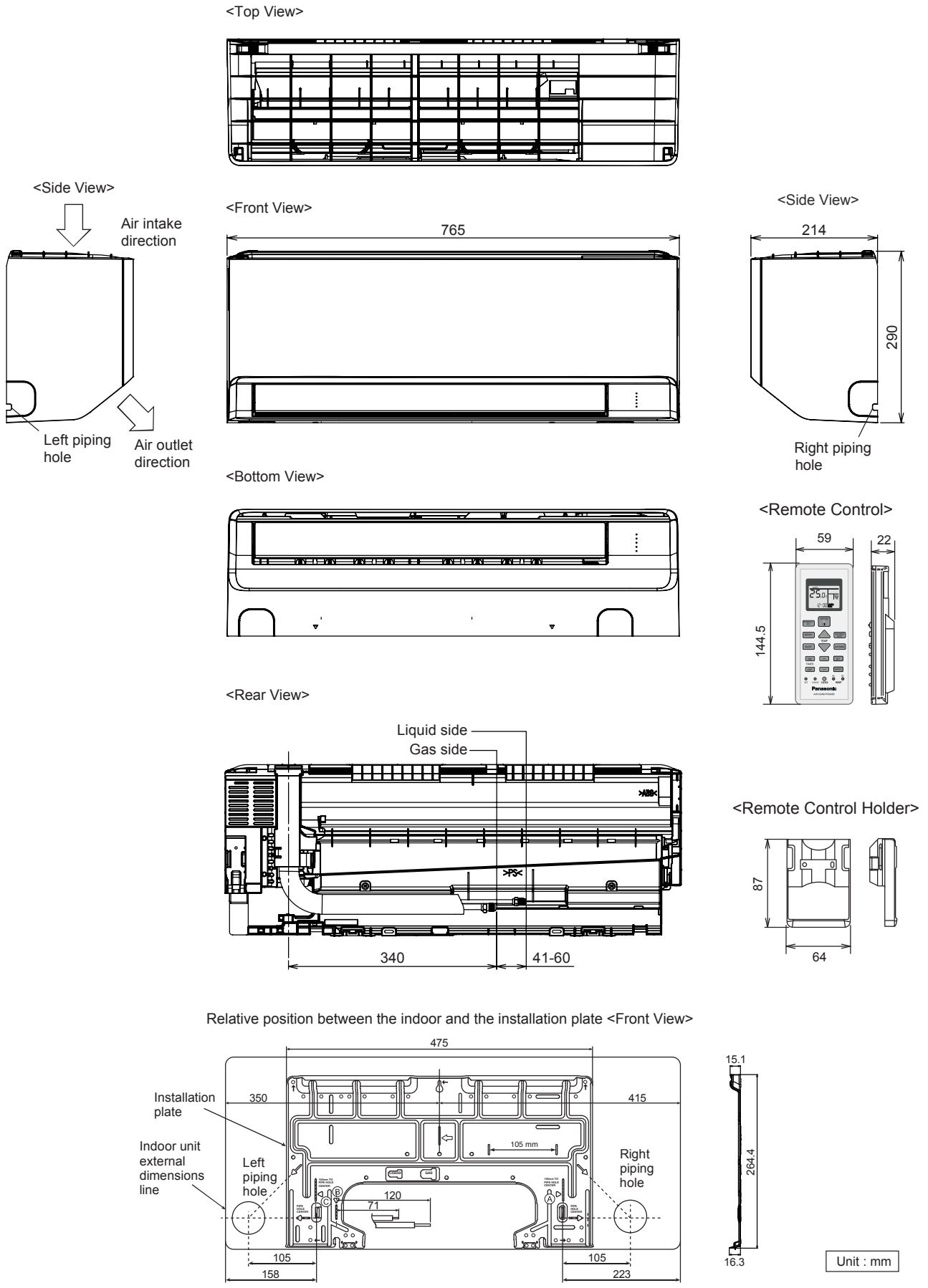


Dimensions

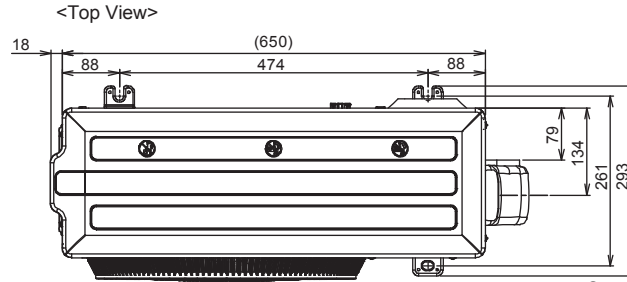
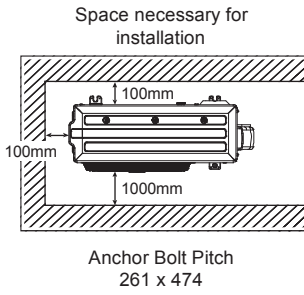
1. Indoor Unit

1.1 CS-QU9AKH / CS-QU12AKH / CS-QU18AKH

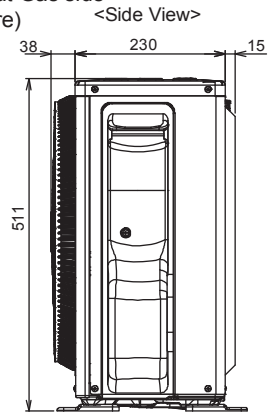


2. Outdoor Unit

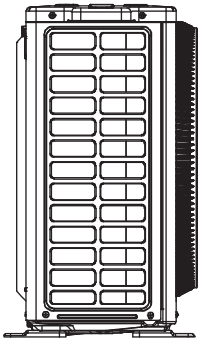
2.1 CU-RU9AKH



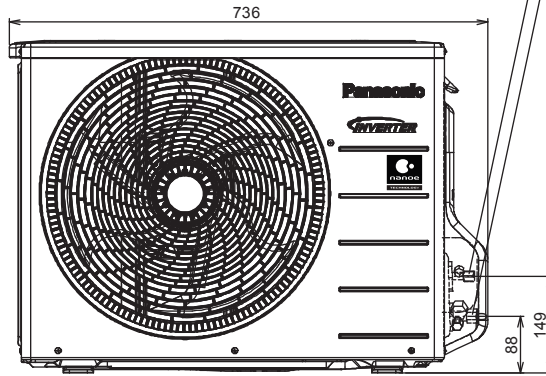
2-way valve at Liquid side
(High Pressure)
3-way valve at Gas side
(Low Pressure)



<Side View>

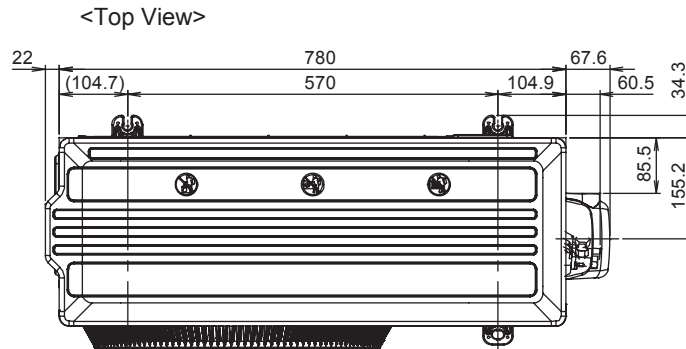
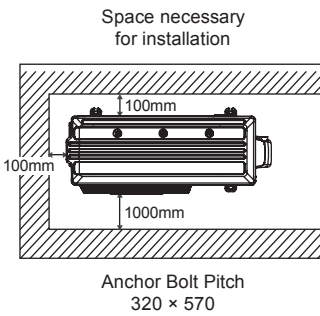


<Front View>



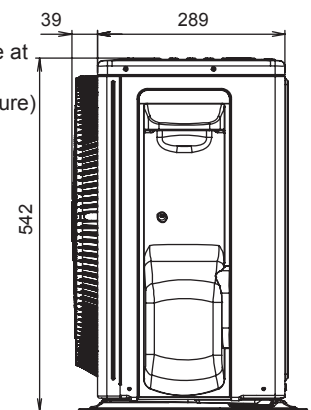
Unit : mm

2.2 CU-RU12AKH

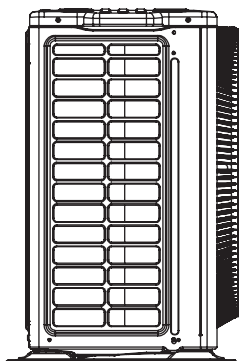


2-way valve at
Liquid side
(High Pressure)

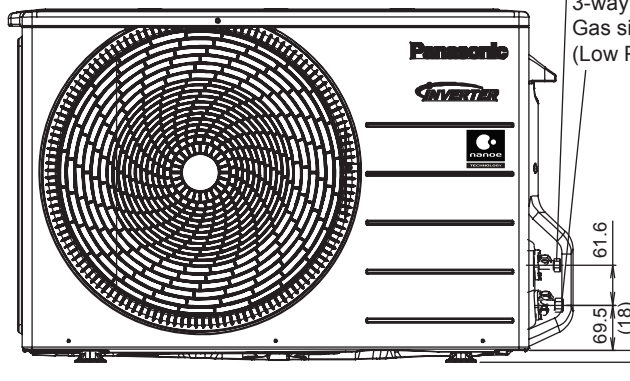
<Side View>



<Side View>



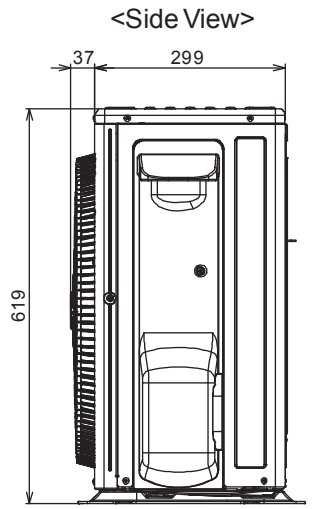
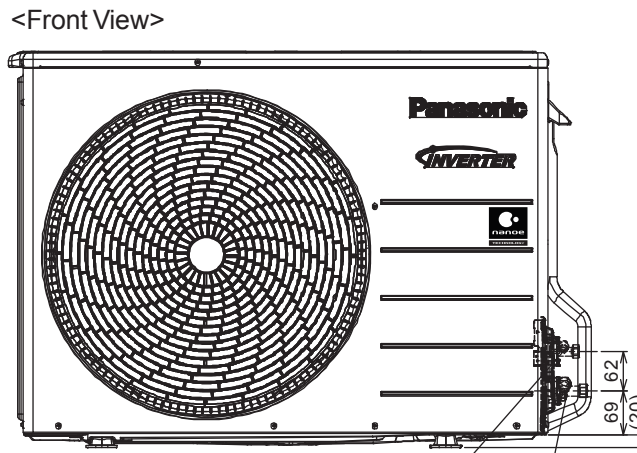
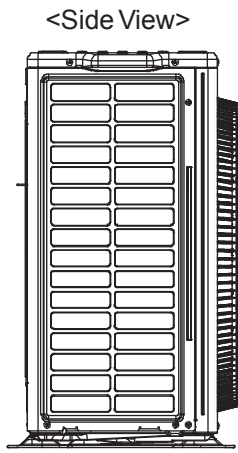
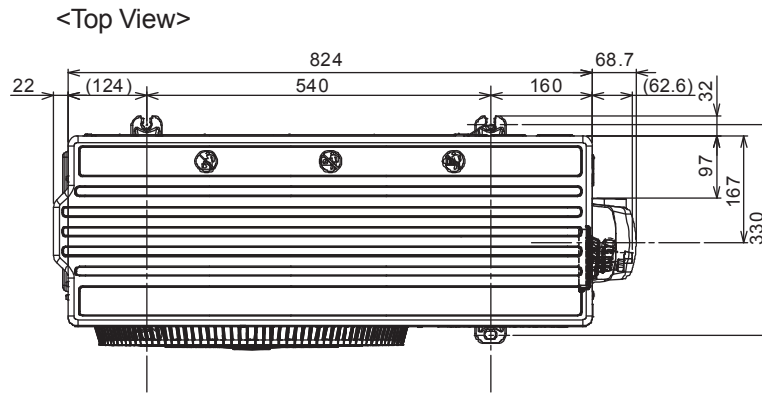
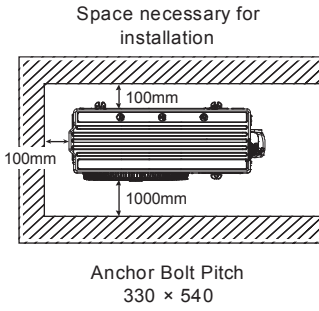
<Front View>



3-way valve at
Gas side
(Low Pressure)

Unit: mm

2.3 CU-RU18AKH



Unit : mm

3-way valve at Gas side
(Low Pressure)
2-way valve at Liquid side
(High Pressure)