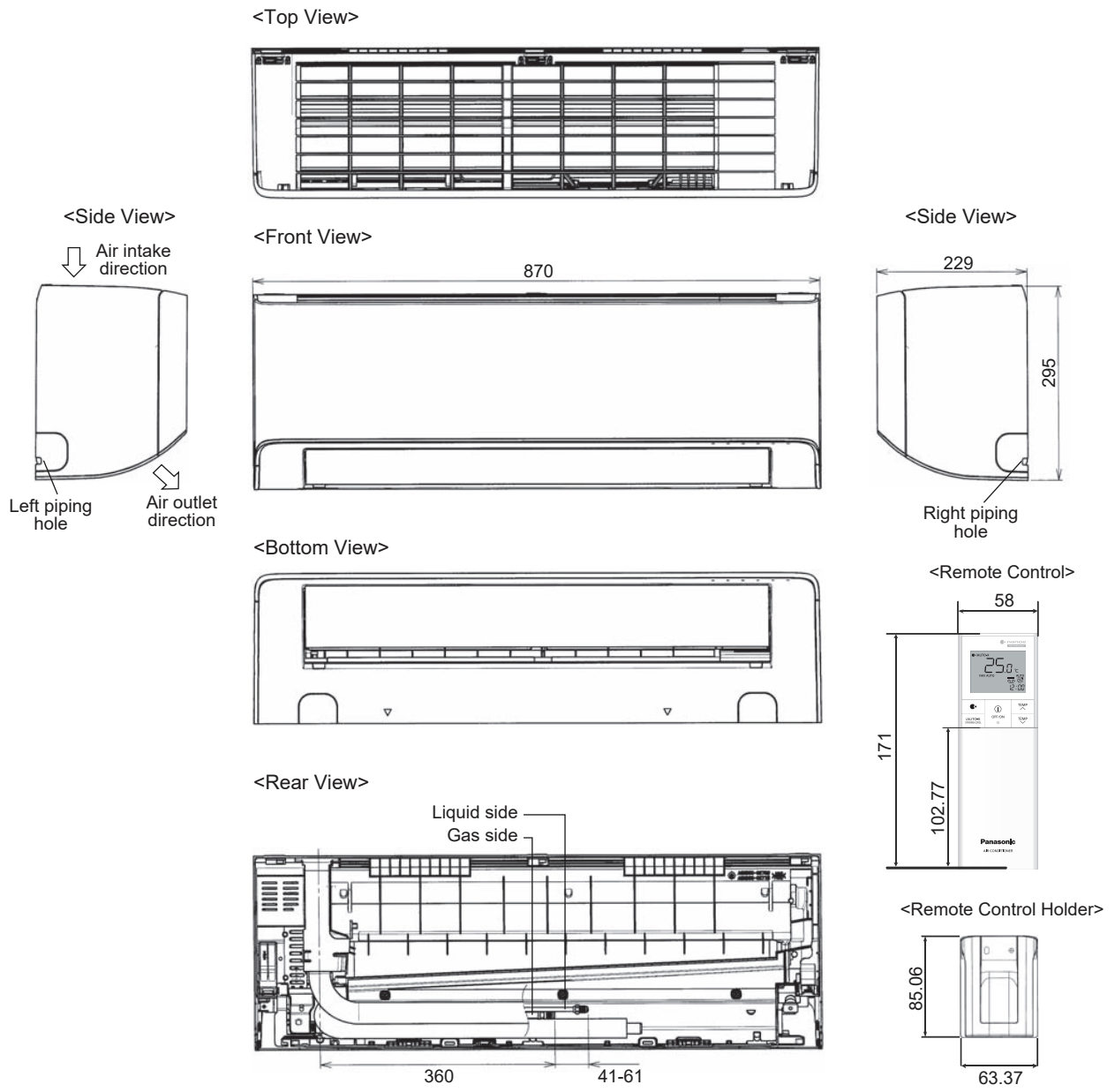


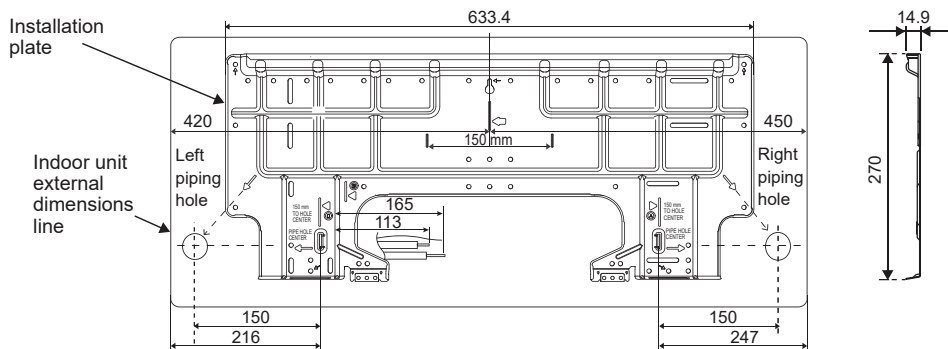
Dimensions

1 Indoor Unit

1.1 CS-U10AKH / CS-U13AKH



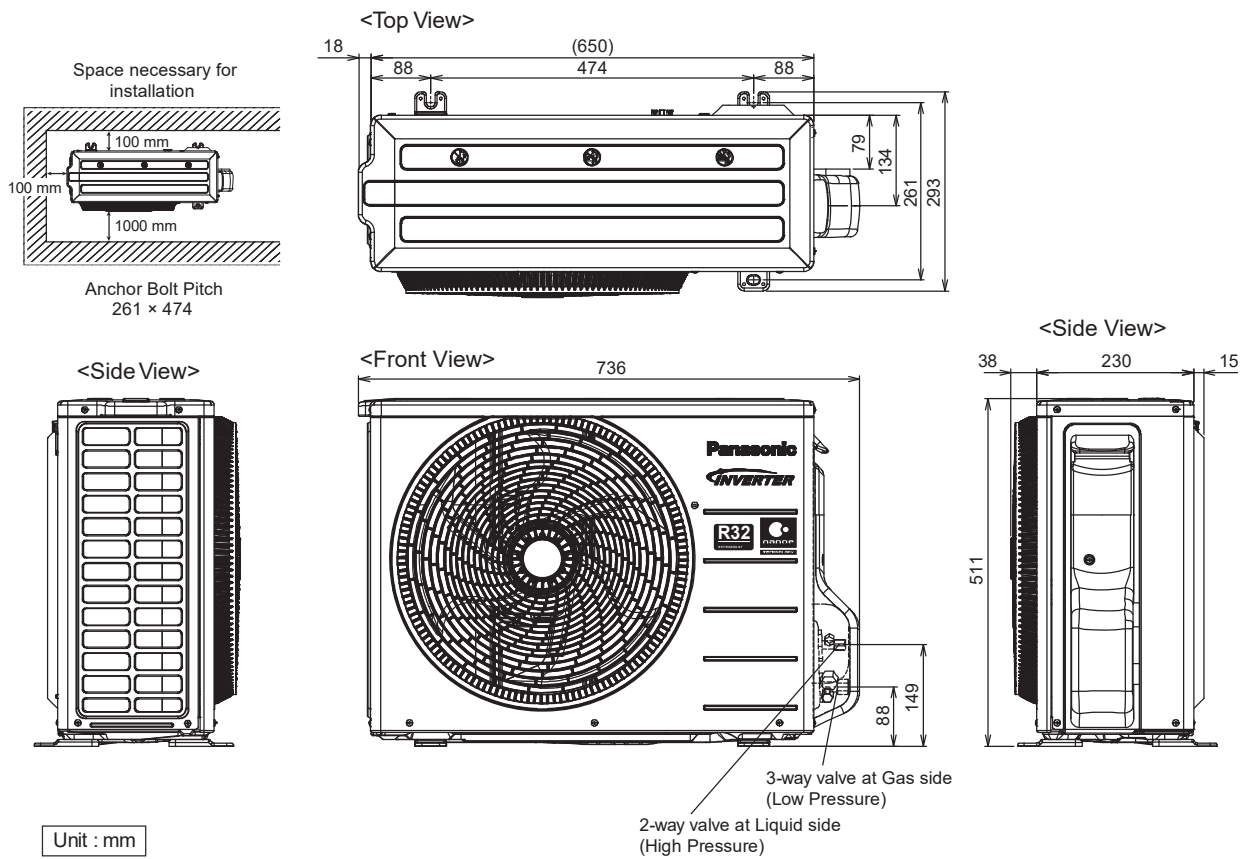
Relative position between the indoor unit and the installation plate <Front View>



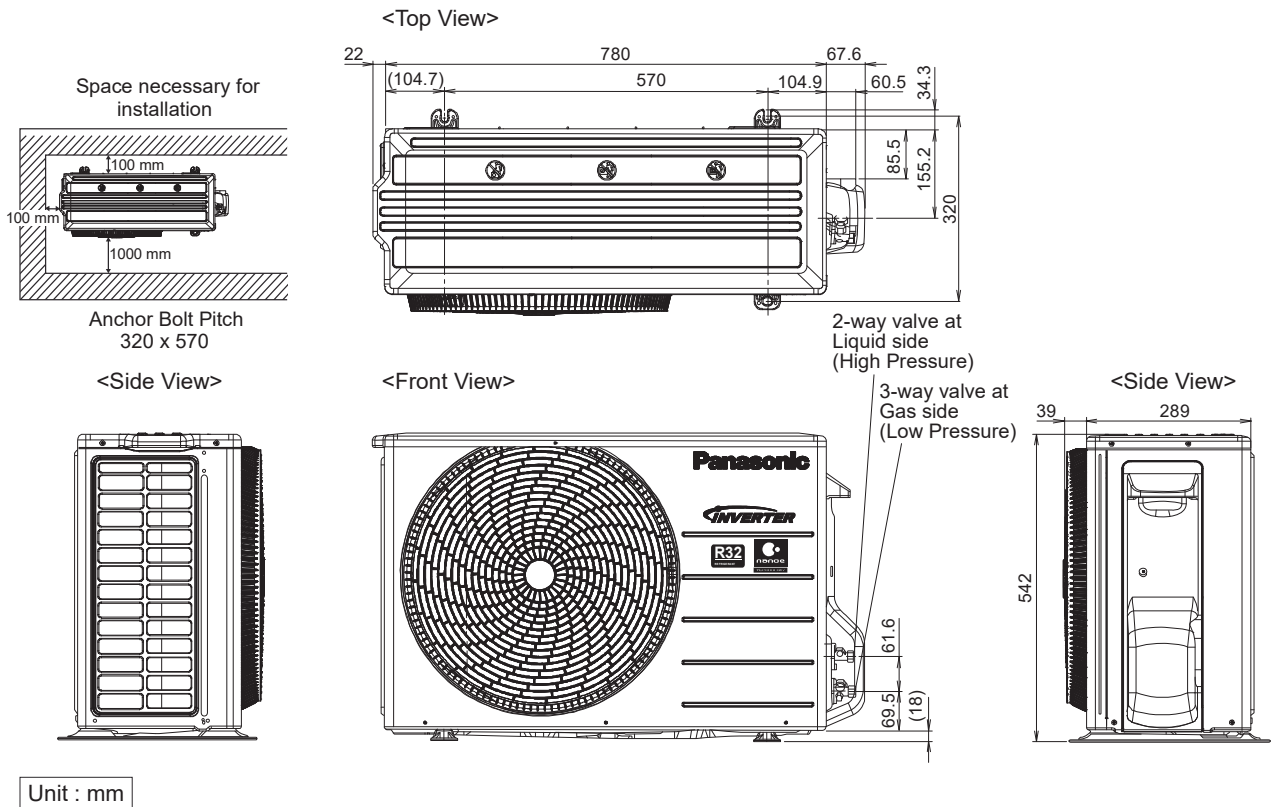
Unit: mm

2 Outdoor Unit

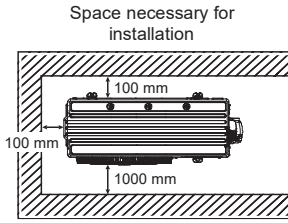
2.1 CU-U10AKH



2.2 CU-U13AKH

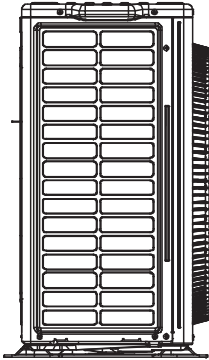


2.3 CU-U18AKH / CU-U24AKH



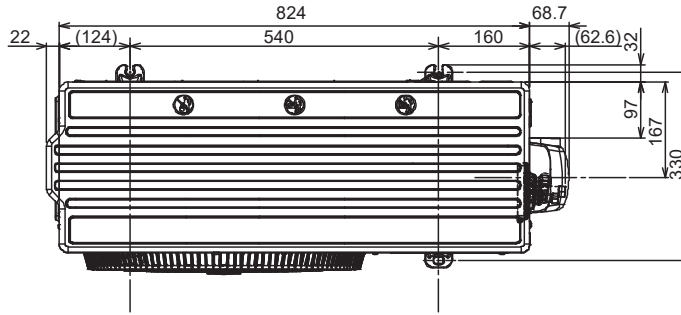
Anchor Bolt Pitch
330 × 540

<Side View>

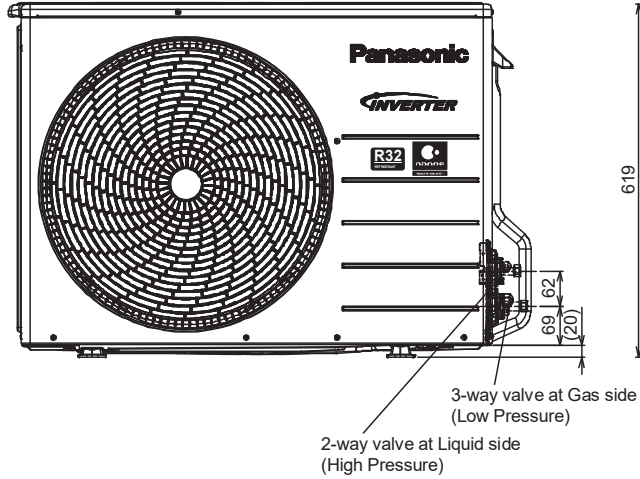


Unit : mm

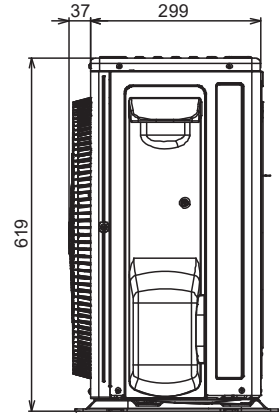
<Top View>



<Front View>

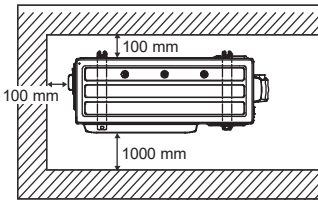


<Side View>



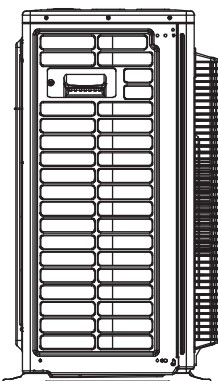
2.4 CU-U28AKH

Space necessary for
installation



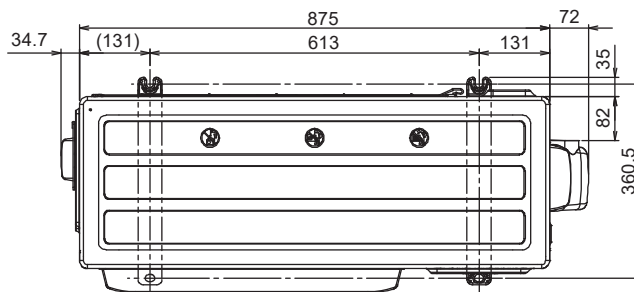
Anchor Bolt Pitch
360.5 × 613

<Side View>

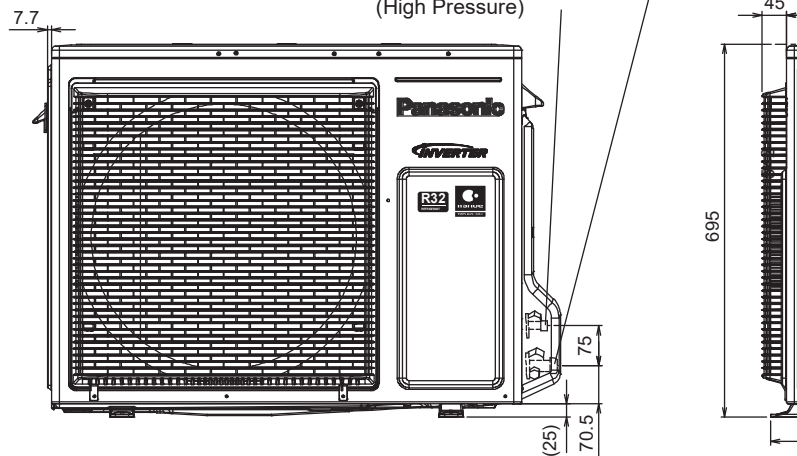


Unit: mm

<Top View>



<Front View>



<Side View>

