

H1 TYPE High-Fresh Air Ducted Concealed duct

High static and large airflow ducted for exceptional installation flexibility.



Optional accessory

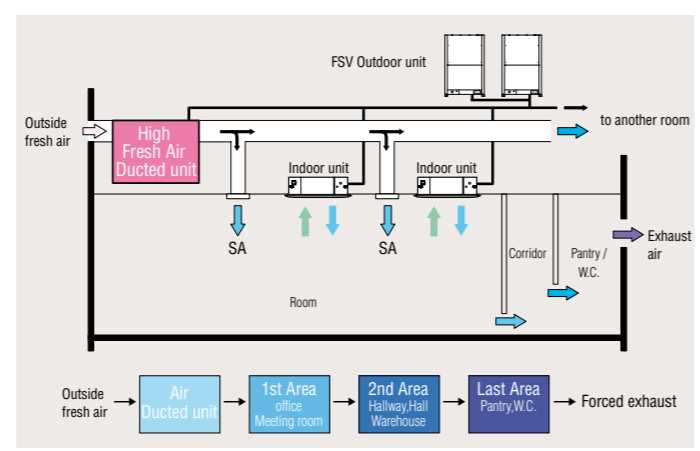


Technical focus

- 100% fresh Air intake for ventilation purpose
- Design flexibility thanks to high static pressure and large air volume
- Discharge air temperature control to reduce cold drafts during heating operation
- Configurable air temperature control

High Fresh System

High Fresh system enables delivery of fresh outside air at almost the same temperature and humidity as indoor air without putting a burden on air conditioning.
 * Capable of treating outdoor air only. Indoor air conditioner units are required to adjust indoor air temperature.



Mix operation unit with standard indoor units

Possible to combine High Fresh Air ducted indoor unit and standard air ducted indoor units.

When other indoor units are connected in same circuit, keep following capacity ratio.
 H1 type/Outdoor unit < 30%, and Total of indoors(incl. H1)/outdoor < 100%

Remark For High Static Ducted Series

Model	Operation	Rap valve kit CZ-P160RVK2	3way control PCB CZ-CAPE2	3way valve kit CZ-P160HR3	Distribution Joint kit <2pipes> CZ-P160BK2 for 22.4kW unit or less CZ-P680BK2 for more than 22.4kW	Distribution Joint kit <3pipes> CZ-P224BH2 for 22.4kW unit CZ-P680BH2 for 28.0kW unit
H1 Type High-Fresh Air Ducted	Cooling Only	-	-	-	-	-
	Cool or Heat	2pcs	-	-	2pcs	-
	Heat Recovery	-	-	2pcs	1pc	1pc

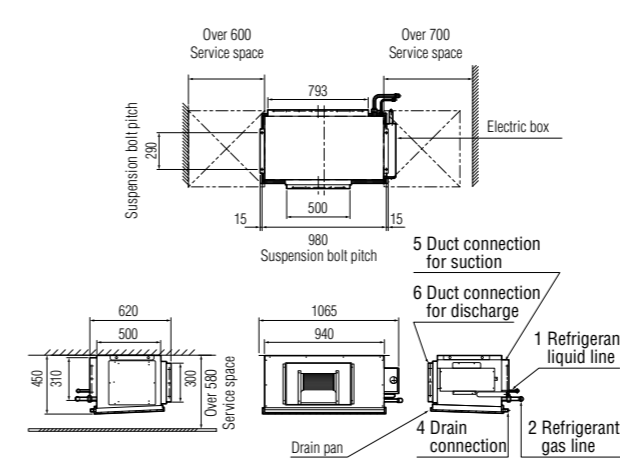
Model Name		S-140MH1H5	S-224MH1H5	S-280MH1H5
Power source		220/230/240 V, 1 phase - 50 Hz		
Cooling capacity	kW	14.0	22.4	28.0
	BTU/h	47,800	76,400	95,500
Heating capacity	kW	13.2	21.2	26.5
	BTU/h	45,000	72,300	90,400
Power input	Cooling kW	0.430/0.430/0.430	0.670/0.670/0.670	0.730/0.730/0.730
	Heating kW	0.430/0.430/0.430	0.670/0.670/0.670	0.730/0.730/0.730
Running current	Cooling A	2.0/1.9/1.9	3.2/3.1/3.0	3.6/3.4/3.3
	Heating A	2.0/1.9/1.9	3.2/3.1/3.0	3.6/3.4/3.3
Fan	Type	Sirocco fan		
	Air flow rate m³/h	1,560	1,800	2,100
	L/s	433	500	583
	Motor output kW	0.3	0.38	0.38
Sound power level (H/M/L)	dB	75/76/76	78/79/79	79/80/80
Sound pressure level (H/M/L)	dB(A)	43/44/44	46/47/47	47/48/48
Dimensions H x W x D	mm	420 x 1,065 x 620	479 x 1,428 x 1,230	479 x 1,428 x 1,230
	Liquid mm (inches)	Ø9.52 (Ø3/8)	Ø12.7 (Ø1/2)	Ø12.7 (Ø1/2)
Pipe connections	Gas mm (inches)	Ø15.88 (Ø5/8)	Ø25.4 (Ø1)	Ø25.4 (Ø1)
	Drain piping	VP-25		
Net weight	kg	50	110	110

GLOBAL REMARKS	Rated conditions:		Specifications are subject to change without notice.
	Cooling	Heating	
Outdoor air temperature	33°C DB / 28°C WB	0°C DB / -2.9°C WB	

H1TYPE HIGH-FRESH AIR DUCTED Dimensions

- 1 Refrigerant liquid line
- 2 Refrigerant gas line
- 3 Power supply entry
- 4 Drain connection
- 5 Duct connection for suction
- 6 Duct connection for discharge

SIZE 140



SIZE 224-280

