

# Cooling Only FSV-EX MS3 Series **HIGH EFFICIENCY COMBINATION MODEL**

Appearance													
HP		8	10	12	14	16	18	20	22	24			
Model name		U-8MS3H7	U-10MS3H7	U-12MS3H7	U-14MS3H7	U-16MS3H7	U-18MS3H7E U-10MS3H7	U-20MS3H7E U-10MS3H7	U-22MS3H7E U-12MS3H7	U-24MS3H7E U-12MS3H7			
Power supply		380/400/415V/3-phase/50Hz 380/400V/3-phase/60Hz											
Capacity	Cooling	kW		22.4	28.0	33.5	40.0	45.0	50.0	56.0	61.5	68.0	
		BTU/h		76,500	95,600	114,300	136,500	153,600	170,600	191,100	209,900	232,100	
EER / COP	Cooling	W/W		5.30	5.03	4.10	4.56	4.13	5.15	5.05	4.49	4.07	
Dimensions	H x W x D	mm		1,842 x 770 x 1,000	1,842 x 770 x 1,000	1,842 x 770 x 1,000	1,842 x 1,180 x 1,000	1,842 x 1,180 x 1,000	1,842 x 1,600 x 1,000	1,842 x 1,600 x 1,000	1,842 x 1,600 x 1,000	1,842 x 1,600 x 1,000	
Net weight		kg		210	210	210	313	313	420	420	420	420	
Electrical ratings	Cooling	Running current	A		7.14 / 6.78 / 6.54	9.62 / 9.14 / 8.81	13.6 / 13.0 / 12.5	15.3 / 14.5 / 14.0	18.4 / 17.5 / 16.8	16.6 / 15.7 / 15.2	19.2 / 18.2 / 17.5	23.1 / 22.0 / 21.2	27.9 / 26.5 / 25.5
		Power input	kW		4.23	5.57	8.17	8.77	10.9	9.70	11.1	13.7	16.7
Starting current		A		1	1	1	2	2	2	2	2	2	
Air flow rate		m <sup>3</sup> /h		13,440	13,440	13,440	13,920	13,920	26,880	26,880	26,880	26,880	
		L/s		3,733	3,733	3,733	3,867	3,867	7,467	7,467	7,467	7,467	
Refrigerant amount at shipment		kg		5.6	5.6	5.6	8.3	8.3	11.2	11.2	11.2	11.2	
External static pressure		Pa		80	80	80	80	80	80	80	80	80	
Piping connections	Gas pipe	mm (inches)		Ø19.05 (Ø3/4)	Ø22.22 (Ø7/8)	Ø28.58 (Ø1-1/8)	Ø28.58 (Ø1-1/8)	Ø28.58 (Ø1-1/8)	Ø28.58 (Ø1-1/8)	Ø28.58 (Ø1-1/8)	Ø28.58 (Ø1-1/8)	Ø28.58 (Ø1-1/8)	
	Liquid pipe	mm (inches)		Ø9.52 (Ø3/8)	Ø9.52 (Ø3/8)	Ø12.70 (Ø1/2)	Ø12.70 (Ø1/2)	Ø12.70 (Ø1/2)	Ø15.88 (Ø5/8)	Ø15.88 (Ø5/8)	Ø15.88 (Ø5/8)	Ø15.88 (Ø5/8)	
	Balance pipe	mm (inches)		Ø6.35 (Ø1/4)	Ø6.35 (Ø1/4)	Ø6.35 (Ø1/4)	Ø6.35 (Ø1/4)	Ø6.35 (Ø1/4)	Ø6.35 (Ø1/4)	Ø6.35 (Ø1/4)	Ø6.35 (Ø1/4)	Ø6.35 (Ø1/4)	
Ambient temperature operating range		Cooling: 10°C (DB)~ +52°C (DB)											
Sound pressure level	Normal mode	dB (A)		53.0	56.0	59.0	58.0	61.0	58.0	59.0	61.0	62.0	
	Silent mode (2)	dB (A)		48.0	51.0	54.0	53.0	56.0	53.0	54.0	56.0	57.0	
Sound power level	Normal mode	dB		74.0	77.0	80.0	79.0	82.0	79.0	80.0	82.0	83.0	



Appearance																		
HP		26	28	30	32	34	36	38	40	42	44	46	48	50	52			
Model name		U-26MS3H7E U-10MS3H7 U-16MS3H7	U-28MS3H7E U-12MS3H7 U-16MS3H7	U-30MS3H7E U-14MS3H7 U-16MS3H7	U-32MS3H7E U-16MS3H7 U-16MS3H7	U-34MS3H7E U-10MS3H7 U-12MS3H7 U-12MS3H7	U-36MS3H7E U-12MS3H7 U-12MS3H7 U-12MS3H7	U-38MS3H7E U-10MS3H7 U-12MS3H7 U-16MS3H7	U-40MS3H7E U-12MS3H7 U-12MS3H7 U-16MS3H7	U-42MS3H7E U-10MS3H7 U-16MS3H7 U-16MS3H7	U-44MS3H7E U-12MS3H7 U-16MS3H7 U-16MS3H7	U-46MS3H7E U-14MS3H7 U-16MS3H7 U-16MS3H7	U-48MS3H7E U-16MS3H7 U-16MS3H7 U-16MS3H7	U-50MS3H7E U-10MS3H7 U-12MS3H7 U-12MS3H7	U-52MS3H7E U-12MS3H7 U-12MS3H7 U-16MS3H7			
Power supply		380/400/415V/3-phase/50Hz 380/400V/3-phase/60Hz																
Capacity	Cooling	kW		73.0	78.5	85.0	90.0	96.0	101.0	107.0	113.0	118.0	124.0	130.0	135.0	140.0	145.0	
		BTU/h		249,100	267,900	290,100	307,200	327,600	344,700	365,200	385,700	402,700	423,200	443,700	460,800	477,800	494,900	
EER / COP	Cooling	W/W		4.42	4.11	4.31	4.13	4.30	4.09	4.31	4.09	4.31	4.11	4.25	4.13	4.27	4.12	
Dimensions	H x W x D	mm		1,842 x 2,010 x 1,000	1,842 x 2,010 x 1,000	1,842 x 2,420 x 1,000	1,842 x 2,420 x 1,000	1,842 x 2,430 x 1,000	1,842 x 2,430 x 1,000	1,842 x 2,840 x 1,000	1,842 x 2,840 x 1,000	1,842 x 3,250 x 1,000	1,842 x 3,250 x 1,000	1,842 x 3,660 x 1,000	1,842 x 3,660 x 1,000	1,842 x 3,670 x 1,000	1,842 x 3,670 x 1,000	
Net weight		kg		523	523	626	626	630	630	733	733	836	836	939	939	943	943	
Electrical ratings	Cooling	Running current	A		28.2 / 26.8 / 25.8	32.2 / 30.6 / 29.5	33.6 / 31.9 / 30.8	36.8 / 35.0 / 33.7	37.6 / 35.8 / 34.5	41.2 / 39.2 / 37.8	41.9 / 39.8 / 38.3	46.1 / 43.8 / 42.2	46.3 / 43.9 / 42.4	51.0 / 48.4 / 46.7	52.2 / 49.6 / 47.8	55.2 / 52.4 / 50.5	55.4 / 52.6 / 50.7	58.8 / 55.8 / 53.8
		Power input	kW		16.5	19.1	19.7	21.8	22.3	24.7	24.8	27.6	27.4	30.2	30.6	32.7	32.8	35.2
Starting current		A		3	3	4	4	3	3	4	4	5	5	6	6	5	5	
Air flow rate		m <sup>3</sup> /h		27,360	27,360	27,840	27,840	40,320	40,320	40,800	40,800	41,280	41,280	41,760	41,760	54,240	54,240	
		L/s		7,600	7,600	7,733	7,733	11,200	11,200	11,333	11,333	11,467	11,467	11,600	11,600	15,067	15,067	
Refrigerant amount at shipment		kg		13.9	13.9	16.6	16.6	16.8	16.8	19.5	19.5	22.2	22.2	24.9	24.9	25.1	25.1	
External static pressure		Pa		80	80	80	80	80	80	80	80	80	80	80	80	80	80	
Piping connections	Gas pipe	mm (inches)		Ø34.92 (Ø1-3/8)	Ø34.92 (Ø1-3/8)	Ø34.92 (Ø1-3/8)	Ø34.92 (Ø1-3/8)	Ø34.92 (Ø1-3/8)	Ø41.28 (Ø1-5/8)	Ø41.28 (Ø1-5/8)	Ø41.28 (Ø1-5/8)	Ø41.28 (Ø1-5/8)	Ø41.28 (Ø1-5/8)	Ø41.28 (Ø1-5/8)	Ø41.28 (Ø1-5/8)	Ø41.28 (Ø1-5/8)	Ø41.28 (Ø1-5/8)	
	Liquid pipe	mm (inches)		Ø19.05 (Ø3/4)	Ø19.05 (Ø3/4)	Ø19.05 (Ø3/4)	Ø19.05 (Ø3/4)	Ø19.05 (Ø3/4)	Ø19.05 (Ø3/4)	Ø19.05 (Ø3/4)	Ø19.05 (Ø3/4)	Ø19.05 (Ø3/4)	Ø19.05 (Ø3/4)	Ø19.05 (Ø3/4)	Ø19.05 (Ø3/4)	Ø19.05 (Ø3/4)	Ø19.05 (Ø3/4)	
	Balance pipe	mm (inches)		Ø6.35 (Ø1/4)	Ø6.35 (Ø1/4)	Ø6.35 (Ø1/4)	Ø6.35 (Ø1/4)	Ø6.35 (Ø1/4)	Ø6.35 (Ø1/4)	Ø6.35 (Ø1/4)	Ø6.35 (Ø1/4)	Ø6.35 (Ø1/4)	Ø6.35 (Ø1/4)	Ø6.35 (Ø1/4)	Ø6.35 (Ø1/4)	Ø6.35 (Ø1/4)	Ø6.35 (Ø1/4)	
Ambient temperature operating range		Cooling: 10°C (DB)~ +52°C (DB)																
Sound pressure level	Normal mode	dB (A)		62.0	63.0	63.0	64.0	63.0	64.0	64.0	65.0	65.0	65.0	66.0	65.0	66.0	66.0	
	Silent mode (2)	dB (A)		57.0	58.0	58.0	59.0	58.0	59.0	59.0	60.0	60.0	60.0	61.0	60.0	61.0		
Sound power level	Normal mode	dB		83.0	84.0	84.0	85.0	84.0	85.0	85.0	86.0	86.0	86.0	87.0	86.0	87.0		

Appearance									
HP		54	56	58	60	62	64		
Model name		U-10MS3H7 U-12MS3H7 U-16MS3H7 U-16MS3H7	U-12MS3H7 U-12MS3H7 U-16MS3H7 U-16MS3H7	U-10MS3H7 U-16MS3H7 U-16MS3H7 U-16MS3H7	U-12MS3H7 U-16MS3H7 U-16MS3H7 U-16MS3H7	U-14MS3H7 U-16MS3H7 U-16MS3H7 U-16MS3H7	U-16MS3H7 U-16MS3H7 U-16MS3H7 U-16MS3H7	U-16MS3H7 U-16MS3H7 U-16MS3H7 U-16MS3H7	
Power supply		380/400/415V/3-phase/50Hz 380/400V/3-phase/60Hz							
Capacity	Cooling	kW		151.0	156.0	162.0	174.0	180.0	
		BTU/h		515,400	532,400	552,900	573,400	593,900	
EER / COP	Cooling	W/W		4.27	4.13	4.27	4.13	4.23	
Dimensions	H x W x D	mm		1,842 x 4,080 x 1,000	1,842 x 4,080 x 1,000	1,842 x 4,490 x 1,000	1,842 x 4,490 x 1,000	1,842 x 4,900 x 1,000	
Net weight		kg		1,046	1,046	1,149	1,149	1,252	
Electrical ratings	Cooling	Running current	A		59.8 / 56.8 / 54.7	63.8 / 60.6 / 58.4	64.0 / 60.8 / 58.6	68.7 / 65.3 / 62.9	70.2 / 66.7 / 64.2
		Power input	kW		35.4	37.8	37.9	40.7	41.1
Starting current		A		6	6	7	7	8	
Air flow rate		m <sup>3</sup> /h		54,720	54,720	55,200	55,200	55,680	
		L/s		15,200	15,200	15,333	15,333	15,467	
Refrigerant amount at shipment		kg		27.8	27.8	30.5	30.5	33.2	
External static pressure		Pa		80	80	80	80	80	
Piping connections	Gas pipe	mm (inches)		Ø41.28 (Ø1-5/8)	Ø41.28 (Ø1-5/8)	Ø41.28 (Ø1-5/8)	Ø41.28 (Ø1-5/8)	Ø41.28 (Ø1-5/8)	
	Liquid pipe	mm (inches)		Ø19.05 (Ø3/4)	Ø19.05 (Ø3/4)	Ø19.05 (Ø3/4)	Ø19.05 (Ø3/4)	Ø19.05 (Ø3/4)	
	Balance pipe	mm (inches)		Ø6.35 (Ø1/4)	Ø6.35 (Ø1/4)	Ø6.35 (Ø1/4)	Ø6.35 (Ø1/4)	Ø6.35 (Ø1/4)	
Ambient temperature operating range		Cooling: 10°C (DB)~ +52°C (DB)							
Sound pressure level	Normal mode	dB (A)		66.0	66.0	67.0	66.0	67.0	
	Silent mode (2)	dB (A)		61.0	61.0	61.0	62.0	61.0	
Sound power level	Normal mode	dB		87.0	87.0	87.0	88.0	87.0	

GLOBALREMARKS

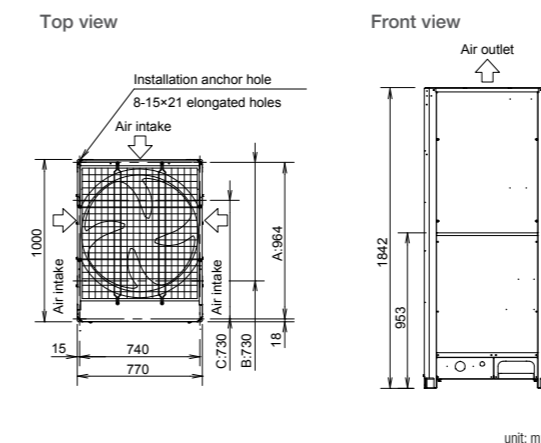
Rated conditions:	Cooling
Indoor air temperature	27°C DB / 19°C WB
Outdoor air temperature	35°C DB

These specifications are subject to change without notice.

## 8 / 10 / 12 HP

According to the installation site, you may choose the setting position in the depth direction of the anchor bolt from A, B or C.

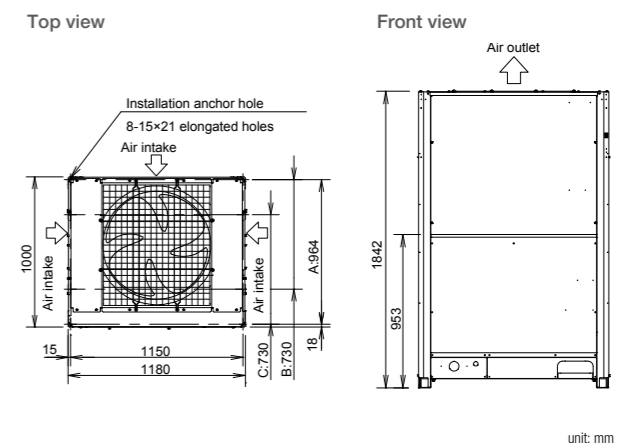
- A: (Installation hole pitch) For removing tube forward
- B: (Installation hole pitch) For removing the downward
- C: (Installation hole pitch)



## 14 / 16 HP

According to the installation site, you may choose the setting position in the depth direction of the anchor bolt from A, B or C.

- A: (Installation hole pitch) For removing tube forward
- B: (Installation hole pitch) For removing the downward
- C: (Installation hole pitch)



Cooling Only FSV-EX MS3 Series

SPACE SAVING COMBINATION MODEL

Appearance													
HP													
HP	8	10	12	14	16	18	20	22	24				
Model name	U-8MS3H7	U-10MS3H7	U-12MS3H7	U-14MS3H7	U-16MS3H7	U-18MS3H7	U-20MS3H7	U-22MS3H7	U-24MS3H7				
Power supply			380/400/415V/3-phase/50Hz 380/400V/3-phase/60Hz										
Capacity	Cooling	kW	22.4	28.0	33.5	40.0	45.0	50.0	56.0	61.5	68.0		
		BTU/h	76,500	95,600	114,300	136,500	153,600	170,600	191,100	209,900	232,100		
EER / COP	Cooling	W/W	5.30	5.03	4.10	4.56	4.13	3.68	3.76	3.60	3.42		
Dimensions	H x W x D	mm	1,842 x 770 x 1,000	1,842 x 770 x 1,000	1,842 x 770 x 1,000	1,842 x 1,180 x 1,000	1,842 x 1,180 x 1,000	1,842 x 1,180 x 1,000	1,842 x 1,540 x 1,000	1,842 x 1,540 x 1,000	1,842 x 1,540 x 1,000		
			Net weight	kg	210	210	210	313	313	313	366	366	366
Electrical ratings	Cooling	Running current	A			A			A				
		Power input	kW			kW			kW				
Starting current			A			A			A				
Air flow rate			m³/h			L/s			L/s				
Refrigerant amount at shipment			kg			kg			kg				
External static pressure			Pa			Pa			Pa				
Piping connections	Gas pipe		mm (inches)			mm (inches)			mm (inches)				
	Liquid pipe		mm (inches)			mm (inches)			mm (inches)				
	Balance pipe		mm (inches)			mm (inches)			mm (inches)				
Ambient temperature operating range			Cooling: 10°C (DB)~ +52°C (DB)										
Sound	Normal mode	dB (A)	53.0	56.0	59.0	58.0	61.0	59.0	62.0	62.0			
pressure level	Silent mode (2)	dB (A)	48.0	51.0	54.0	53.0	56.0	57.0	54.0	57.0			
Sound power level	Normal mode	dB	74.0	77.0	80.0	79.0	82.0	83.0	80.0	83.0			



Appearance																	
HP																	
HP	26	28	30	32	34	36	38	40	42	44	46	48					
Model name	U-26MS3H7SP	U-28MS3H7SP	U-30MS3H7SP	U-32MS3H7SP	U-34MS3H7SP	U-36MS3H7SP	U-38MS3H7SP	U-40MS3H7SP	U-42MS3H7SP	U-44MS3H7SP	U-46MS3H7SP	U-48MS3H7SP					
Power supply			380/400/415V/3-phase/50Hz 380/400V/3-phase/60Hz														
Capacity	Cooling	kW	73.0	78.5	85.0	90.0	96.0	101.0	107.0	113.0	118.0	124.0	130.0	135.0			
		BTU/h	249,100	267,900	290,100	307,200	327,600	344,700	365,200	385,700	402,700	423,200	443,700	460,800			
EER / COP	Cooling	W/W	4.03	4.05	3.79	3.75	3.76	3.63	3.78	3.67	3.52	3.56	3.49	3.44			
Dimensions	H x W x D	mm	1,842 x 2,010 x 1,000	1,842 x 2,010 x 1,000	1,842 x 2,010 x 1,000	1,842 x 2,370 x 1,000	1,842 x 2,370 x 1,000	1,842 x 2,370 x 1,000	1,842 x 2,780 x 1,000	1,842 x 2,780 x 1,000	1,842 x 2,780 x 1,000	1,842 x 2,780 x 1,000	1,842 x 3,140 x 1,000	1,842 x 3,140 x 1,000	1,842 x 3,140 x 1,000		
			Net weight	kg	523	523	523	576	576	576	679	679	679	732	732	732	
Electrical ratings	Cooling	Running current	A			A			A			A					
		Power input	kW			kW			kW			kW					
Starting current			A			A			A			A					
Air flow rate			m³/h			L/s			L/s			L/s					
Refrigerant amount at shipment			kg			kg			kg			kg					
External static pressure			Pa			Pa			Pa			Pa					
Piping connections	Gas pipe		mm (inches)			mm (inches)			mm (inches)			mm (inches)					
	Liquid pipe		mm (inches)			mm (inches)			mm (inches)			mm (inches)					
	Balance pipe		mm (inches)			mm (inches)			mm (inches)			mm (inches)					
Ambient temperature operating range			Cooling: 10°C (DB)~ +52°C (DB)														
Sound	Normal mode	dB (A)	63.0	63.0	64.0	63.0	63.0	64.0	63.0	65.0	65.0	64.0	65.0	65.0			
pressure level	Silent mode (2)	dB (A)	58.0	58.0	59.0	58.0	58.0	59.0	58.0	60.0	60.0	59.0	60.0	60.0			
Sound power level	Normal mode	dB	84.0	84.0	85.0	84.0	84.0	85.0	84.0	86.0	86.0	85.0	86.0	86.0			

Appearance													
HP													
HP	50	52	54	56	58	60	62	64	66				
Model name	U-50MS3H7SP	U-52MS3H7SP	U-54MS3H7SP	U-56MS3H7SP	U-58MS3H7SP	U-60MS3H7SP	U-62MS3H7SP	U-64MS3H7SP	U-66MS3H7SP				
Power supply			380/400/415V/3-phase/50Hz 380/400/3-phase/60Hz										
Capacity	Cooling	kW	140.0	145.0	151.0	156.0	162.0	168.0	174.0	180.0	185.0		
		BTU/h	477,800	494,900	515,400	532,400	552,900	573,400	593,900	614,300	631,400		
EER / COP	Cooling	W/W	3.72	3.75	3.65	3.63	3.64	3.55	3.65	3.59	3.50		
Dimensions	H x W x D	mm	1,842 x 3,610 x 1,000	1,842 x 3,610 x 1,000	1,842 x 3,610 x 1,000	1,842 x 3,970 x 1,000	1,842 x 3,970 x 1,000	1,842 x 3,970 x 1,000	1,842 x 4,380 x 1,000	1,842 x 4,380 x 1,000	1,842 x 4,380 x 1,000		
			Net weight	kg	889	889	889	942	942	942	1,045	1,045	1,045
Electrical ratings	Cooling	Running current	A			A			A				
		Power input	kW			kW			kW				
Starting current			A			A			A				
Air flow rate			m³/h			L/s			L/s				
Refrigerant amount at shipment			kg			kg			kg				
External static pressure			Pa			Pa			Pa				
Piping connections	Gas pipe		mm (inches)			mm (inches)			mm (inches)				
	Liquid pipe		mm (inches)			mm (inches)			mm (inches)				
	Balance pipe		mm (inches)			mm (inches)			mm (inches)				
Ambient temperature operating range			Cooling: 10°C (DB)~ +52°C (DB)										
Sound	Normal mode	dB (A)	65.0	66.0	66.0	65.0	66.0	66.0	66.0	66.0	67.0		
pressure level	Silent mode (2)	dB (A)	60.0	61.0	61.0	60.0	61.0	61.0	61.0	61.0	62.0		
Sound power level	Normal mode	dB	86.0	87.0	87.0	86.0	87.0	87.0	87.0	87.0	88.0		

Appearance																	
HP																	
HP	68	70	72	74	76	78	80	82	84	86	88	90					
Model name	U-68MS3H7SP	U-70MS3H7SP	U-72MS3H7SP	U-74MS3H7SP	U-76MS3H7SP	U-78MS3H7SP	U-80MS3H7SP	U-82MS3H7SP	U-84MS3H7SP	U-86MS3H7SP	U-88MS3H7SP	U-90MS3H7SP					
Power supply			380/400/415V/3-phase/50Hz 380/400/3-phase/60Hz														
Capacity	Cooling	kW	190.0	196.0	202.0	208.0	213.0	219.0	224.0	232.0	238.0	244.0	249.0	254.0			
		BTU/h	648,500	668,900	689,400	709,900	727,000	747,400	764,500	791,800	812,300	832,800	849,800	866,900			
EER / COP	Cooling	W/W	3.53	3.49	3.44	3.62	3.64	3.57	3.56	3.56	3.50	3.57	3.53	3.47			
Dimensions	H x W x D	mm	1,842 x 4,740 x 1,000	1,842 x 4,740 x 1,000	1,842 x 4,740 x 1,000	1,842 x 5,210 x 1,000	1,842 x 5,210 x 1,000	1,842 x 5,210 x 1,000	1,842 x 5,210 x 1,000	1,842 x 5,570 x 1,000	1,842 x 5,570 x 1,000	1,842 x 5,570 x 1,000	1,842 x 5,980 x 1,000	1,842 x 5,980 x 1,000	1,842 x 5,980 x 1,000		
			Net weight	kg	1,098	1,098	1,098	1,255	1,255	1,255	1,308	1,308	1,308	1,411	1,411	1,411	
Electrical ratings	Cooling	Running current	A			A			A			A					
		Power input	kW			kW			kW			kW					
Starting current			A			A			A			A					
Air flow rate			m³/h			L/s			L/s			L/s					
Refrigerant amount at shipment			kg			kg			kg			kg					
External static pressure			Pa			Pa			Pa			Pa					
Piping connections	Gas pipe		mm (inches)			mm (inches)			mm (inches)			mm (inches)					
	Liquid pipe		mm (inches)			mm (inches)			mm (inches)			mm (inches)					
	Balance pipe		mm (inches)			mm (inches)			mm (inches)			mm (inches)					
Ambient temperature operating range			Cooling: 10°C (DB)~ +52°C (DB)														
Sound	Normal mode	dB (A)	66.0	67.0	67.0	67.0	67.0	67.0	67.0	67.0	67.0	68.0	68.0				
pressure level	Silent mode (2)	dB (A)	61.0	62.0	62.0	62.0	62.0	62.0	62.0	62.0	62.0	63.0	63.0				
Sound power level	Normal mode	dB	87.0	88.0	88.0	88.0	88.0	88.0	88.0	88.0	88.0	89.0	89.0				

### Cooling Only FSV-EX MS3 Series

### SPACE SAVING COMBINATION MODEL



Appearance						
HP		92	94	96		
		U-92MS3H7SP	U-94MS3H7SP	U-96MS3H7SP		
Model name		U-20MS3H7	U-22MS3H7	U-24MS3H7		
		U-24MS3H7	U-24MS3H7	U-24MS3H7		
		U-24MS3H7	U-24MS3H7	U-24MS3H7		
		U-24MS3H7	U-24MS3H7	U-24MS3H7		
Power supply		380/400/415V/3-phase/50Hz 380/400/3-phase/60Hz				
Capacity	Cooling	kW	260.0	266.0	272.0	
		BTU/h	887,400	907,800	928,300	
EER / COP	Cooling	W/W	3.49	3.45	3.42	
Dimensions	H x W x D	mm	1,842 x 6,340 x 1,000	1,842 x 6,340 x 1,000	1,842 x 6,340 x 1,000	
Net weight		kg	1,464	1,464	1,464	
Electrical ratings	Cooling	Running current	A	123.0 / 116.9 / 112.7	127.2 / 120.8 / 116.4	131.3 / 124.7 / 120.2
		Power input	kW	74.5	77.0	79.5
Starting current			A	8	8	8
Air flow rate			m <sup>3</sup> /h	97,200	97,200	97,200
			L/s	27,000	27,000	27,000
Refrigerant amount at shipment			kg	38.0	38.0	38.0
External static pressure			Pa	80	80	80
Piping connections	Gas pipe	mm (inches)	Ø53.98 (Ø2-1/8)	Ø53.98 (Ø2-1/8)	Ø53.98 (Ø2-1/8)	
	Liquid pipe	mm (inches)	Ø22.22 (Ø7/8)	Ø22.22 (Ø7/8)	Ø22.22 (Ø7/8)	
	Balance pipe	mm (inches)	Ø6.35 (Ø1/4)	Ø6.35 (Ø1/4)	Ø6.35 (Ø1/4)	
Ambient temperature operating range		Cooling: 10°C (DB)- +52°C (DB)				
Sound pressure level	Normal mode	dB (A)	67.0	68.0	68.0	
	Silent mode (2)	dB (A)	62.0	63.0	63.0	
Sound power level	Normal mode	dB	88.0	89.0	89.0	

GLOBALREMARKS

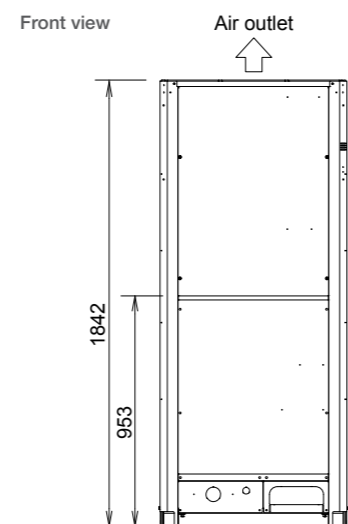
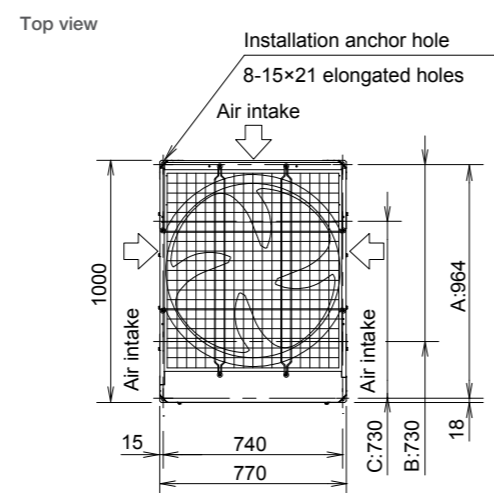
Rated conditions:	Cooling
Indoor air temperature	27°C DB / 19°C WB
Outdoor air temperature	35°C DB

These specifications are subject to change without notice.

#### 8 / 10 / 12 HP

According to the installation site, you may choose the setting position in the depth direction of the anchor bolt from A, B or C.

- A: (Installation hole pitch) For removing tube forward
- B: (Installation hole pitch) For removing the downward
- C: (Installation hole pitch)

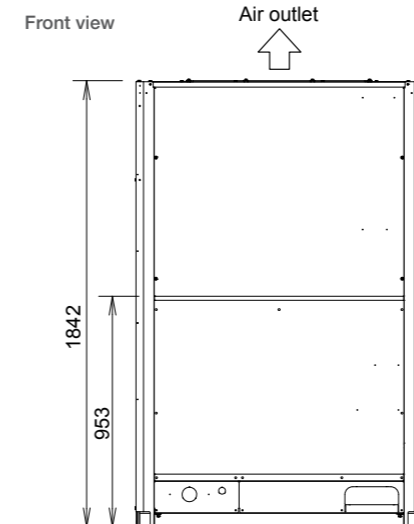
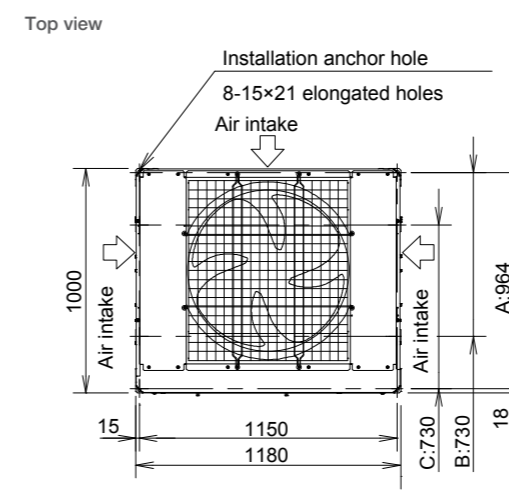


unit: mm

#### 14 / 16 / 18 HP

According to the installation site, you may choose the setting position in the depth direction of the anchor bolt from A, B or C.

- A: (Installation hole pitch) For removing tube forward
- B: (Installation hole pitch) For removing the downward
- C: (Installation hole pitch)

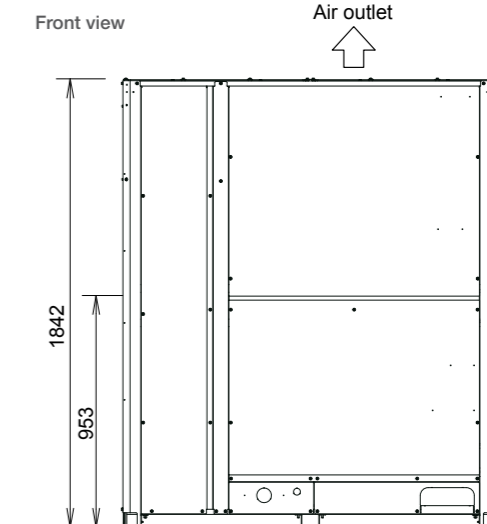
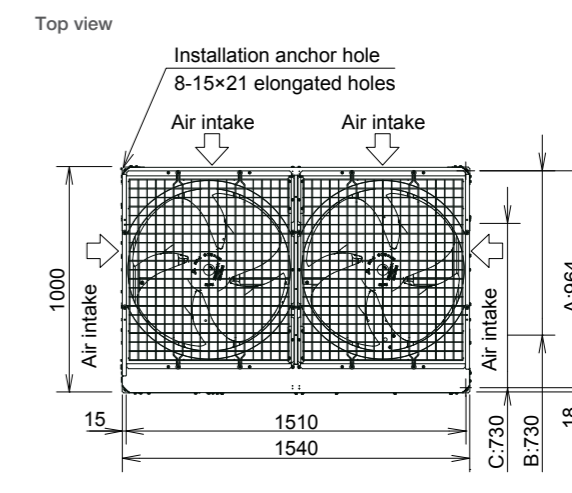


unit: mm

#### 20 / 22 / 24 HP

According to the installation site, you may choose the setting position in the depth direction of the anchor bolt from A, B or C.

- A: (Installation hole pitch) For removing tube forward
- B: (Installation hole pitch) For removing the downward
- C: (Installation hole pitch)



unit: mm