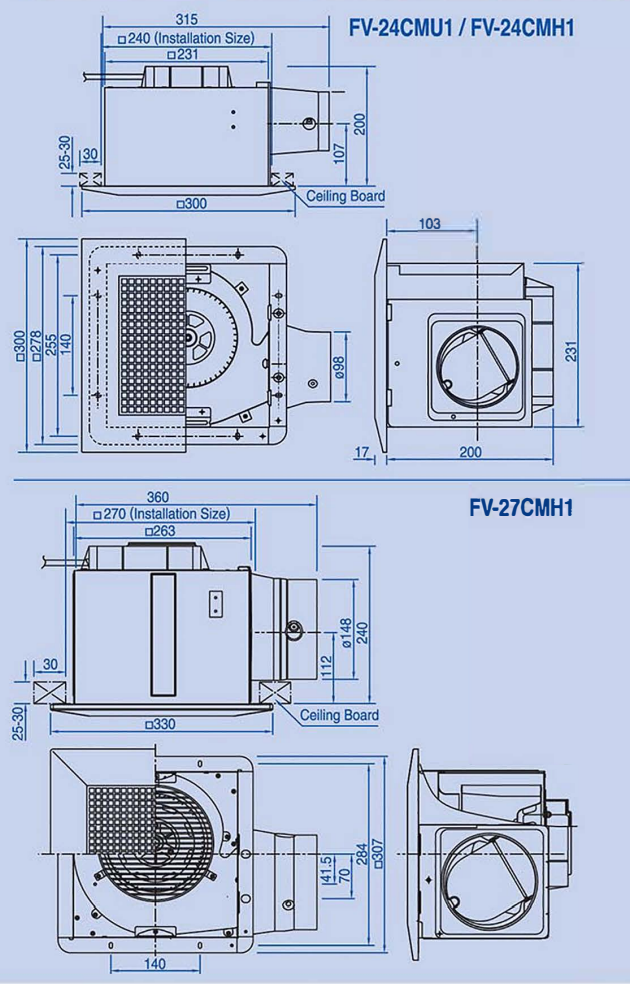
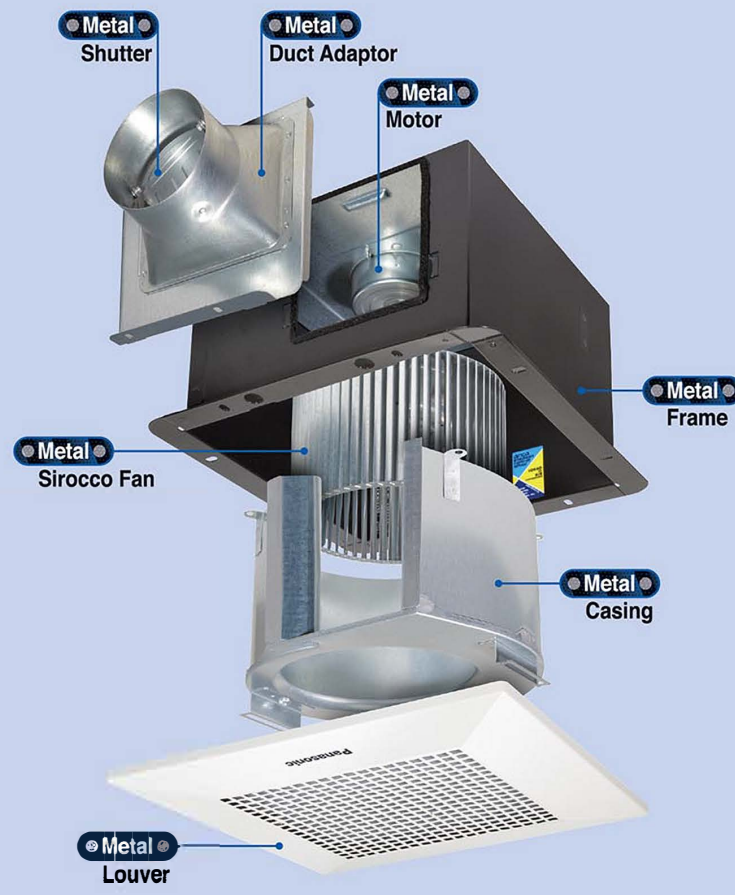
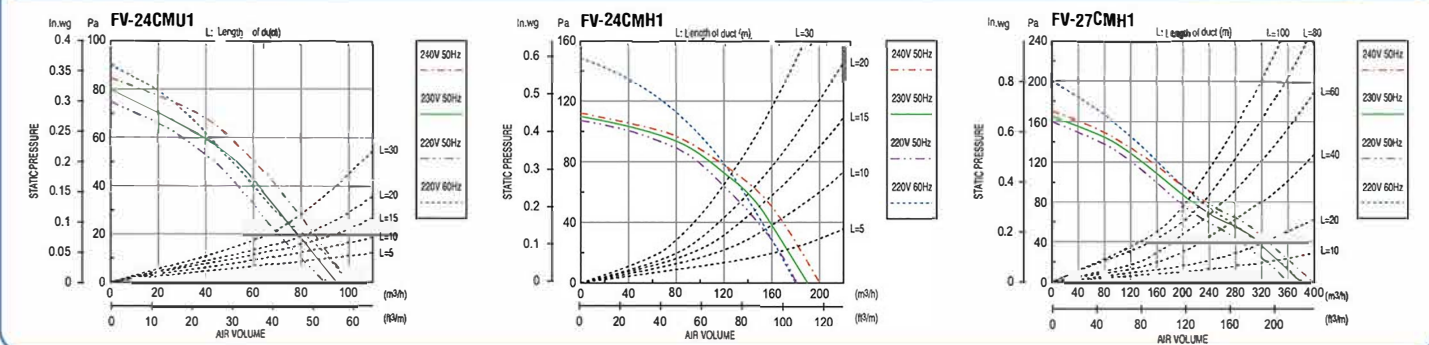


Dimension (Unit : mm)



Performance Curve



Specification

| Model No. | Voltage |      | Air Volume          |                      | Consumption [W] | RPM [min <sup>-1</sup> ] | Noise [dB(A)] | Weight [kg] | Installation Size [mm] | Duct Size [mm] |
|-----------|---------|------|---------------------|----------------------|-----------------|--------------------------|---------------|-------------|------------------------|----------------|
|           | [V]     | [Hz] | [m <sup>3</sup> /h] | [ft <sup>3</sup> /m] |                 |                          |               |             |                        |                |
| FV-24CMU1 | 220     | 50   | 90                  | 53                   | 11              | 460                      | 25            | 3.9         | 240 x 240              | ø100           |
|           |         | 60   | 100                 | 59                   | 12              | 495                      | 26            |             |                        |                |
|           | 230     | 50   | 95                  | 56                   | 12              | 495                      | 25.5          |             |                        |                |
| FV-24CMH1 | 220     | 50   | 180                 | 106                  | 20              | 700                      | 37            | 3.9         | 240 x 240              | ø100           |
|           |         | 60   | 180                 | 106                  | 23              | 700                      | 37            |             |                        |                |
|           | 230     | 50   | 190                 | 112                  | 22              | 730                      | 37.5          |             |                        |                |
| FV-27CMH1 | 220     | 50   | 360                 | 212                  | 35              | 590                      | 37            | 5.9         | 270 x 270              | ø150           |
|           |         | 60   | 380                 | 224                  | 43              | 610                      | 37.5          |             |                        |                |
|           | 230     | 50   | 380                 | 224                  | 38              | 610                      | 37.5          |             |                        |                |
|           | 240     | 50   | 400                 | 235                  | 43              | 630                      | 38            |             |                        |                |

**Panasonic**

Panasonic Eco Solutions Middle East & Africa  
 Division of Panasonic Marketing Middle East & Africa FZE  
 P.O Box 17985, Dubai, U.A.E Tel:+971 8007262 | customercare@ae.panasonic.com | www.panasonic.com

