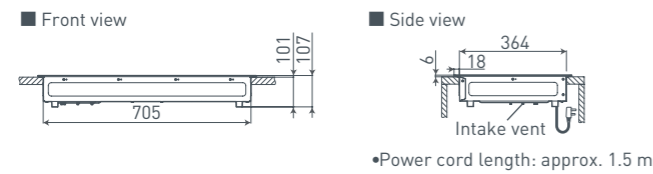
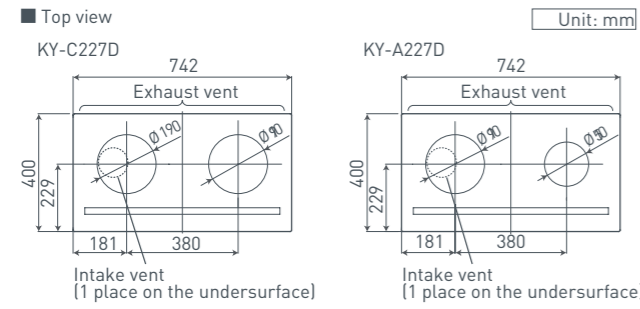


Hob - 2 Burners

Use a heat resistant material for the countertop. However, do not use a varnished material as they may get discoloured.

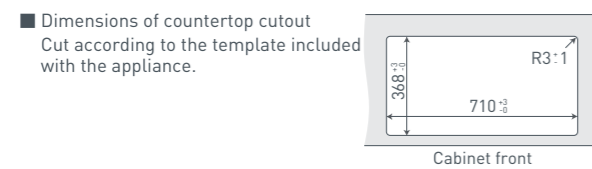
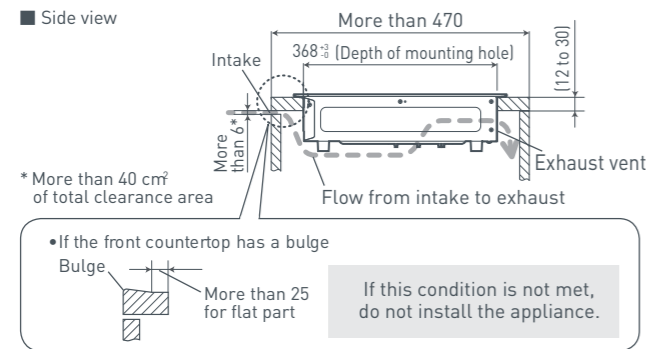
The material of the countertop should have heat resistance equal to or higher than the heat resistance of "laminated thermosetting high-pressure decorative sheets". If the materials are not heat resistant, they may get deformed or cause a fire.

Dimensions

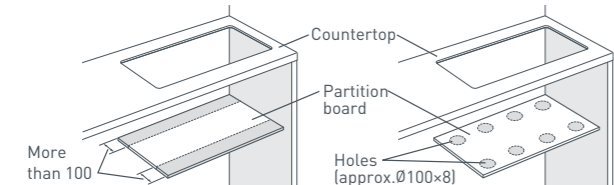


Related Dimensions (Built-in)

Secure clearance for ventilation in the cabinet. (unit: mm)



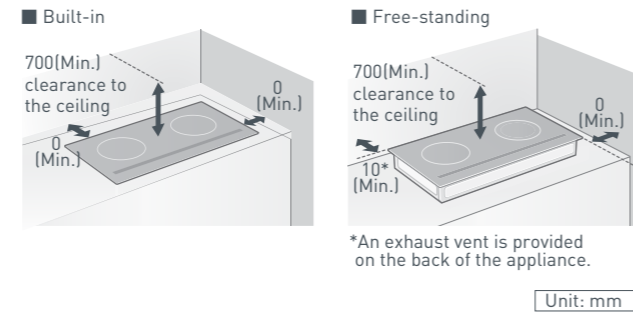
If a partition board without an intake part has been set
Cut both ends of the partition board or make holes using a holesaw.



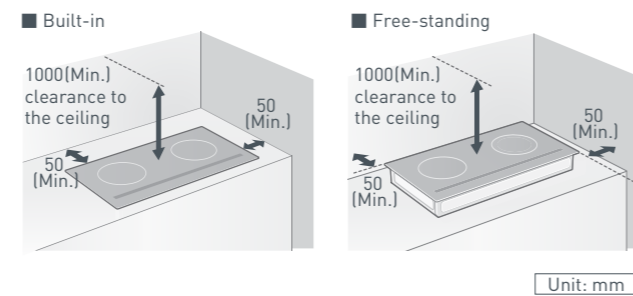
Installation Location

Observe related laws for installation.

For incombustible wall and ceiling (metal, tile, brick, etc.)
Including heat-insulating board made of metal, the, brick, etc.



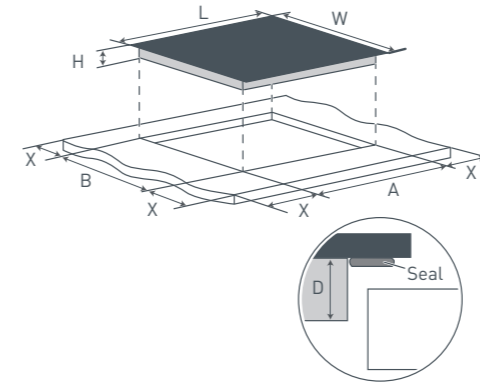
For combustible wall and ceiling



Hob - 4 Burners

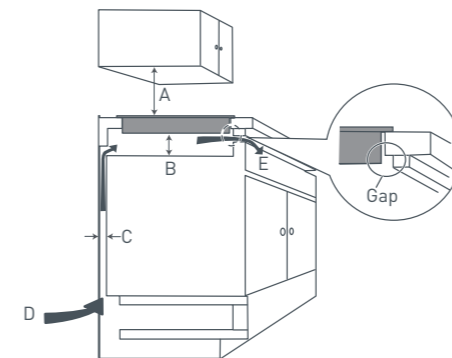
Installation Requirements

Cut out the work surface according to the sizes shown in the drawing. For the purpose of installation and use, a minimum of 5 cm space shall be preserved around the hole. Be sure the thickness of the work surface is at least 30mm. Please select heat-resistant work surface material to avoid larger deformation caused by the heat radiation from the hotplate. As shown below:



	L (mm)	W (mm)	H (mm)	D (mm)	A (mm)	B (mm)	X (mm)
KY-R645EL	590	520	60	56	568±2	492 ± 2	50 (Min.)
KY-R645RL	590	520	51.5	47	568±2	492 ± 2	50 (Min.)

Under any circumstances, make sure the Induction Hob is well ventilated and the air inlet and outlet are not blocked. Ensure the induction cooker hob is in good working state, as shown below.



Note:
The safety distance between the hotplate and the cupboard above the hotplate should be at least 760 mm.

A (mm)	B (mm)	C (mm)	D	E
760	50 (Min.)	20 (Min.)	Air Intake	Air Exit 5 mm

Before you install the hob, make sure that:

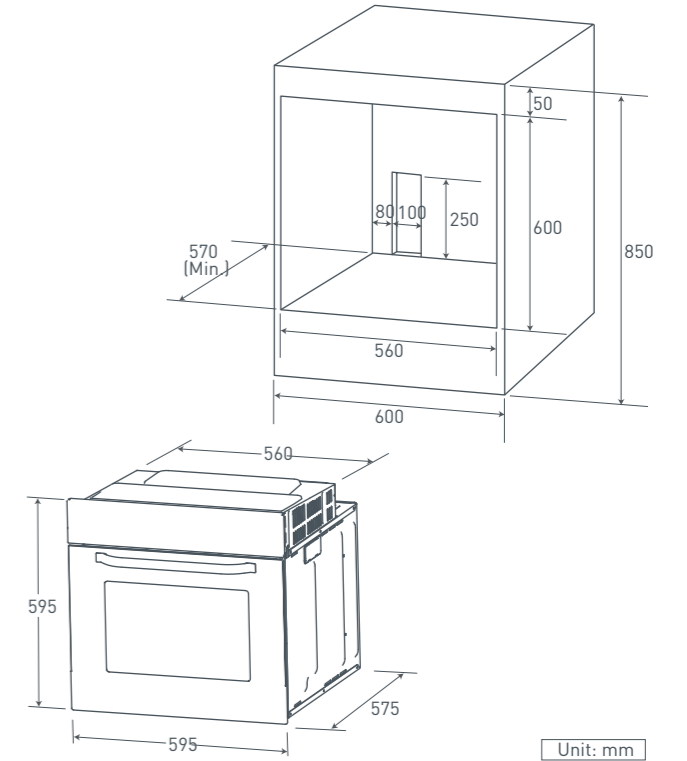
- The work surface is square and level, and no structural members interfere with space requirements.
- The work surface is made of a heat-resistant material.
- If the hob is installed above an oven, the oven has a built-in cooling fan.
- The installation will comply with all clearance requirements and applicable standards and regulations.
- A suitable isolating switch providing full disconnection from the main power supply is incorporated in the permanent wiring, mounted and positioned to comply with the local wiring rules and regulations. The isolating switch must be an approved type and must provide a 3 mm air gap contact separation in all poles (or in all active [phase] conductors if the local wiring rules allow for this variation of the requirements).

Oven

Installation Requirements

Positioning the oven

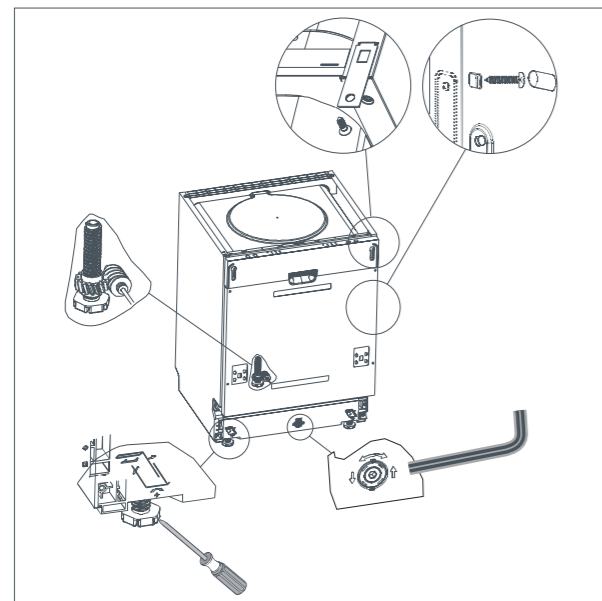
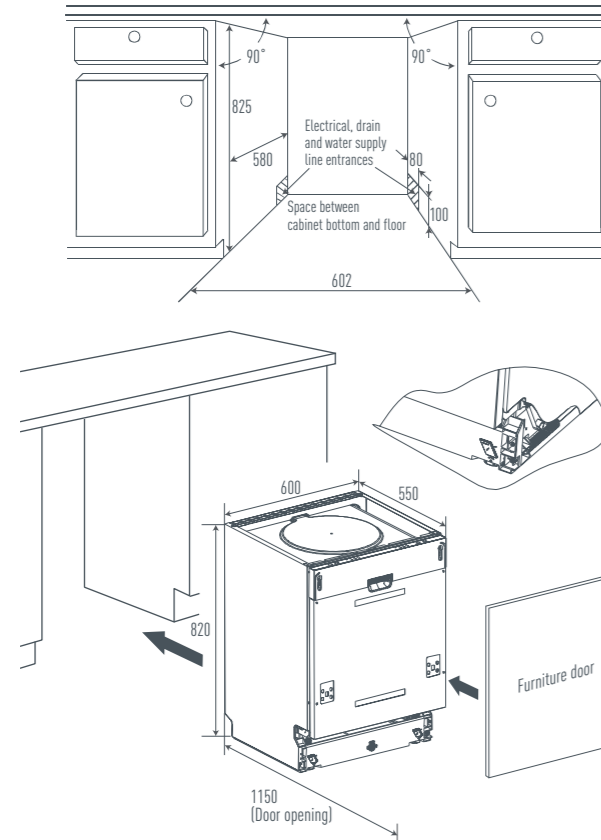
Note:
The oven is designed for mounting into any piece of furniture as long as it is heat resistant. The figure below shows the general dimensions of the appliance.



Dishwasher

Installation Requirements

NP-6X1FFQ



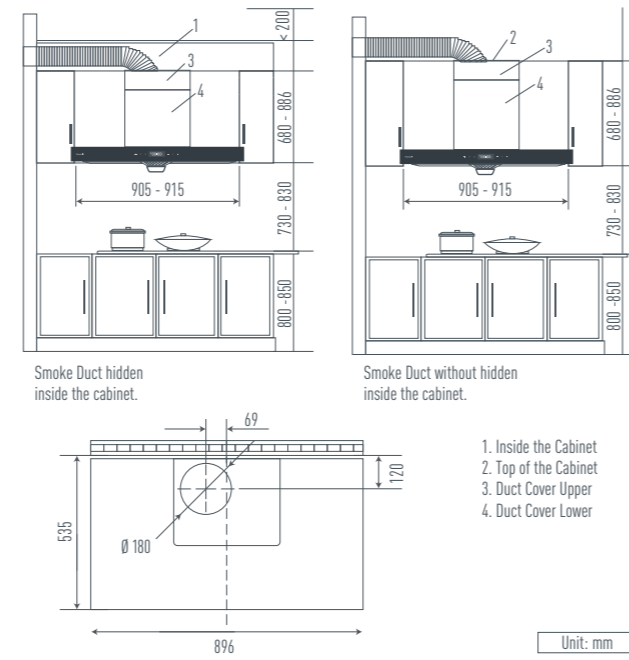
Unit: mm

Range Hood

Installation Requirements

The Range Hood must be installed at 650 mm-750 mm from cooktop as shown figure below.

FV-9HSDM1



FV-9HSUM1

