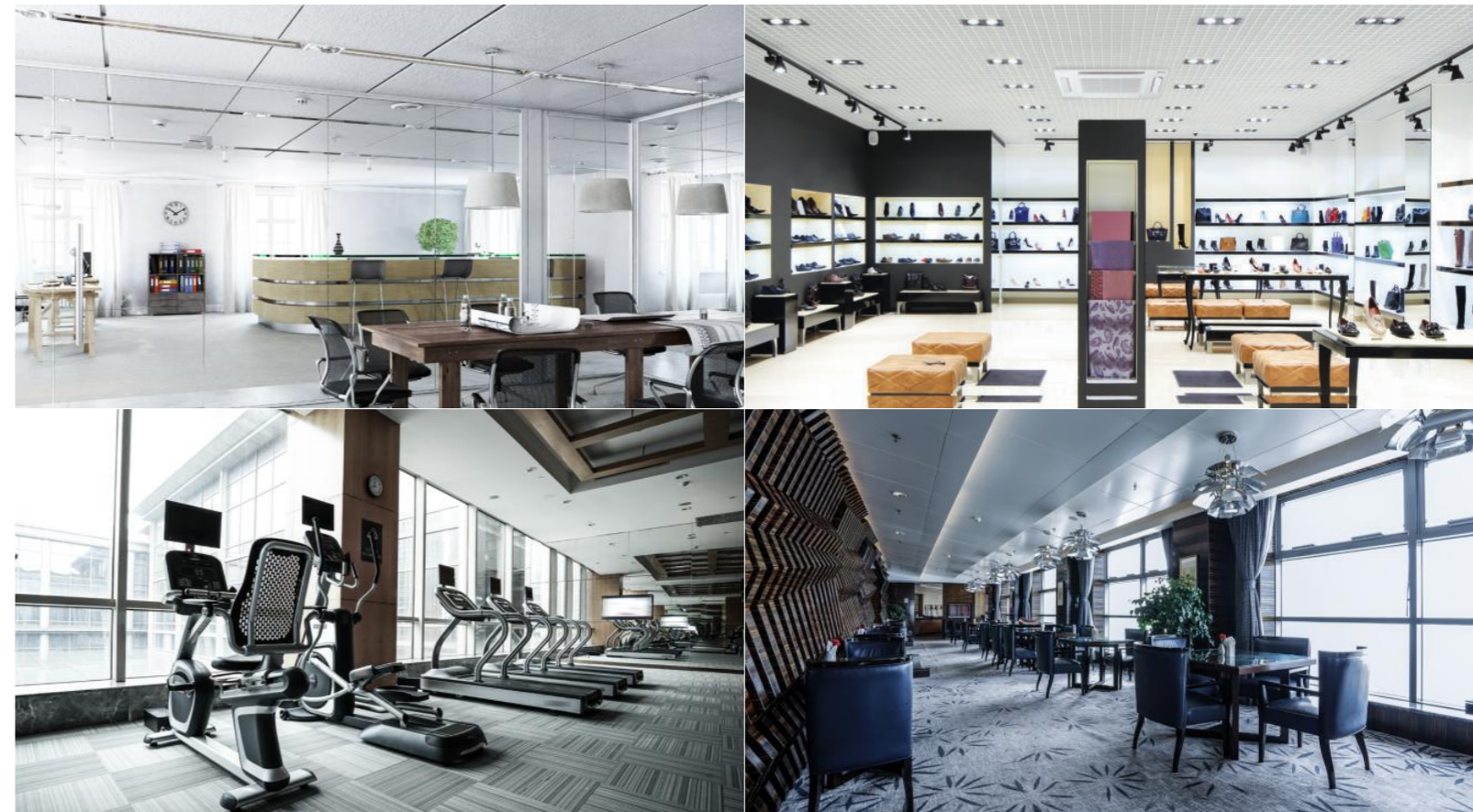


SINGLE-SPLIT PACKAGED
AIR CONDITIONERS
2018 / 2019

Panasonic
BUSINESS



**Building Passion,
Building Solutions.**
Panasonic Air Conditioning Systems

We face a time in which "quality air" differentiates business. It's a time for Panasonic to fully display its strengths. Our ability to assemble and build superior systems isn't just due to the rich resources we have as a comprehensive electronics manufacturer, but also to Panasonic's 100 years of tradition, where each person thinks and acts on their own initiative while working in a team to reach further heights. We do not compromise. Each of our independent selves is a one stop solution. We face our customers' challenges together with our customers and do all that we can to build effective systems. As a true partner for our customers, we strive to always be at the forefront of business.

- Please read the Installation Instructions carefully before installing the unit, and the Operating Instructions before using it.
- Specifications are subject to change without prior notice.
- The contents of this catalogue are accurate as of June 2018.
- Due to printing considerations, the actual colours may vary slightly from those shown.
- All graphics are provided merely for the purpose of illustrating a point.



Do not add or replace refrigerant other than the specified type. Manufacturer is not responsible for the damage and deterioration in safety due to usage of other refrigerant.

Authorised Dealer

PAC-NONINVERTER-MAL MAY 2018



Panasonic Appliances Air-Conditioning
System Engineering Malaysia (PAPASEMY)

Care Line: +603-7931 3442
Address: Lot 10, Jalan 13/2,
46200 Petaling Jaya,
Selangor Darul Ehsan.



Panasonic Global Air Conditioner

Global Site : aircon.panasonic.com
PROClub : panasonicproclub.global

 [airconpanasonicglobal](https://www.youtube.com/airconpanasonicglobal)

NON-INVERTER



QUALITY AIR FOR LIFE

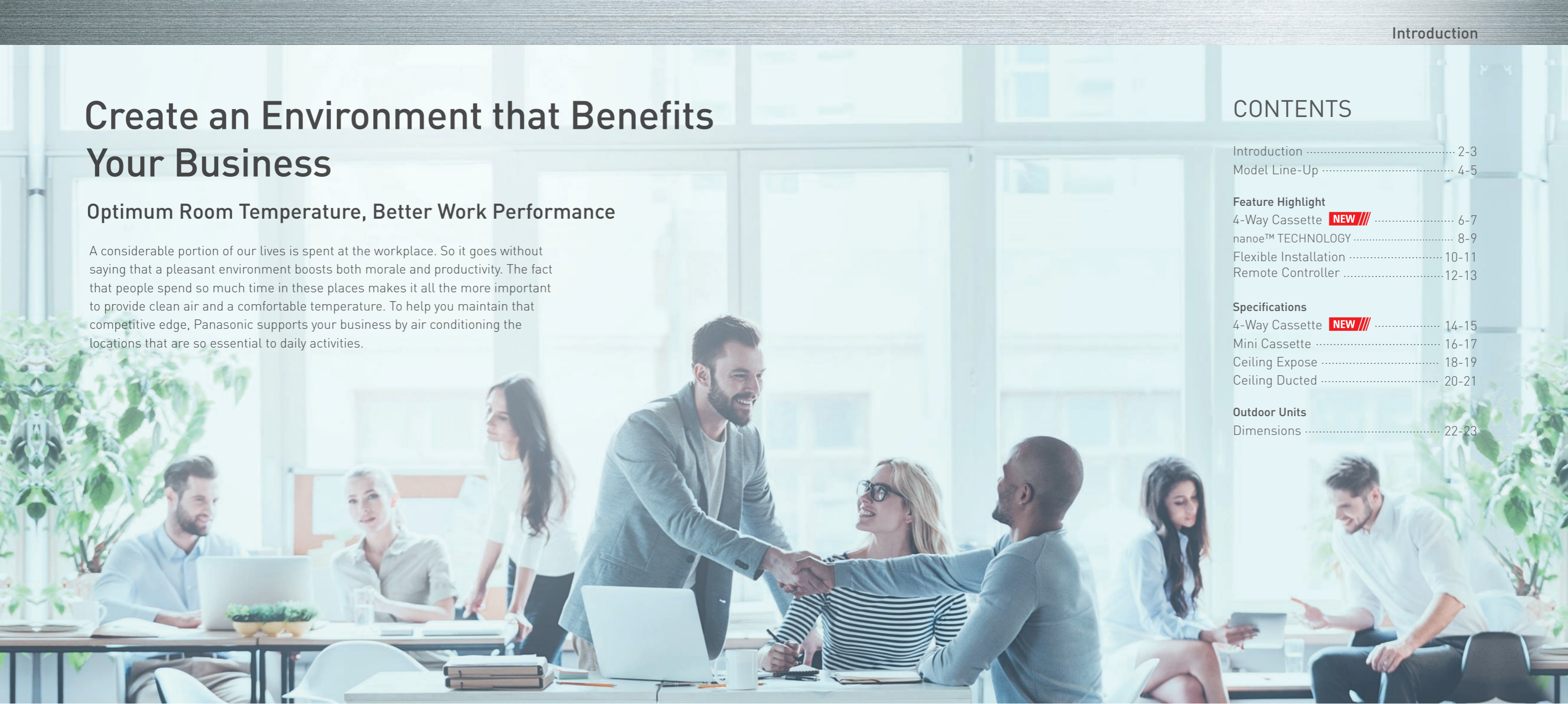
Create an Environment that Benefits Your Business

Optimum Room Temperature, Better Work Performance

A considerable portion of our lives is spent at the workplace. So it goes without saying that a pleasant environment boosts both morale and productivity. The fact that people spend so much time in these places makes it all the more important to provide clean air and a comfortable temperature. To help you maintain that competitive edge, Panasonic supports your business by air conditioning the locations that are so essential to daily activities.

CONTENTS

- Introduction 2-3
- Model Line-Up 4-5
- Feature Highlight**
- 4-Way Cassette **NEW** 6-7
- nanoe™ TECHNOLOGY 8-9
- Flexible Installation 10-11
- Remote Controller 12-13
- Specifications**
- 4-Way Cassette **NEW** 14-15
- Mini Cassette 16-17
- Ceiling Expose 18-19
- Ceiling Ducted 20-21
- Outdoor Units**
- Dimensions 22-23



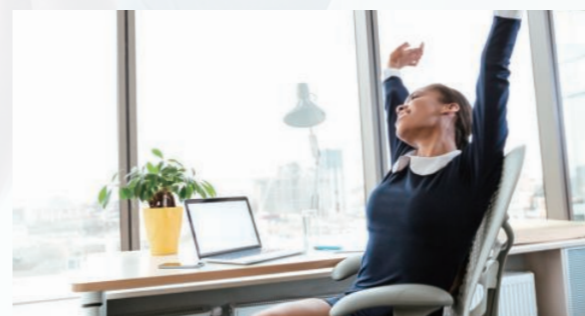
What's new

4-Way Cassette **NEW**



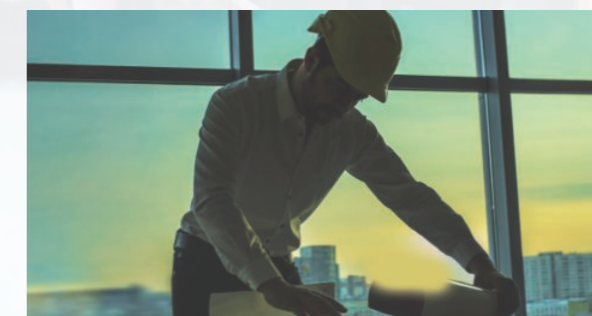
Provides a neat fit in the ceiling to match modern decor, and uniform cooling throughout the room, plus easy installation.

nanoe™ TECHNOLOGY **NEW**



nanoe™ X containing plenty of OH radicals that Inhibits bacteria and virus, deodorizes unpleasant odours and keeps room air clean and fresh.

Flexible Installation



Panasonic outdoor units are built to be compact with versatile piping and draining methods as well as side-by-side installation capabilities.

MODEL LINE-UP

PANASONIC PACKAGED AIR CONDITIONERS ARE THE IDEAL AIR CONDITIONING SOLUTIONS FOR OFFICES, EDUCATIONAL INSTITUTIONS, RESTAURANTS AND RETAIL STORES.

Panasonic provides high performance air conditioning systems that extend from homes to businesses. These products comply with stringent environmental requirements and advanced building standards in the modern commercial environment.

NEW

4-WAY CASSETTE



The 4-way direction airflow released through four vanes provides wide and even cooling.

MINI CASSETTE



Panasonic Mini Cassette types are compact in size and particularly suitable for small to medium-sized offices and restaurants.

CEILING EXPOSED



Providing outstanding energy-saving performance, comfort and long-distance air flow distribution, these units are perfect for retail stores and schools.

CEILING DUCTED



Offering remarkable overall cooling coverage of the entire building, Ducted types are suitable for premises with concealed or false ceilings such as business centres.

Capacity (Btu/h)	18,300-18,500	22,500-23,000	25,000	27,000-28,000	30,000	36,000-37,000	42,600	42,500-45,600	50,000	51,000-55,000
NEW 4-WAY CASSETTE Standard Equipped P.14-15	 S-18PU1H5A-1 	 S-22PU1H5A-1 	 S-25PU1H5A-1 	 S-28PU1H5A-1 	 S-30PU1H5A-1 	 S-34PU2H5-1 	 S-34PU2H5-1 	 S-43PU2H5-1 	 S-43PU2H5-1 	 S-48PU2H5-1
MINI CASSETTE P.16-17	 CS-PV18RB4H-1	 CS-PV24RB4H-1								
CEILING EXPOSED P.18-19		 S-22PT1H5-1		 S-28PT1H5-1		 S-35PT1H5-1		 S-45PT1H5-1		 S-55PT1H5-1
CEILING DUCTED P.20-21		 S-22PF1H5		 S-28PF1H5		 S-35PF1H5		 S-45PF1H5		 S-55PF1H5
NEW OUTDOOR UNITS P.22-23	 U-18PV1H5-1 for MINI CASSETTE CU-PV18RB4H-1	 U-22PV1H5-1 for MINI CASSETTE CU-PV24RB4H-1	 U-25PV1H5-1	 U-28PV1H5-1	 U-30PV1H5-1 U-30PV1H8-1*	 U-35PV1H8-1*	 U-40PV1H8-1*	 U-45PV1H8-1*	 U-50PV1H8-1*	 U-55PV1H8-1*

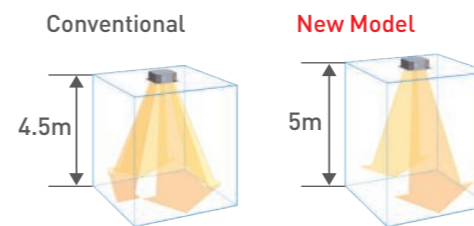
*3-Phase

4-Way Cassette **NEW**

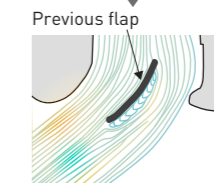
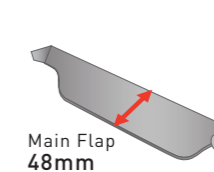
4-Way Cassette

Wide Flap

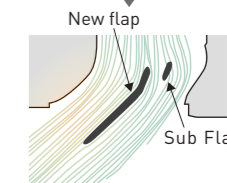
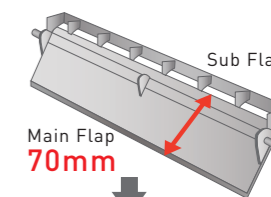
Adding a sub flap and widening the main flap have reduced turbulence and increased airflow. Also, the wider angle jetting port allows the airflow to reach as far as five meters.



Conventional



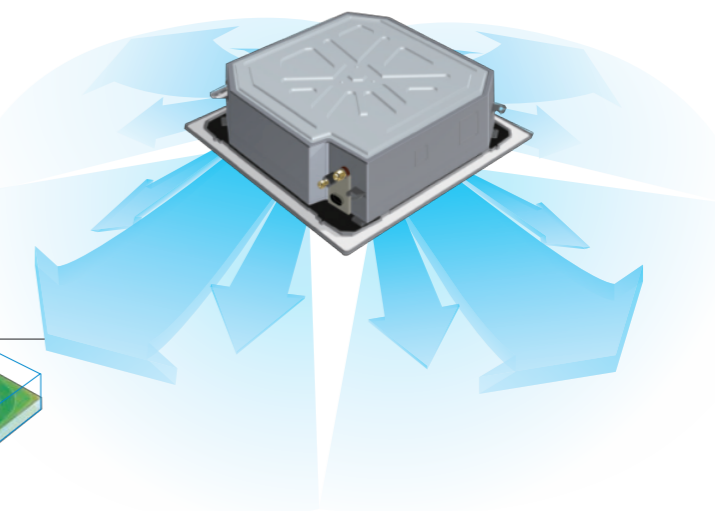
New Model



360° Wide & Comfortable Airflow

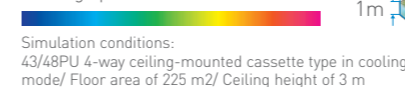
Air coming out of the centre of the discharge outlets travels farther. Air is discharged across a wide area from the four sides of the unit. The curves on the room temperature distribution graph expand gently out through 360° in a circle centred on the indoor unit.

Ample airflow: 36.4 m³/min
Industry's leading in the 43/48PU class.



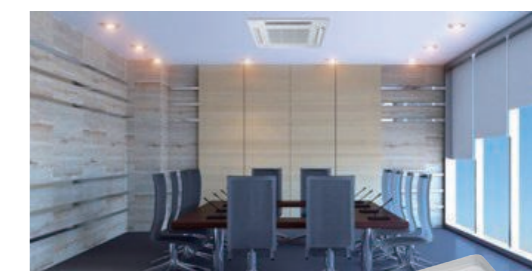
360° Wide

Temperature distribution by thermograph (cooling operation)



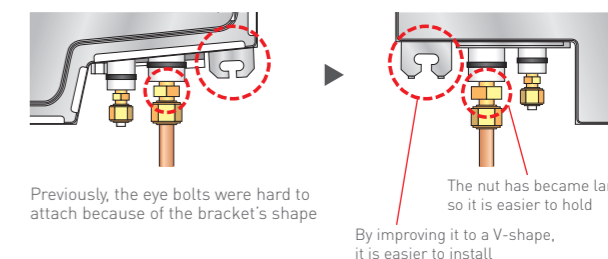
Flat Horizontal Design

Panasonic believes that one of the most important elements of design is that it doesn't interfere with the overall room interior. The flat horizontal design of the 4-way Cassette achieves an elegant, yet simple form. This design allows it to protrude only 33.5 mm from the ceiling, to blend naturally into a variety of interiors, including offices and restaurants.



Easy Installation Design

With conventional models, it was difficult to use tools without damaging the interior. This has been redesigned for easier installation.



Provides a neat fit in the ceiling to match modern decor, and uniform cooling throughout the room, plus easy installation.



Powerful Airflow

The Twisted 3D Blade Fan with compact design can increase airflow.





nanoe™ is Panasonic's unique air purifying technology. Introduced in 2003, nanoe™ has brought comfortable, clean air to a wide variety of living environments. By conducting further research & development, Panasonic has now succeeded in developing nanoe™ X, with dramatically increased performance.

nanoe™ X Improves Air Quality

Panasonic's unique nanoe™ X has an outstanding effect on various air pollutants, including allergens, viruses and bacteria, as well as cigarette and other household odors. It takes reliable air purification performance another step forward.



Deodorizes unpleasant odors*1 *2 *3



nanoe™ X works on the substances responsible for odors to deodorize them.

Inhibits bacteria and virus*4 *5 *6 *7 *8



nanoe™ X suppresses airborne particles including bacteria, viruses and mould.

*1 Adhering odor of cigarette [Effectiveness]: Decrease by 1.7 level [Testing Institute: Gunma Research Center [Test Report No.: No. 27055 [Result]: Decrease in odor intensity by 0.7 level after 2 hour of operation.
 *2 Floating odor of cigarette [Effectiveness]: Decrease by 0.8level [Test Lab Size]:136.5m3 [Testing Institute: Panasonic Corporation Product Analysis Center [Test Report No.: 4AA33-170117-A01 [Result]: Decrease in odor intensity by 0.8 level after 2 hour of operation.
 *3 Adhering odor of Meat Grilling [Effectiveness]: Decrease by 0.9 level [Test Lab Size]:67.7m3 [Testing Institute: Panasonic Corporation Product Analysis Center [Test Report No.: 4AA33-170203-A03 [Result]: Decrease in odor intensity by 0.9 level after 2 hour of operation.
 *4 Mould [Effectiveness]: Inhibit Mould Growth [Testing Institute: Japan Food Research Laboratories [Test Report No.: 13044083002-01 [Result]: The growth of the subject was inhibited after 8-hour nanoe™ operation.
 *5 Bacteria [Effectiveness]: 99% [Testing Institute: Kitasato Research Center for Environmental Science [Test Report No.: KRCE5-Env. Test Report 24_0301_1 [Result]: 99% of deactivation after 4-hour nanoe™ operation.
 *6 Bacteria [Effectiveness]: 99% [Testing Institute: Japan Food Research Laboratories [Test Report No.: 13044083002-01 [Result]: The growth of the subject was inhibited after 8-hour nanoe™ operation.
 *7 Viruses [Effectiveness]: 99% [Testing Institute: Kitasato Research Center for Environmental Science [Test Report No.: KRCE5-Env. Test Report 24_0300_1 [Result]: 99% of deactivation after 6-hour nanoe™ operation.
 *8 Viruses [Effectiveness]: 99% [Testing Institute: Japan Food Research Laboratories [Test Report No.: 13001265005-01 [Result]: 99% of deactivation after 8-hour nanoe™ operation.

nanoe™ X Mechanism

Amount of OH radicals increases without increasing amount of ozone, leading to improved effectiveness!

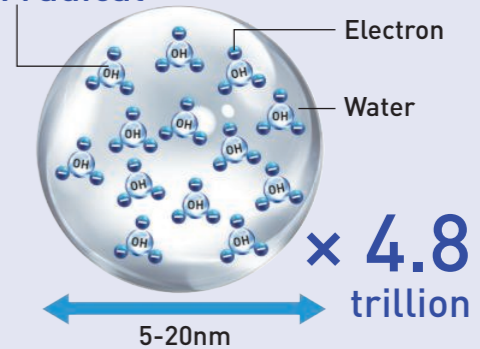
Generation Mechanism

nanoe™ X is generated from moisture in the air

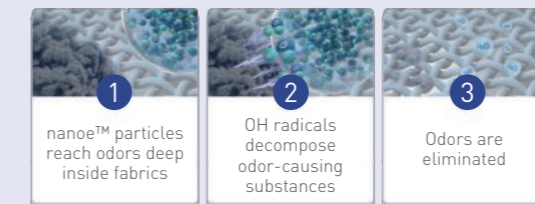


Structure

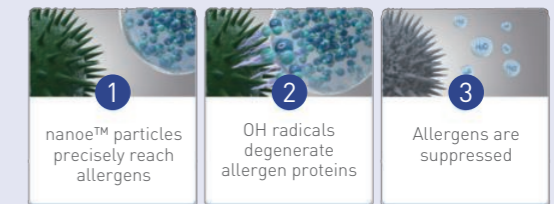
OH radical



How to Deodorize Odor*1 *2 *3



How to Inhibit Bacteria, Virus and Mold*4 *5 *6 *7 *8



Also Cleans the Air When Not Air Conditioning

You can also use nanoe™ X in Fan mode when you're not cooling or heating the room. For example, you can use nanoe™ X to effectively suppress bacteria and odors without using excessive electricity when the office is empty or after business hours in a restaurant.

Business Time



AC Mode + nanoe™ X

nanoe™ X purifies the room while maintaining the comfort temperature when people are in presence.

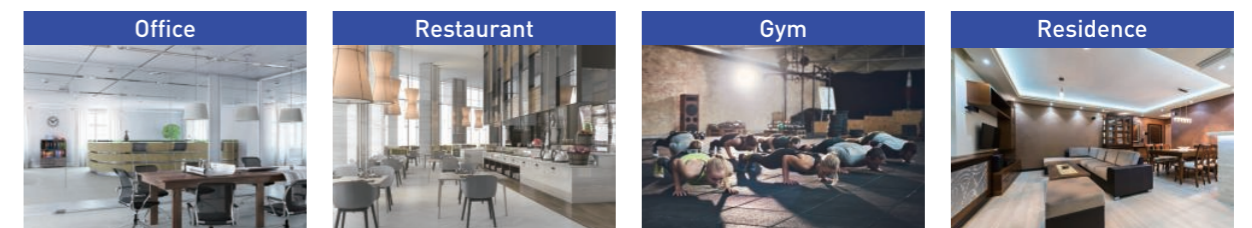
Closed Time



FAN Mode + nanoe™ X

After closing shops and facilities, nanoe™ X can perform air purification while they are not in use.

Case Examples of nanoe™



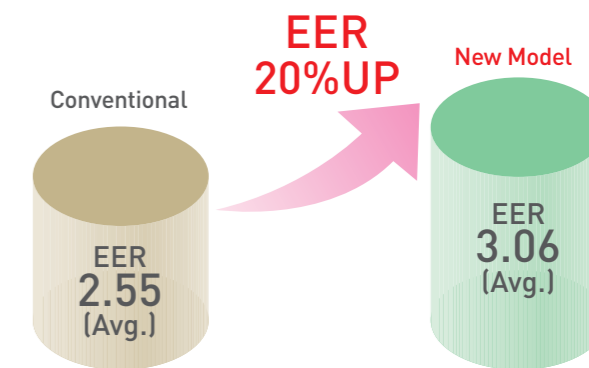
Flexible Installation

Flexible Installation

High Efficiency^(*)

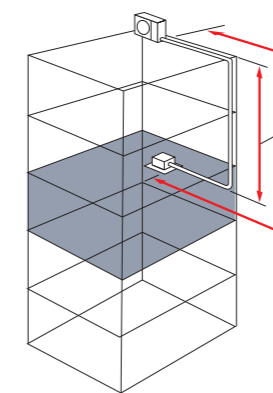
The performance of our previous 2-fan models is now achieved by 1-fan models. The Coefficient of Performance has been greatly improved to reduce power consumption.

^(*)For 4-Way Cassette.



Long Piping

Piping can be extended up to 30m without additional gas charging, and up to 50m with additional gas charging. By giving you more flexibility in positioning the outdoor unit, this gives you a wider range of installation options.



Max.^(*) 50m* Pipe length
Max.^(*) 30m Height difference

^(*)Supports for
U-35PV1H8-1
U-40PV1H8-1
U-45PV1H8-1
U-50PV1H8-1
U-55PV1H8-1

Refrigerant Charge less Up to 30m

No additional gas charging is needed up to 30m. Installation is easy and hassle-free.

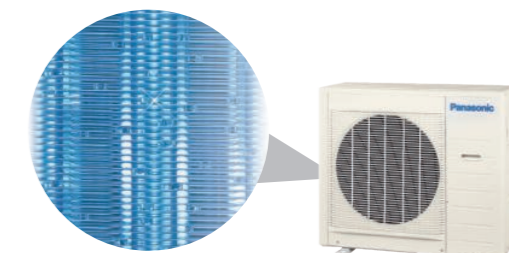
Piping length for 4-Way Cassette / Ceiling Exposed / Ceiling Ducted

	BTU 18.5-25k	28-30k	36-55k
Max. Pipe Length	30 m	45 m	50 m
Max. Chargeless Length #	7.5 m	7.5 m	30 m
Max. Height Difference	20 m	25 m	30 m

Additional gas is required when pipe length is extended.

High Durability Outdoor Unit

Corrosion-resistance treated for high resistance to rust and salty air to assure long-lasting performance.



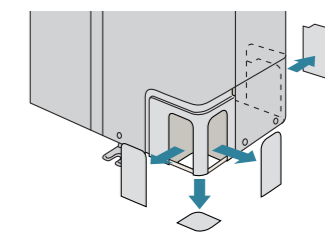
Blue Fin Condenser

Flexible 4-way Piping

Piping can be routed in any of four directions.

Flexible 4-Way piping

Supports for
U-35PV1H8-1
U-40PV1H8-1
U-45PV1H8-1
U-50PV1H8-1
U-55PV1H8-1



Easy Installation & Service Maintenance

The PCB inside the outdoor unit have been removed. It's easy installation and service maintenance.

Supports for
U-18PV1H5-1 U-28PV1H5-1
U-22PV1H5-1 U-30PV1H5-1
U-25PV1H5-1 U-30PV1H8-1



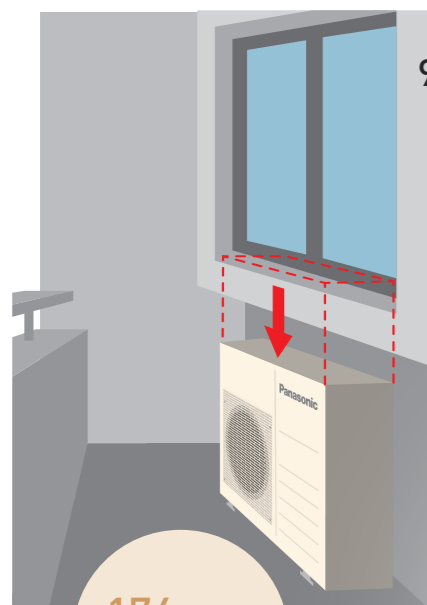
Space Saving Outdoor Unit

Panasonic's ingeniously designed outdoor units are compact in size to fit into any space and layout. Its smaller size makes it easy to install even in limited spaces. Flexibility in piping allows more freedom in installation leading to a reduced installation costs.

H1170 × W900 × D320

174 mm Shorter

Can be installed in the limited space



174 mm Shorter

996mm

980mm

370mm

U-35PV1H8-1
U-40PV1H8-1
U-45PV1H8-1
U-50PV1H8-1

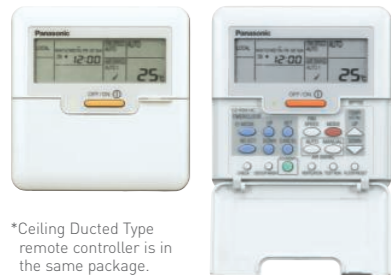
Precise Control, Easy Comfort

Panasonic Packaged Series Remote Controllers are designed with user comfort in mind. Multiple settings are available so airflow and air quality can be regulated according to preferences. Users can also opt for a wired remote controller equipped with high-performance timer.



Wired Remote Controller

CZ-RD513C
(For 4-Way Cassette Type and Ceiling Exposed Type)



*Ceiling Ducted Type remote controller is in the same package.

Wireless Remote Controller / Receiver

4-Way Cassette Type (Included)



CZ-RL013UH

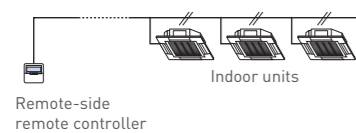
Ceiling Exposed Type (Optional)



CZ-RL013T

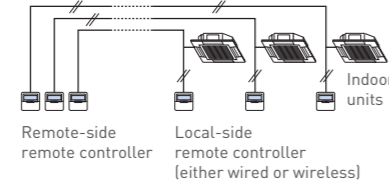
Settings can be regulated with 3 control options:

Group Control by a single remote controller



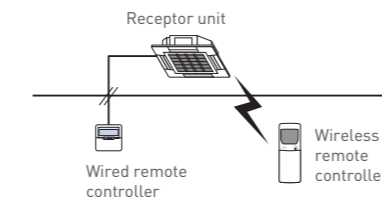
- All indoor units operate in the same mode.

Separate Control by Twin Remote Controllers



- Each indoor unit can be operated by either of the two remote controllers.
- Apart from the timer setting time, the displays for the two remote controllers are identical.
- The last button pressed has priority (The main or slave attribute is set with the remote controller).

Common Control by Both Wired and Wireless Remote Controllers



- The last button pressed has priority (using either wired or wireless remote controllers).

Weekly Timer (For All Models)

- Timer can be set for each day of the week.
- Can be pre-set with:
 - Max. 6 settings/day
 - 42 settings/week.
- The temperature can also be programmed for optimal comfort.

Pre-sets for different conditions

Businesses with regular off days Example: Saturday afternoon - CLOSED Sunday - CLOSED	Businesses with varying visitor flows at different timings Example: Lunchtime - More visitors, lower temperature	Can be set to switch off automatically Example: Avoid power wastage even if users forget to turn it off (weekdays)
Mon-Fri On 9:00, Off 18:00 Sat On 9:00, Off 12:00 Sun Not set	Daily Settings On 12:00 23°C On 14:00 28°C	Mon-Fri Off 20:00

▶ Timer settings can be different every day of the week.
 ▶ Timing & temperature can be set simultaneously.
 ▶ Timer can be set for simple shut-off operation.

Setting the timer

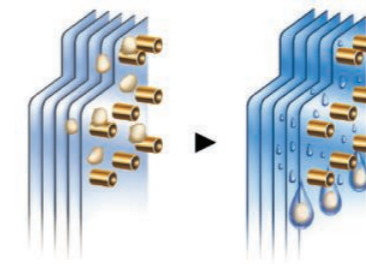
- Select DAY
 (TIMER) 1
 MON TUE WED THU FRI SAT SUN
 ON ◀ 00:00
- Enter TIME
 (TIMER) 1
 MON TUE WED THU FRI SAT SUN
 ON ◀ 9:00

*Simple Timer Mode
Using the 24-Hour ON/OFF timer, ON/OFF operations can be set at the same time daily.

Odour Wash (For All Models)

Reduces unpleasant odours caused by the air conditioner's heat exchanger.

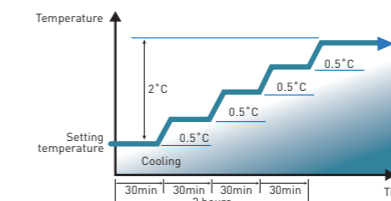
Odour Removing ONE PUSH



When air from the outlet smells musty, moisture in the heat exchanger washes away odours.
Can be operated with the wireless remote controller.

Economy Mode (For All Models)

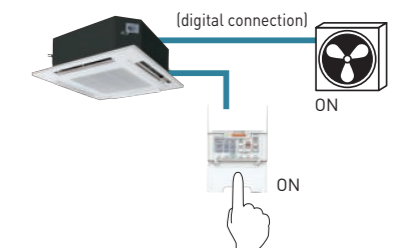
Saves up to 20%* energy. The air conditioner determines the stable condition and moderately shifts the set temperature in 0.5-degree steps to regulate the energy-saving operation (max. 2 degrees).



*During operating in the cooling mode at the remote control set temperature of 25 under the cooling standard temperature conditions.
Can be operated with the wireless remote controller.

Ventilation (For All Models)

When an external device such as a ventilator is connected to the indoor unit, the ventilator's ON/OFF operations can be controlled by the wired remote controller. You can select from either link-ventilation or independent-ventilation.

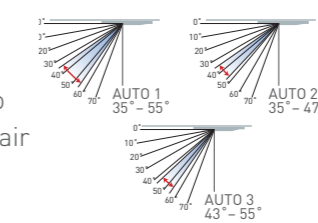


Ventilators are not included in the product line-up. OPTIONAL: Printed circuit board (Interface Adapter for External Signals CZ-TA31P*) is needed.

- *Printed Circuit Board CZ-TA31P
- By connecting to the indoor unit, a separately sold ventilator can be controlled.
- Remote operation control of the indoor unit is enabled (ON/OFF control).
- The condition of the indoor unit (malfunctions, operating status) can be output externally.
- Control in linkage to a total heat exchanger or similar devices is possible.

Multi Comfort Air Control (For Cassette Models)

New control technology gives users a wide selection of more specific airflow angles. Choose from the 3-Pattern Auto Swings to avoid direct exposure to cool air (total 50-degree swing width).

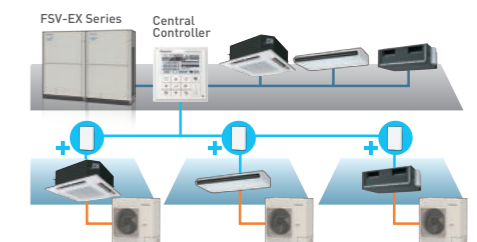


RAC Interface Adapter

Using RAC Interface Adapter along with the existing VRF units, a centralized control system is possible. Temperature management can be achieved by expanding low-to-mid sizes together.



Even buildings with additional air conditioning systems can be central controlled



4-WAY CASSETTE

NEW

Model No.
S-18PU1H5A-1 S-30PU1H5A-1
S-22PU1H5A-1 S-34PU2H5-1
S-25PU1H5A-1 S-43PU2H5-1
S-28PU1H5A-1 S-48PU2H5-1



TECHNICAL FOCUS

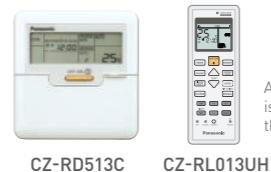
- Compact design
- Low sound levels
- DC fan motor for increased efficiency
- Powerful drain pump gives 850 mm lift
- Lightweight design
- nanoe™ X (CZ-CNEXU1)

Accessories

Panel



Selectable Remote Controller



A wireless remote controller is in the same package with the indoor unit.

nanoe™X Kit

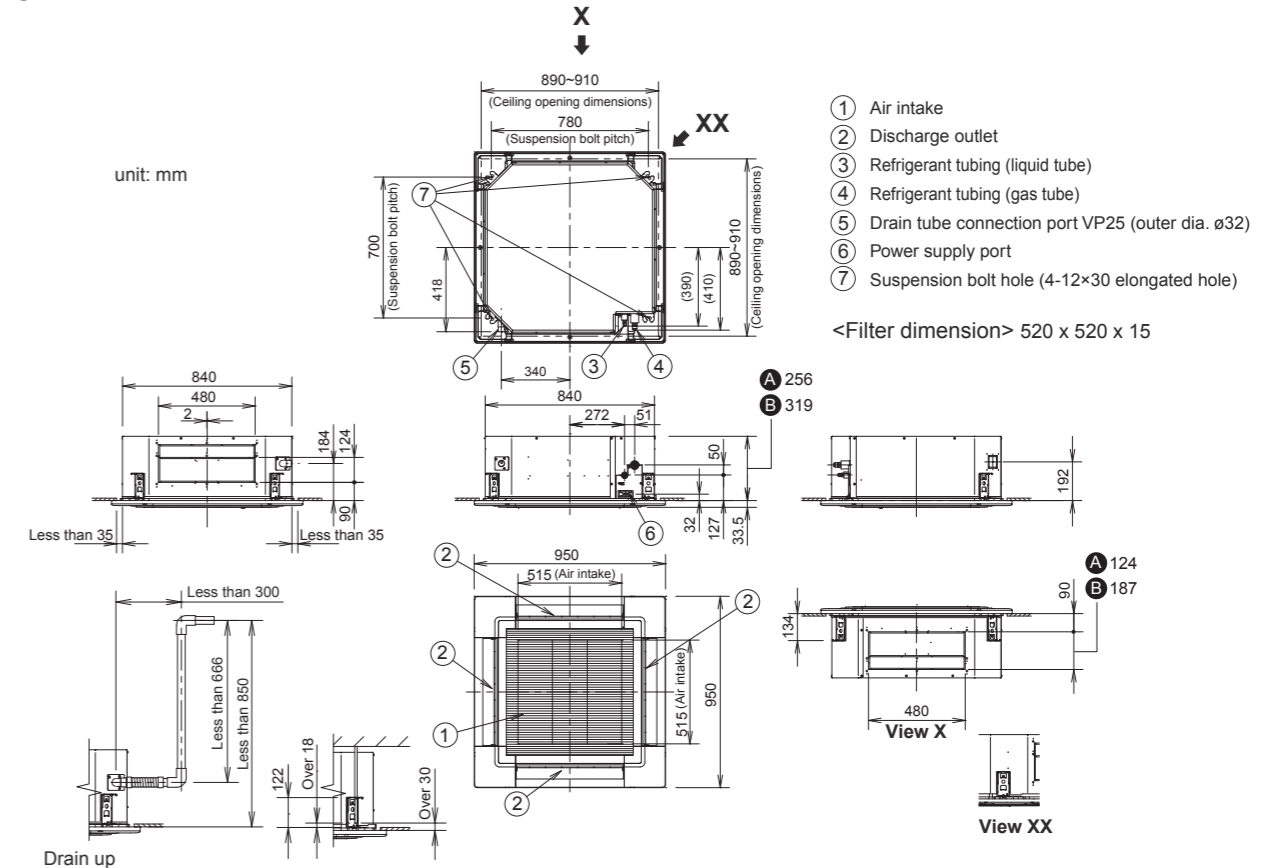


Coner Panel



Dimensions

- A [S-18PU1H5A-1 / S-22PU1H5A-1 / S-25PU1H5A-1 / S-28PU1H5A-1 / S-30PU1H5A-1]
B [S-34PU2H5-1 / S-43PU2H5-1 / S-48PU2H5-1]



* Adjust the suspension bolt length so that the gap from the lower ceiling surface becomes 30 mm or more (18 mm or more from the lower surface of the body) as shown in the figure. When the suspension bolt length is long, it hits the ceiling panel and installation is not possible.

Capacity [Btu/h]		18,500	23,000	25,000	28,000	30,000	30,000	37,000	42,600	45,600	50,000	55,000	
Power Source	V/Phase Hz	230 V, 1Ø Phase - 50 Hz						400 V, 3Ø phase - 50 Hz					
Indoor		S-18PU1H5A-1	S-22PU1H5A-1	S-25PU1H5A-1	S-28PU1H5A-1	S-30PU1H5A-1	S-30PU1H5A-1	S-34PU2H5-1	S-34PU2H5-1	S-43PU2H5-1	S-43PU2H5-1	S-48PU2H5-1	
Outdoor		U-18PV1H5-1	U-22PV1H5-1	U-25PV1H5-1	U-28PV1H5-1	U-30PV1H5-1	U-30PV1H8-1	U-35PV1H8-1	U-40PV1H8-1	U-45PV1H8-1	U-50PV1H8-1	U-55PV1H8-1	
Panel		CZ-KPU3H	CZ-KPU3H	CZ-KPU3H	CZ-KPU3H	CZ-KPU3H	CZ-KPU3H	CZ-KPU3H	CZ-KPU3H	CZ-KPU3H	CZ-KPU3H	CZ-KPU3H	
Cooling Capacity: Rated	kW	5.42	6.74	7.33	8.21	8.79	8.79	10.84	12.49	13.35	14.65	16.12	
	Btu/h	18,500	23,000	25,000	28,000	30,000	30,000	37,000	42,600	45,600	50,000	55,000	
Current	A	7.5	9.1	9.8	12.6	13.0	5.1	6.4	6.9	6.9	8.5	9.0	
Power Input: Rated	kW	1.69	2.05	2.22	2.84	2.93	2.93	3.76	4.07	4.05	4.89	5.20	
	W/W	3.2	3.29	3.30	2.89	3.00	3.00	2.88	3.07	3.30	3.00	3.10	
EER		10.91	11.22	11.25	9.85	10.23	10.23	9.82	10.47	11.26	10.22	10.58	
	Btu/hW												
Indoor Unit													
Air Volume	m ³ /min	24.0	25.0	25.0	25.0	25.0	25.0	32.0	32.0	36.4	36.4	36.4	
	cfm	847	882	882	882	882	882	1,130	1,130	1,285	1,285	1,285	
Sound Pressure Level [Hi/Lo]	dB [A]	41 / 32	41 / 32	41 / 32	41 / 33	41 / 33	41 / 33	44 / 37	44 / 37	47 / 39	47 / 39	47 / 41	
Sound Power Level [Hi/Lo]	dB	56 / 47	56 / 47	56 / 47	56 / 48	56 / 48	56 / 48	59 / 52	59 / 52	62 / 54	62 / 54	62 / 56	
Dimension	Indoor [H×W×D]	mm	256 × 840 × 840	256 × 840 × 840	256 × 840 × 840	256 × 840 × 840	256 × 840 × 840	319 × 840 × 840	319 × 840 × 840	319 × 840 × 840	319 × 840 × 840	319 × 840 × 840	
	Panel [H×W×D]	mm	44 × 950 × 950	44 × 950 × 950	44 × 950 × 950	44 × 950 × 950	44 × 950 × 950	44 × 950 × 950	44 × 950 × 950	44 × 950 × 950	44 × 950 × 950	44 × 950 × 950	
Net Weight	Indoor	kg	21	22	22	22	22	24	24	24	24	24	
	Panel	kg	4	4	4	4	4	4	4	4	4	4	
Outdoor Unit													
Sound Pressure Level	dB [A]	52	52	52	56	56	57	56	56	56	56	56	
Sound Power Level	dB	68	68	68	71	71	71	70	70	70	70	70	
Dimension	Outdoor [H×W×D]	mm	695 × 875 × 320	695 × 875 × 320	695 × 875 × 320	695 × 875 × 320	695 × 875 × 320	750 × 875 × 345	996 × 980 × 370	996 × 980 × 370	996 × 980 × 370	1,170 × 900 × 320	
Net Weight		kg	44	55	55	57	57	58	86	86	86	94	
Piping Connection	Gas Pipe	mm (inch)	12.70 (1/2")	15.88 (5/8")	15.88 (5/8")	15.88 (5/8")	15.88 (5/8")	15.88 (5/8")	15.88 (5/8")	15.88 (5/8")	15.88 (5/8")	15.88 (5/8")	
	Liquid Pipe	mm (inch)	6.35 (1/4")	9.52 (3/8")	9.52 (3/8")	9.52 (3/8")	9.52 (3/8")	9.52 (3/8")	9.52 (3/8")	9.52 (3/8")	9.52 (3/8")	9.52 (3/8")	
Pipe Length	Min-Max	m	7.5 - 30	7.5 - 30	7.5 - 30	7.5 - 45	7.5 - 45	7.5 - 50	7.5 - 50	7.5 - 50	7.5 - 50	7.5 - 50	
Elevation Difference		m	20	20	20	25	25	30	30	30	30	30	
Maximum Chargeless Length	Max	m	7.5	7.5	7.5	7.5	7.5	30	30	30	30	30	
Additional Gas		g/m	20	25	25	30	30	50	50	50	50	50	
Operating Range, Outdoor	Min-Max	°C	16 - 43	16 - 43	16 - 43	16 - 43	16 - 43	16 - 43	16 - 43	16 - 43	16 - 43	16 - 43	

MINI CASSETTE

Model No.
CS-PV18RB4H-1
CS-PV24RB4H-1



TECHNICAL FOCUS

- 4-Way Airflow System
- LCD Wireless Remote Controller
- Random Auto Restart
- Removable Washable Panel
- 24 Hours Real On Off Timer
- Dew Prevention Control
- Anti Freezing Control

Accessories

Panel



CZ-BT20HW-1

Selectable Remote Controller



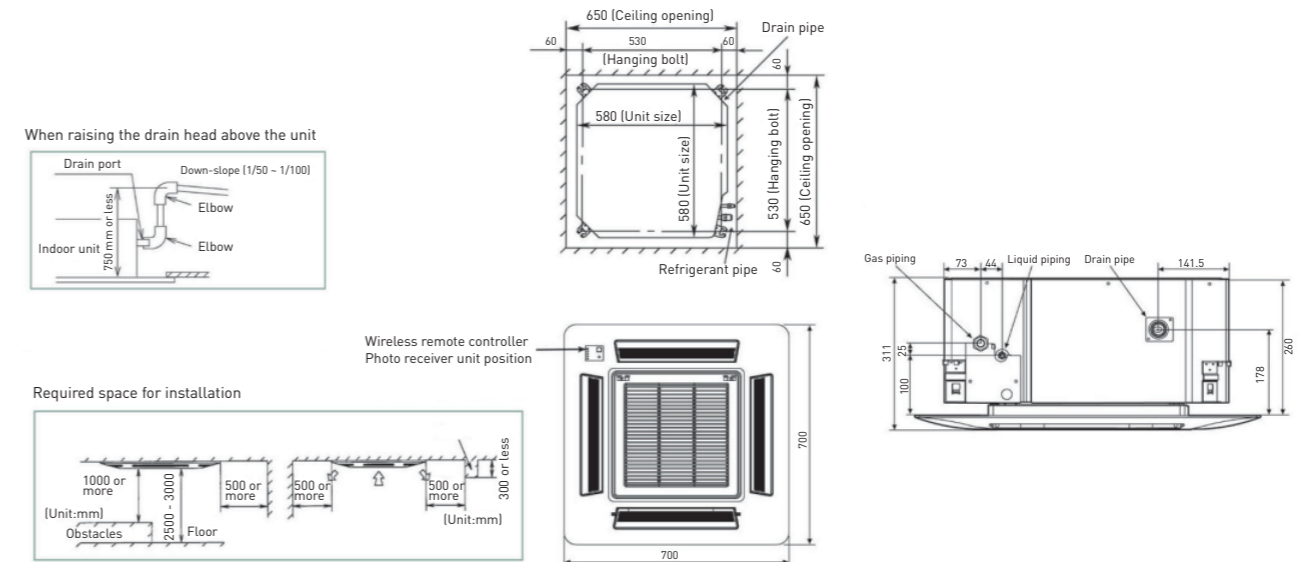
CZ-RD52CP



A wireless remote controller is in the same package with the indoor unit.

Capacity [Btu/h]		18,300	22,700
Power Source	V/Phase Hz	230 V, 1Ø Phase - 50 Hz	
Indoor		CS-PV18RB4H-1	CS-PV24RB4H-1
Outdoor		CU-PV18RB4H-1	CU-PV24RB4H-1
Panel		CZ-BT20HW-1	CZ-BT20HW-1
Cooling Capacity: Rated	kW	5.35	6.65
	Btu/h	18,300	22,700
Current	A	7.7	11.0
Power Input: Rated	kW	1.72	2.45
EER	W/W	3.11	2.71
	Btu/hW	10.64	9.27
Indoor Unit			
Air Volume	m ³ /min	13.7	13.7
	cfm	485	485
Sound Pressure Level (Hi/Lo)	dB (A)	44 / 34	45 / 36
Dimension	Indoor (H×W×D)	mm	260 × 575 × 575
	Panel (H×W×D)	mm	51 × 700 × 700
Net Weight	Indoor	kg	19.0
	Panel	kg	2.5
Outdoor Unit			
Sound Pressure Level	dB (A)	53	56
Dimension	Outdoor (H×W×D)	mm	695 × 875 × 320
Net Weight	kg	47.0	53.0
Piping Connection	Gas Pipe	mm (inch)	12.70 (1/2")
	Liquid Pipe	mm (inch)	6.35 (1/4")
Pipe Length	Min-Max	m	3.0 - 25.0
Elevation Difference	m	20.0	20.0
Maximum Chargeless Length	Max	m	7.5
Additional Gas	g/m	20	30
Operating Range, Outdoor	Min-Max	°C	16 - 43

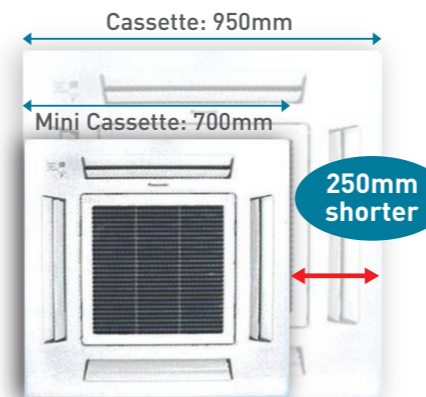
Dimensions



* The models on this page cannot be used with the remote controllers or accessories shown on page 12.

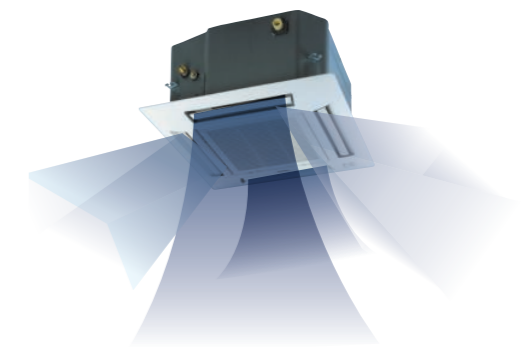
Space Savings

The compact design allows space saving.



Comfort

4-Way and auto swing louvers offer comfortable and uniform airflow to all corners of room.



CEILING EXPOSED

Model No.
S-22PT1H5-1 S-45PT1H5-1
S-28PT1H5-1 S-55PT1H5-1
S-35PT1H5-1

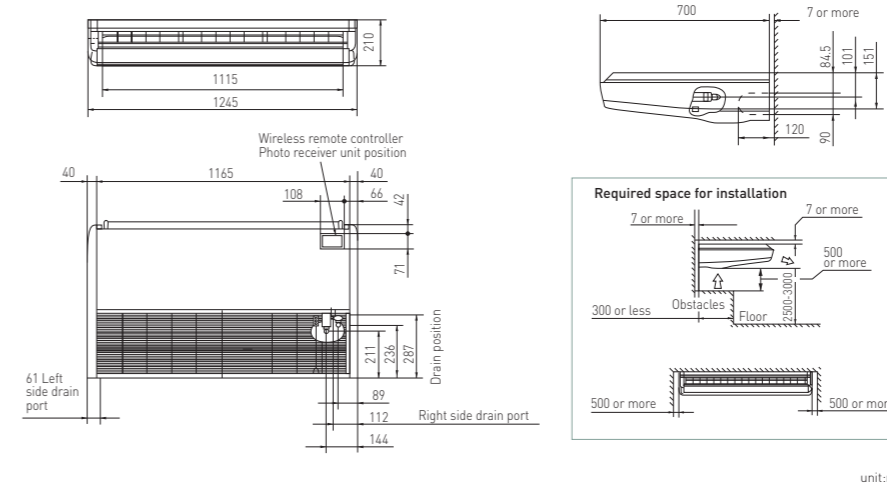


TECHNICAL FOCUS

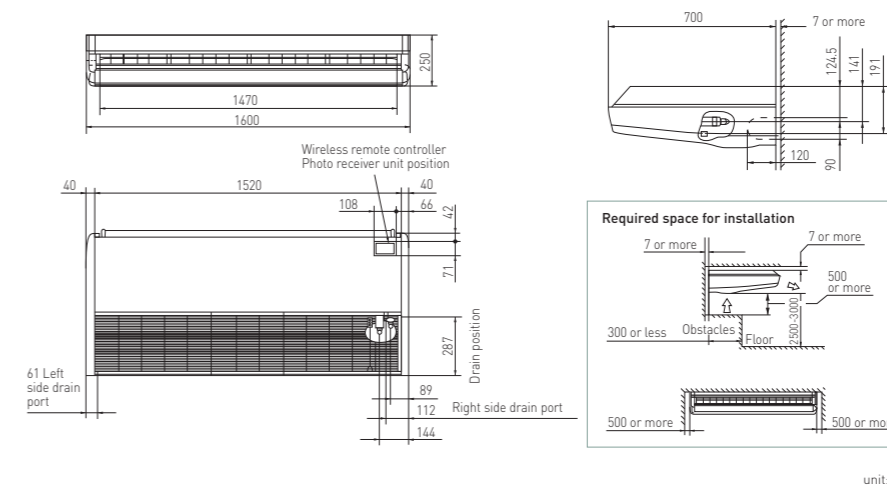
- Compact Looking, Stylish, One-Motion Design
- Energy-Saving Technology Delivering Top-Class Efficiency
- Comfortable, Long-Distance Air Flow Distribution



Dimensions (S-22PT1H5-1 / S-28PT1H5-1)



Dimensions (S-35PT1H5-1 / S-45PT1H5-1 / S-55PT1H5-1)



Selectable Remote Controller



CZ-RD513C CZ-RL013T

Capacity [Btu/h]		22,500	27,000	36,500	43,000	51,000
Power Source	V/Phase Hz	230 V, 1Ø Phase - 50 Hz			400 V, 3Ø phase - 50Hz	
Indoor		S-22PT1H5-1	S-28PT1H5-1	S-35PT1H5-1	S-45PT1H5-1	S-55PT1H5-1
Outdoor		U-22PV1H5-1	U-28PV1H5-1	U-35PV1H8-1	U-45PV1H8-1	U-55PV1H8-1
Cooling Capacity: Rated	kW	6.59	7.91	10.70	12.61	14.95
	Btu/h	22,500	27,000	36,500	43,000	51,000
Current	A	9.6	12.2	6.3	7.3	9.4
Power Input: Rated	kW	2.16	2.75	3.72	4.30	5.44
EER	W/W	3.05	2.88	2.88	2.93	2.75
	Btu/hW	10.40	9.82	9.82	9.99	9.38
Indoor Unit						
Air Volume	m ³ /min	17.0	18.0	29.0	31.0	32.0
	cfm	600	635	1,024	1,094	1,130
Sound Pressure Level (Hi/Lo)	dB (A)	43 / 39	45 / 41	47 / 43	49 / 45	50 / 46
Sound Power Level (Hi/Lo)	dB	58 / 54	60 / 56	62 / 58	64 / 60	65 / 61
Dimension	Indoor (H×W×D)	mm	210 × 1,245 × 700	210 × 1,245 × 700	250 × 1,600 × 700	250 × 1,600 × 700
Net Weight		kg	33	33	43	48
Outdoor Unit						
Sound Pressure Level	dB (A)	52	56	56	56	56
Sound Power Level	dB	68	71	70	70	70
Dimension	Outdoor (H×W×D)	mm	695 × 875 × 320	695 × 875 × 320	996 × 980 × 370	1,170 × 900 × 320
Net weight		kg	55	57	86	94
Piping Connection	Gas Pipe	mm (inch)	15.88 (5/8")	15.88 (5/8")	15.88 (5/8")	15.88 (5/8")
	Liquid Pipe	mm (inch)	9.52 (3/8")	9.52 (3/8")	9.52 (3/8")	9.52 (3/8")
Pipe Length	Min-Max	m	7.5 - 30	7.5 - 45	7.5 - 50	7.5 - 50
Elevation Difference		m	20	25	30	30
Maximum Chargeless Length	Max	m	7.5	7.5	30	30
Additional Gas		g/m	25	30	50	50
Operating Range, Outdoor	Min-Max	°C	16 - 43	16 - 43	16 - 43	16 - 43

CEILING DUCTED

Model No.
S-22PF1H5 S-45PF1H5
S-28PF1H5 S-55PF1H5
S-35PF1H5



TECHNICAL FOCUS

- Total Cooling Coverage
- Flexible Installation
- Easy Installation
- Easy Maintenance & Cleaning



Remote Controller

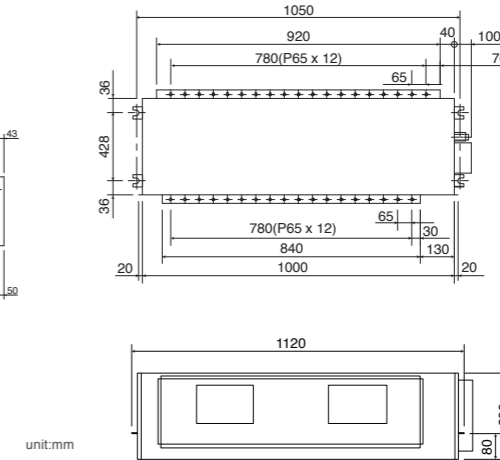
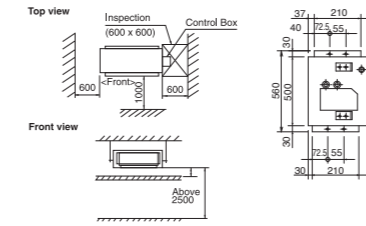


A wired controller is in the same package with the indoor unit.

CZ-RD513C

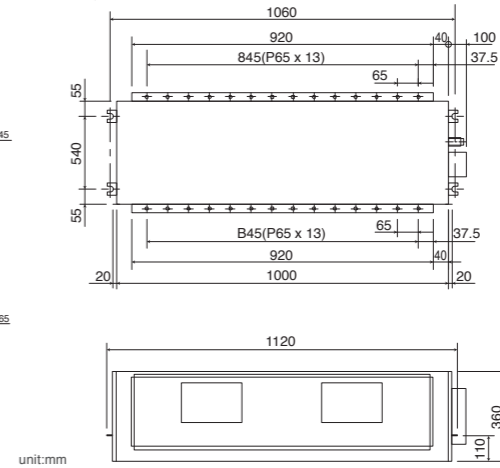
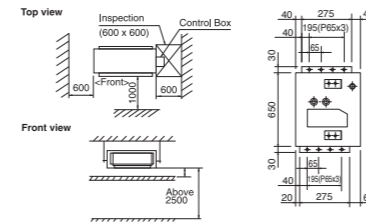
Dimensions (S-22PF1H5 / S-28PF1H5)

Required space for installation



Dimensions (S-35PF1H5 / S-45PF1H5 / S-55PF1H5)

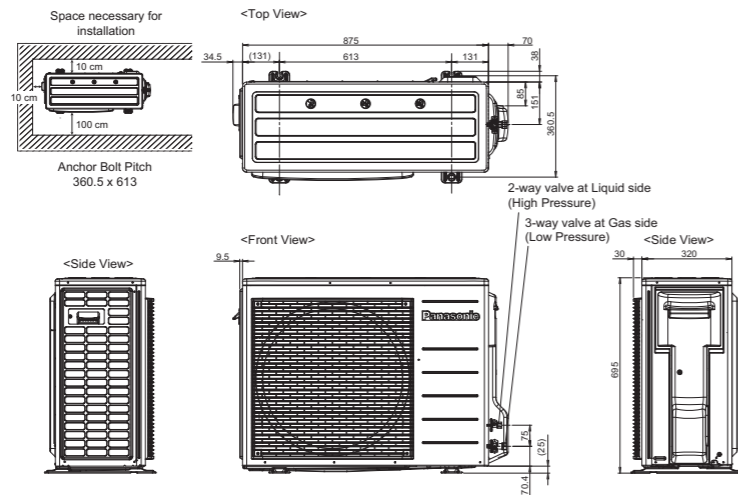
Required space for installation



Capacity [Btu/h]		22,500	28,000	36,000	42,500	51,000
Power Source	V/Phase Hz	230 V, 1Ø Phase - 50 Hz			400 V, 3Ø phase - 50Hz	
Indoor		S-22PF1H5	S-28PF1H5	S-35PF1H5	S-45PF1H5	S-55PF1H5
Outdoor		U-22PV1H5-1	U-28PV1H5-1	U-35PV1H8-1	U-45PV1H8-1	U-55PV1H8-1
Cooling Capacity: Rated	kW	6.59	8.21	10.55	12.45	14.95
	Btu/h	22,500	28,000	36,000	42,500	51,000
Current	A	9.6	12.7	6.9	7.7	9.3
Power Input: Rated	kW	2.16	2.87	4.06	4.53	5.58
	W/W	3.05	2.86	2.60	2.75	2.68
EER	Btu/hW	10.40	9.75	8.87	9.38	9.14
External Static Pressure	Pa (mm Ag)	69 [7]	69 [7]	98 [10]	98 [10]	98 [10]
Indoor Unit						
Air Volume	m ³ /min	22.0	22.0	45.0	45.0	45.0
	cfm	777	777	1,588	1,588	1,588
Sound Pressure Level (Hi/Lo)	dB (A)	45 / 41	45 / 41	49 / 45	49 / 45	49 / 45
Sound Power Level (Hi/Lo)	dB	60 / 56	60 / 56	64 / 60	64 / 60	64 / 60
Dimension	Indoor (H×W×D)	mm	290 × 1,100 × 500	360 × 1,100 × 500	360 × 1,100 × 650	360 × 1,100 × 650
Net Weight		kg	31	43	43	43
Outdoor Unit						
Sound Pressure Level	dB (A)	52	56	56	56	56
Sound Power Level	dB	68	71	70	70	70
Dimension	Outdoor (H×W×D)	mm	695 × 875 × 320	695 × 875 × 320	996 × 980 × 370	1,170 × 900 × 320
Net weight		kg	55	57	86	94
Piping Connection	Gas Pipe	mm (inch)	15.88 (5/8")	15.88 (5/8")	15.88 (5/8")	15.88 (5/8")
	Liquid Pipe	mm (inch)	9.52 (3/8")	9.52 (3/8")	9.52 (3/8")	9.52 (3/8")
Pipe Length	Min-Max	m	7.5 - 30	7.5 - 45	7.5 - 50	7.5 - 50
Elevation Difference		m	20	25	30	30
Maximum Chargeless Length	Max	m	7.5	7.5	30	30
Additional Gas		g/m	25	30	50	50
Operating Range, Outdoor	Min-Max	°C	16 - 43	16 - 43	16 - 43	16 - 43

MINI CASSETTE

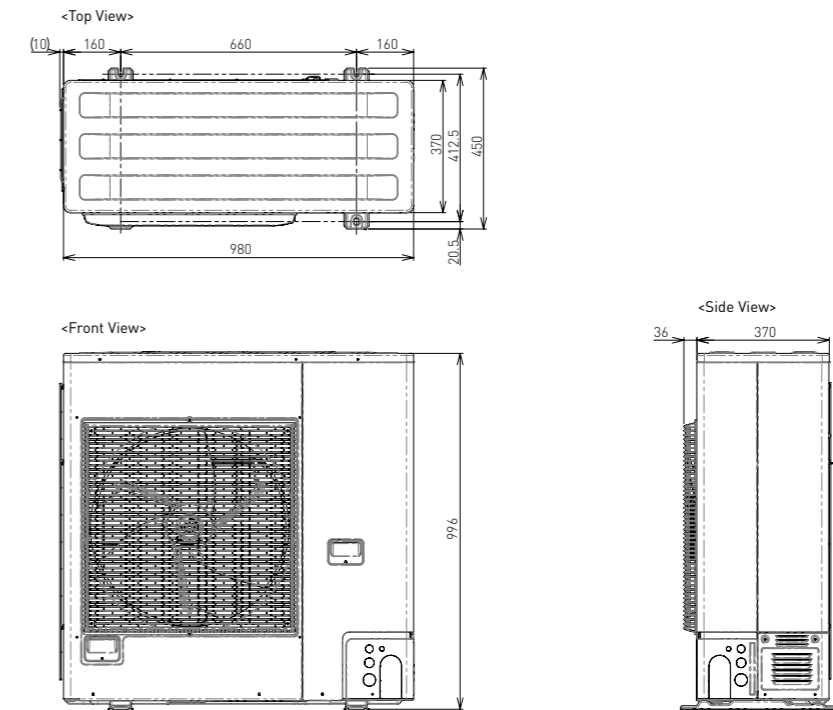
Dimensions (CU-PV18RB4H-1 / CU-PV24RB4H-1) 1-phase



Unit:mm

4-WAY CASSETTE / CEILING EXPOSED / CEILING DUCTED

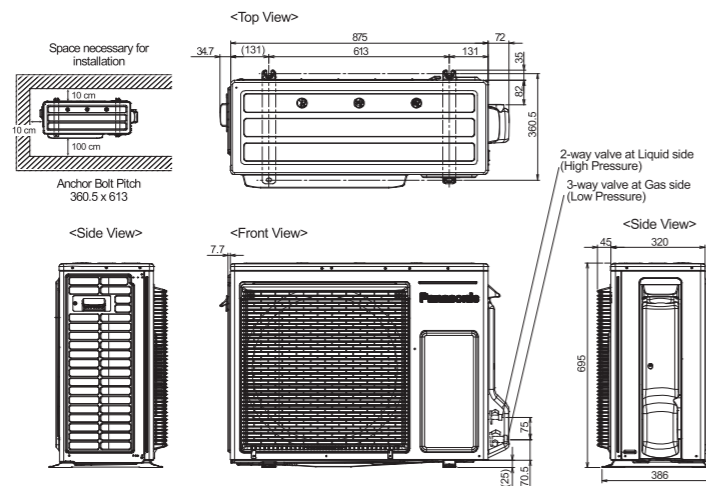
Dimensions (U-35PV1H8-1 / U-40PV1H8-1 / U-45PV1H8-1 / U-50PV1H8-1) 3-phase



Unit:mm

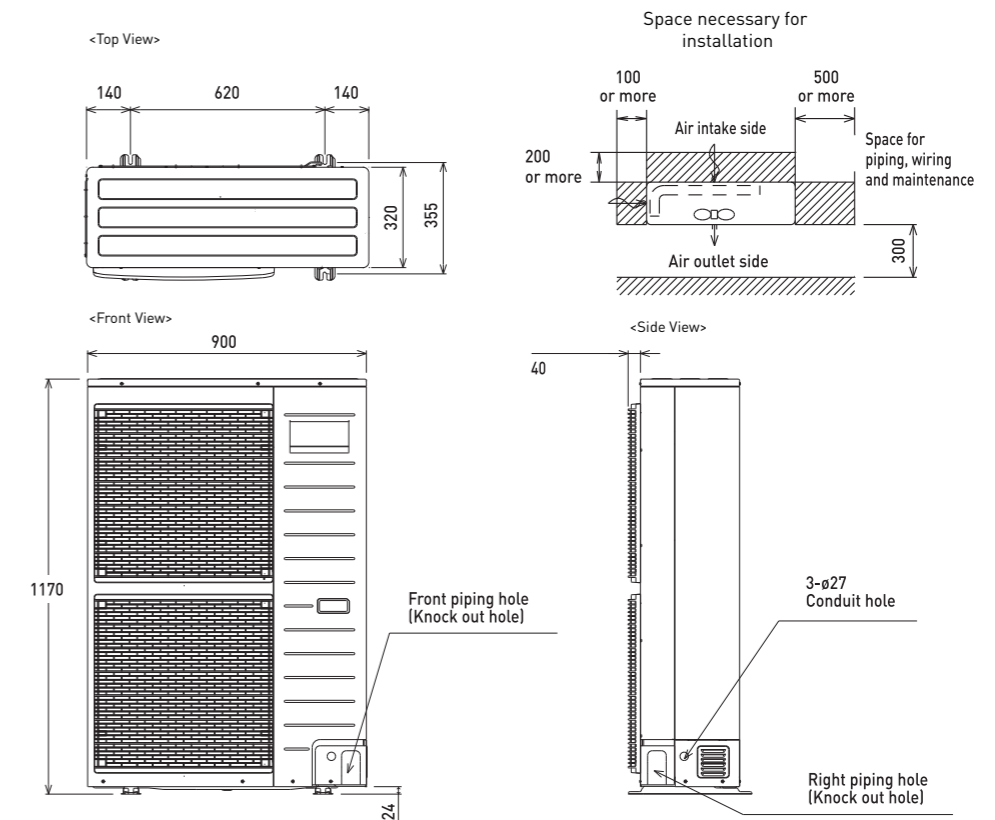
4-WAY CASSETTE / CEILING EXPOSED / CEILING DUCTED

Dimensions (U-18PV1H5-1 / U-22PV1H5-1 / U-25PV1H5-1 / U-28PV1H5-1 / U-30PV1H5-1) 1-phase



Unit:mm

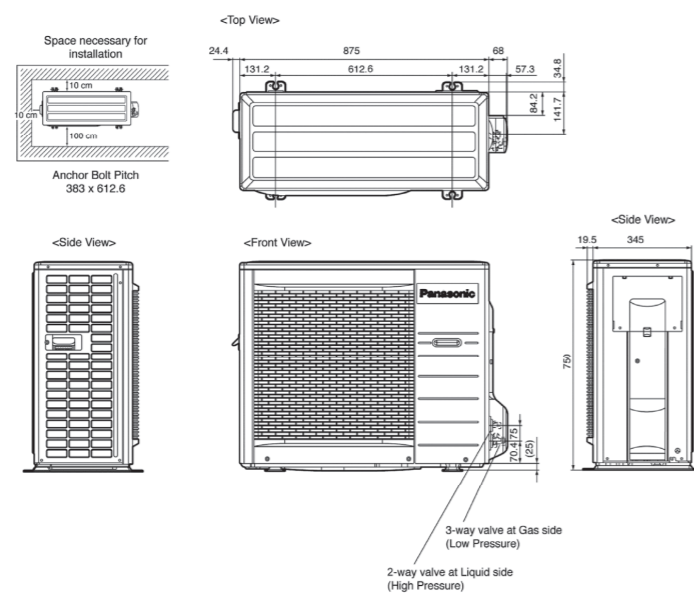
Dimensions (U-55PV1H8-1) 3-phase



Unit:mm

4-WAY CASSETTE

Dimensions (U-30PV1H8-1) 3-phase



Unit:mm