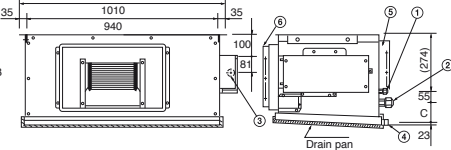
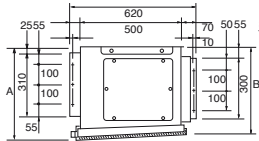
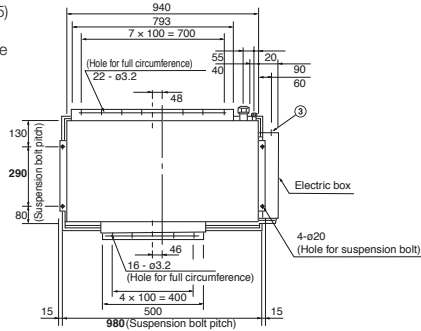


E1 TYPE HIGH STATIC DUCTED Dimensions

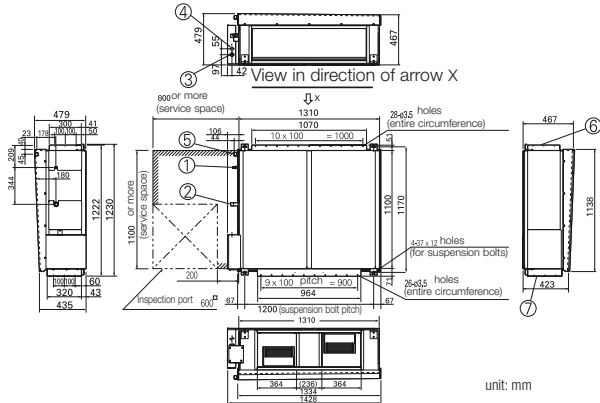
- 1 Refrigerant liquid line (ø9.52)
- 2 Refrigerant gas line (ø15.88)
- 3 Power supply entry
- 4 Drain connection (20A / VP25)
- 5 Duct connection for suction
- 6 Duct connection for discharge

unit: mm

	A	B	C
73 / 106	420	395	68
140	450	425	98



- 1 Refrigerant piping (liquid pipes) Ø9.52
- 2 Refrigerant piping (gas pipes)
224 type: Ø19.05, 280 type: Ø22.22
- 3 Power supply outlet (Ø25 grommet, rubber)
- 4 Power supply outlet (spare) (Ø30 knock-out)
- 5 Drain port 25 A, male thread
- 6 Duct connection for suction
- 7 Duct connection for discharge



unit: mm