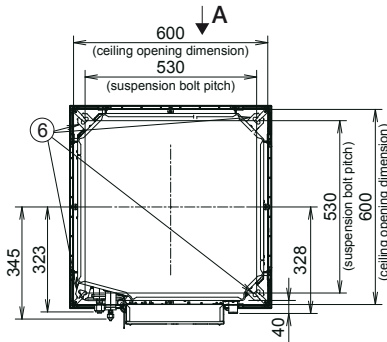
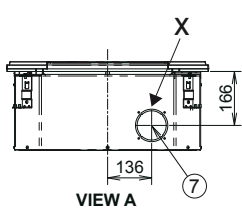
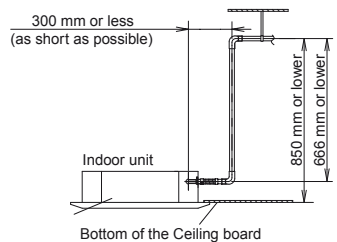
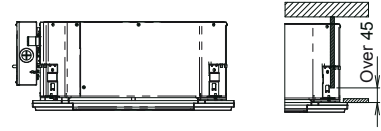
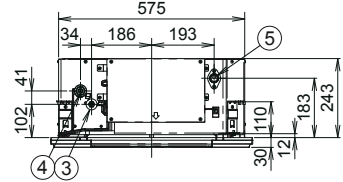
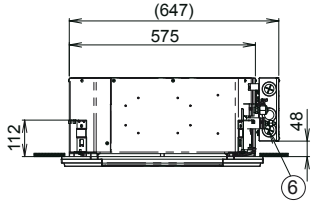


Y3 TYPE 4-WAY MINI CASSETTE Dimensions

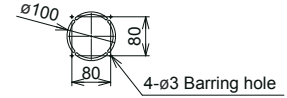
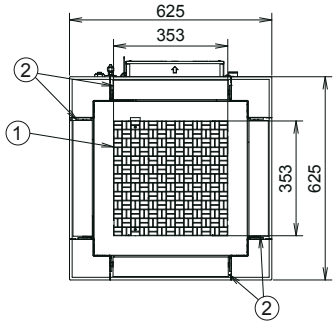
unit: mm



①	Air intake grille
②	Air outlet
③	Refrigerant piping (liquid pipe) 25,36,50:ø6.35 (flared) 60:ø9.52 (flared) *1
④	Refrigerant piping (gas pipe) 25,36,50:ø12.7 (flared) 60:ø15.88 (flared) *2
⑤	Drain tube connection port VP20
⑥	Power supply entry
⑦	Suspension bolt hole (4-11 × 26 slot)
⑧	Fresh air intake duct connection port (ø100) *3



* Length of supplied drain pipe = 250 mm



Detailed view X

* Necessary to attach duct connecting flange (field supply).
<Filter dimension> 362 × 362 × 15