

2-WAY FSV-EX ME2 Series

High Efficiency Combination Model

Appearance			
HP	8 10 12 14 16		
Model name	U-8ME2H7 U-10ME2H7 U-12ME2H7 U-14ME2H7 U-16ME2H7		
Power supply	380/400/415V/3-phase/50Hz 380/400V/3-phase/60Hz		
Capacity	Cooling	kW 22.4 28.0 33.5 40.0 45.0	
	Heating	kW 25.0 31.5 37.5 45.0 50.0	
EER / COP	Cooling	W/W 5.30 5.03 4.73 4.56 4.13	
	Heating	W/W 5.84 5.56 5.38 5.29 5.13	
Dimensions	H x W x D mm 1,842 x 770 x 1,000		
Net weight	kg 210		
Electrical ratings	Cooling	Running current A	7.14 / 6.78 / 6.54
		Power input kW	4.23
	Heating	Running current A	7.15 / 6.79 / 6.54
		Power input kW	4.28
Starting current	A	1	
Air flow rate	m³/h	13,440	
	L/s	3,733	
Refrigerant amount at shipment	kg	5.6	
External static pressure	Pa	80	
Piping connections	Gas pipe mm (inches)	Ø19.05 (Ø3/4)	
	Liquid pipe mm (inches)	Ø9.52 (Ø3/8)	
	Balance pipe mm (inches)	Ø6.35 (Ø1/4)	
Ambient temperature operating range	Cooling: -10°C (DB)~ +52°C (WB); Heating: -25°C (WB)~ +18°C (WB)		
Sound pressure level	Normal mode dB (A)	53.0	
	Silent mode (2) dB (A)	48.0	
Sound power level	Normal mode dB	74.0	



Appearance			
HP	28 30 32 34 36 38 40 42 44 46 48 50 52 54		
Model name	U-28ME2H7 U-30ME2H7 U-32ME2H7 U-34ME2H7 U-36ME2H7 U-38ME2H7 U-40ME2H7 U-42ME2H7 U-44ME2H7 U-46ME2H7 U-48ME2H7 U-50ME2H7 U-52ME2H7 U-54ME2H7		
Power supply	380/400/415V/3-phase/50Hz 380/400V/3-phase/60Hz		
Capacity	Cooling	kW 78.5 85.0 90.0 96.0 101.0 107.0 113.0 118.0 124.0 130.0 135.0 140.0 145.0 151.0	
	Heating	kW 87.5 95.0 100.0 108.0 113.0 119.0 127.0 132.0 138.0 145.0 150.0 155.0 160.0 169.0	
EER / COP	Cooling	W/W 4.36 4.31 4.13 4.80 4.72 4.51 4.45 4.31 4.26 4.25 4.13 4.58 4.53 4.40	
	Heating	W/W 5.24 5.19 5.13 5.40 5.38 5.31 5.23 5.22 5.19 5.18 5.12 5.36 5.33 5.26	
Dimensions	H x W x D mm 1,842 x 2,420 x 1,000		
Net weight	kg 585		
Electrical ratings	Cooling	Running current A	30.4 / 28.9 / 27.8
		Power input kW	18.0
	Heating	Running current A	28.2 / 26.8 / 25.8
		Power input kW	16.7
Starting current	A	3	
Air flow rate	m³/h	27,840	
	L/s	7,733	
Refrigerant amount at shipment	kg	16.6	
External static pressure	Pa	80	
Piping connections	Gas pipe mm (inches)	Ø31.75 (Ø1-1/4)	
	Liquid pipe mm (inches)	Ø19.05 (Ø3/4)	
	Balance pipe mm (inches)	Ø6.35 (Ø1/4)	
Ambient temperature operating range	Cooling: -10°C (DB)~ +52°C (WB); Heating: -25°C (WB)~ +18°C (WB)		
Sound pressure level	Normal mode dB (A)	62.5	
	Silent mode (2) dB (A)	57.5	
Sound power level	Normal mode dB	83.5	

Appearance			
HP	56 58 60 62 64		
Model name	U-56ME2H7 U-58ME2H7 U-60ME2H7 U-62ME2H7 U-64ME2H7		
Power supply	380/400/415V/3-phase/50Hz 380/400V/3-phase/60Hz		
Capacity	Cooling	kW 156.0 162.0 168.0 174.0 180.0	
	Heating	kW 175.0 182.0 189.0 195.0 201.0	
EER / COP	Cooling	W/W 4.38 4.27 4.24 4.23 4.13	
	Heating	W/W 5.24 5.19 5.15 5.16 5.11	
Dimensions	H x W x D mm 1,842 x 4,900 x 1,000		
Net weight	kg 1,170		
Electrical ratings	Cooling	Running current A	60.1 / 57.1 / 55.0
		Power input kW	35.6
	Heating	Running current A	56.4 / 53.6 / 51.6
		Power input kW	33.4
Starting current	A	6	
Air flow rate	m³/h	55,680	
	L/s	15,467	
Refrigerant amount at shipment	kg	33.2	
External static pressure	Pa	80	
Piping connections	Gas pipe mm (inches)	Ø38.10 (Ø1-1/2)	
	Liquid pipe mm (inches)	Ø19.05 (Ø3/4)	
	Balance pipe mm (inches)	Ø6.35 (Ø1/4)	
Ambient temperature operating range	Cooling: -10°C (DB)~ +52°C (WB); Heating: -25°C (WB)~ +18°C (WB)		
Sound pressure level	Normal mode dB (A)	65.5	
	Silent mode (2) dB (A)	60.5	
Sound power level	Normal mode dB	86.5	

Global remarks

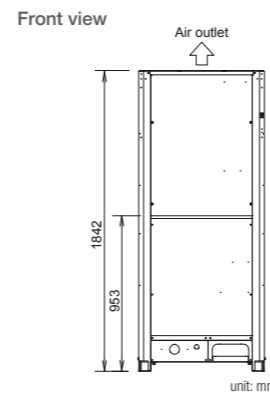
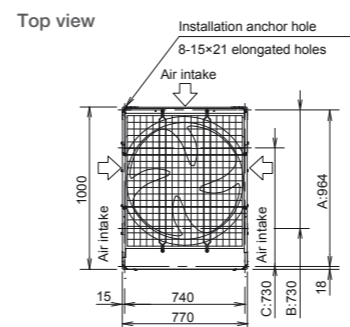
Rated conditions:	Cooling	Heating
Indoor air temperature	27°C DB / 19°C WB	20°C DB
Outdoor air temperature	35°C DB	7°C DB / 6°C WB

These specifications are subject to change without notice.

8 / 10 HP

According to the installation site, you may choose the setting position in the depth direction of the anchor bolt from A, B or C.

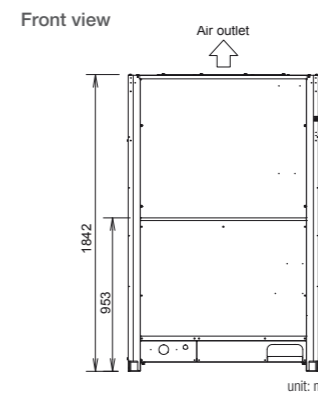
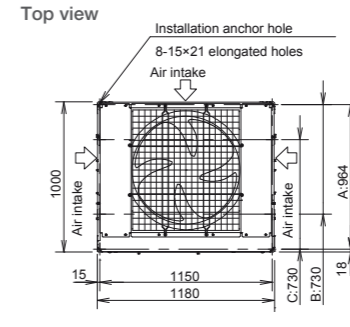
- A: (Installation hole pitch) For removing tube forward
- B: (Installation hole pitch) For removing the tube downward
- C: (Installation hole pitch)



12 / 14 / 16 HP

According to the installation site, you may choose the setting position in the depth direction of the anchor bolt from A, B or C.

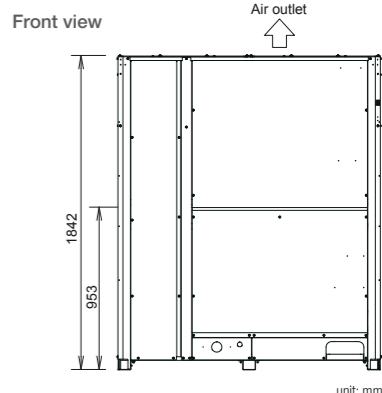
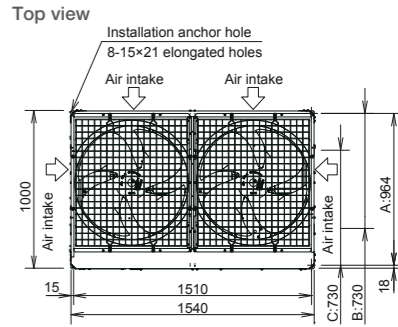
- A: (Installation hole pitch) For removing tube forward
- B: (Installation hole pitch) For removing the tube downward
- C: (Installation hole pitch)



18 / 20 HP

According to the installation site, you may choose the setting position in the depth direction of the anchor bolt from A, B or C.

- A: (Installation hole pitch) For removing tube forward
- B: (Installation hole pitch) For removing the tube downward
- C: (Installation hole pitch)



2-WAY FSV-EX ME2 Series

Space-saving Combination Model

Table with columns for HP (8, 10, 12, 14, 16, 18, 20, 22, 24), Model name (U-8ME2H7 to U-24ME2H7), Power supply (380/400/415V/3-phase/50Hz), Capacity (Cooling/Heating kW, BTU/h), EER/COP, Dimensions, Net weight, Electrical ratings, Starting current, Air flow rate, Refrigerant amount, External static pressure, Piping connections, Ambient temperature, Sound pressure level.

Table with columns for HP (26, 28, 30, 32, 34, 36, 38, 40, 42, 44, 46, 48), Model name (U-26ME2H7 to U-48ME2H7), Power supply (380/400/415V/3-phase/50Hz), Capacity, EER/COP, Dimensions, Net weight, Electrical ratings, Starting current, Air flow rate, Refrigerant amount, External static pressure, Piping connections, Ambient temperature, Sound pressure level.

Table with columns for HP (50, 52, 54, 56, 58, 60, 62, 64, 66), Model name (U-50ME2H7SP to U-66ME2H7SP), Power supply (380/400/415V/3-phase/50Hz), Capacity, EER/COP, Dimensions, Net weight, Electrical ratings, Starting current, Air flow rate, Refrigerant amount, External static pressure, Piping connections, Ambient temperature, Sound pressure level.

Table with columns for HP (68, 70, 72, 74, 76, 78, 80), Model name (U-68ME2H7SP to U-80ME2H7SP), Power supply (380/400/415V/3-phase/50Hz), Capacity, EER/COP, Dimensions, Net weight, Electrical ratings, Starting current, Air flow rate, Refrigerant amount, External static pressure, Piping connections, Ambient temperature, Sound pressure level.

Global remarks

Table with 3 columns: Rated conditions, Cooling, Heating. Values include indoor/outdoor air temperatures and sound power levels.

These specifications are subject to change without notice.