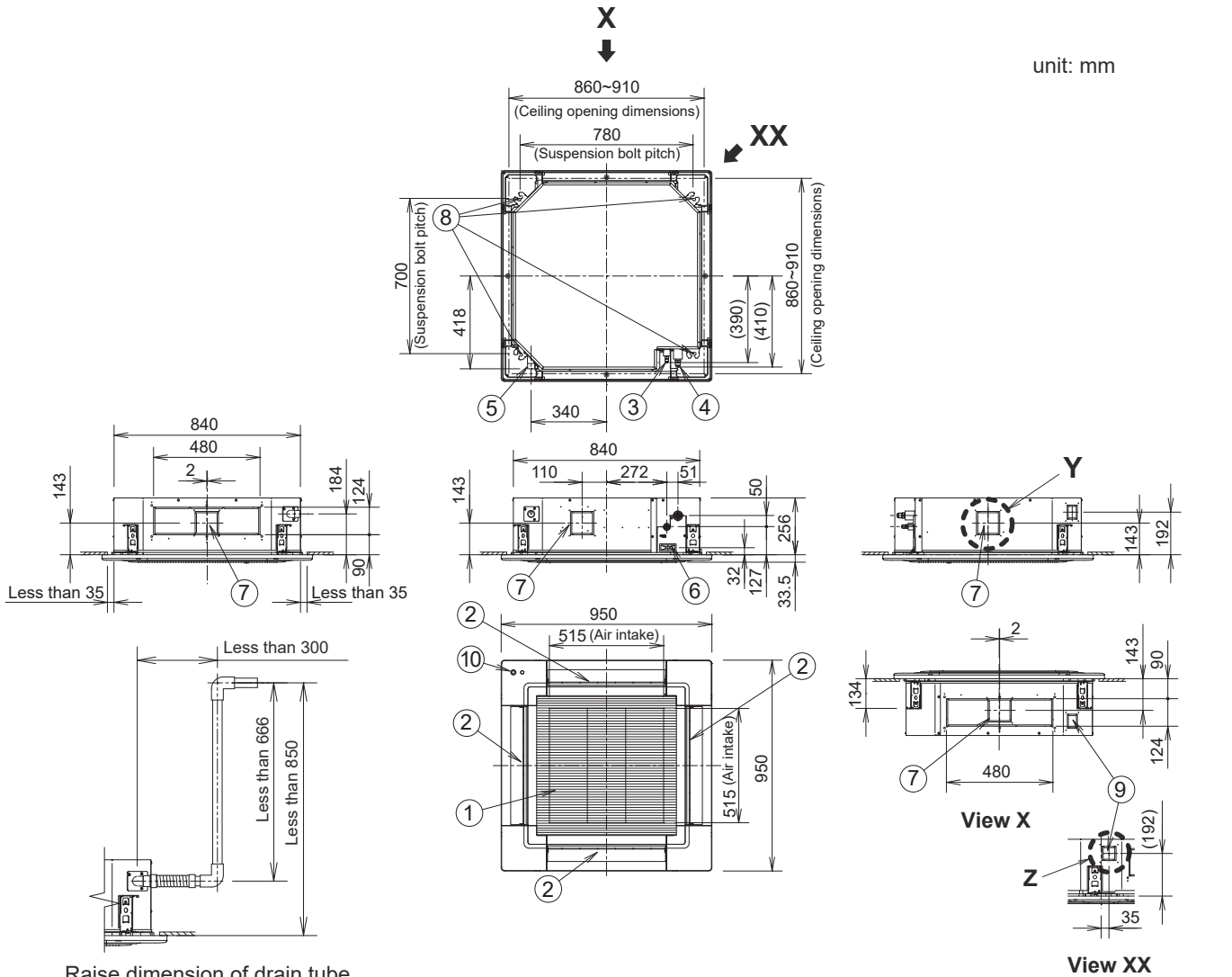


1-2. Dimensional Data

1-2-1. Indoor Unit

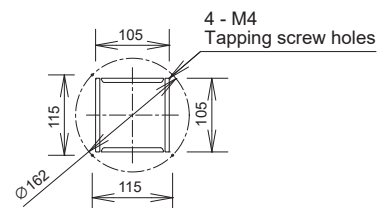
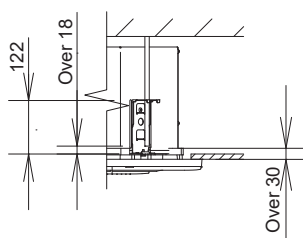
1-2-1-1. 4-Way Cassette Type S-6071PU3E

unit: mm

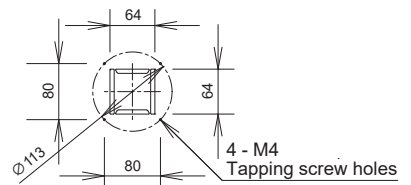


Raise dimension of drain tube

The length of the suspension bolts should be selected so that there is a gap of 30 mm or more below the lower surface of the ceiling (18 mm or more below the lower surface of the main unit), as shown in the figure at right. If the suspension bolt is too long, it will contact the ceiling panel and the unit cannot be installed.



Detailed view Y



Detailed view Z

①	Air intake
②	Discharge outlet
③	Refrigerant tubing joint (liquid tube) S-6071PU3E : $\phi 9.52$ (flared) *1
④	Refrigerant tubing joint (gas tube) S-6071PU3E(60) : $\phi 15.88$ (flared) *2 S-6071PU3E(71) : $\phi 15.88$ (flared)
⑤	Drain tube connection port VP25 (outer dia. $\phi 32$)
⑥	Power supply port
⑦	Discharge duct connection port ($\phi 150$)
⑧	Suspension bolt hole (4-12×30 elongated hole)
⑨	Fresh air intake duct connection port ($\phi 100$) *3
⑩	ECONAVI sensor (Only CZ-KPU3A)

*1 When connecting with U-60PZ3R5 or U-71PZ3R5, connect the liquid socket tube ($\phi 9.52$ - $\phi 6.35$) to the liquid tubing side indoor unit.

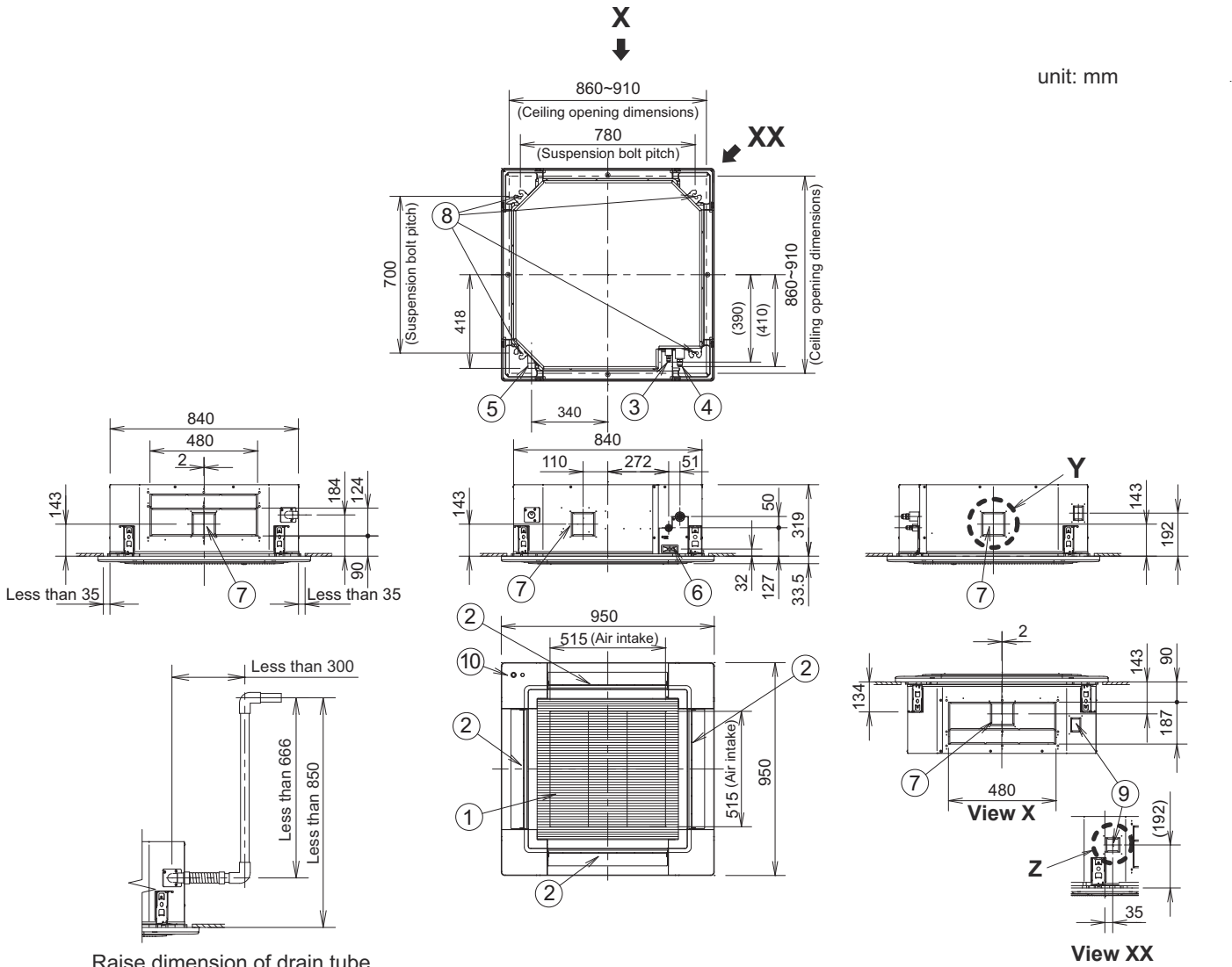
*2 When connecting with U-60PZ3R5, connect the gas socket tube ($\phi 15.88$ - $\phi 12.7$) to the gas tubing side indoor unit.

*3 Necessary to attach duct connecting flange (field supply).

<Filter dimension>

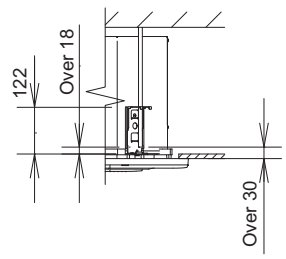
520 × 520 × 15

1-2-1-1. 4-Way Cassette Type S-1014PU3E



Raise dimension of drain tube

The length of the suspension bolts should be selected so that there is a gap of 30 mm or more below the lower surface of the ceiling (18 mm or more below the lower surface of the main unit), as shown in the figure at right. If the suspension bolt is too long, it will contact the ceiling panel and the unit cannot be installed.



①	Air intake
②	Discharge outlet
③	Refrigerant tubing (liquid tube) $\phi 9.52$ (flared)
④	Refrigerant tubing (gas tube) $\phi 15.88$ (flared)
⑤	Drain tube connection port VP25 (outer dia. $\phi 32$)
⑥	Power supply port
⑦	Discharge duct connection port ($\phi 150$)
⑧	Suspension bolt hole (4-12 \times 30 elongated hole)
⑨	Fresh air intake duct connection port ($\phi 100$) *
⑩	ECONAVI sensor (Only CZ-KPU3A)

* Necessary to attach duct connecting flange(field supply).

<Filter dimension>
520 x 520 x 15