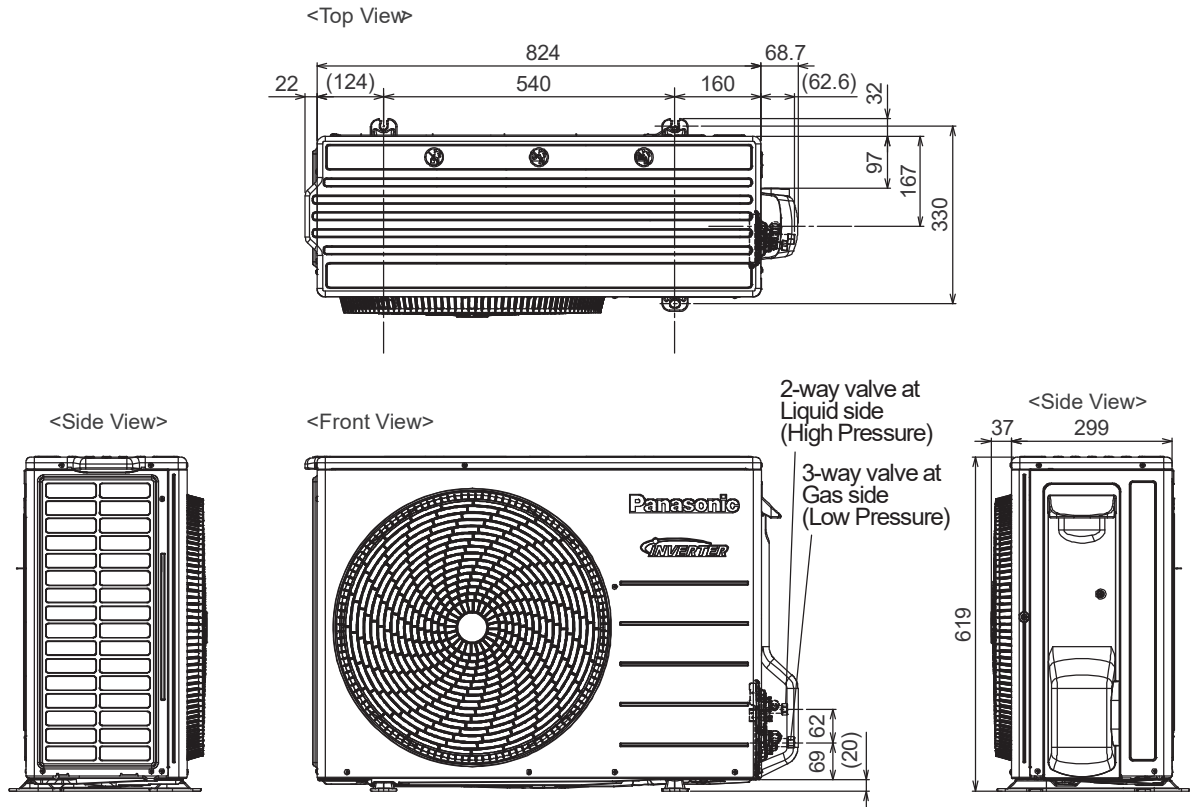


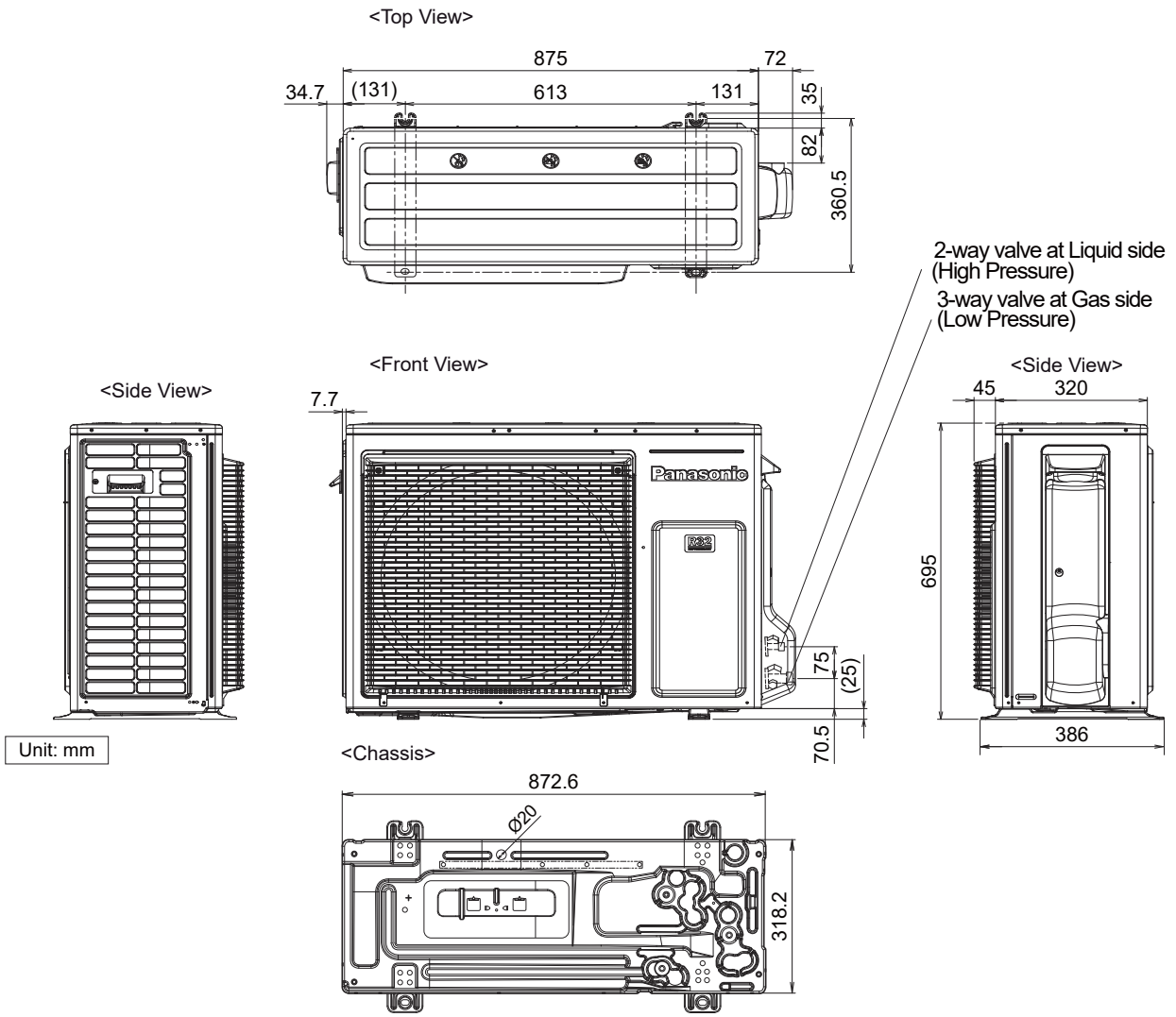
1-2-2. Outdoor Unit

1-2-2-1. PZ3 U-25PZ3R5, U-36PZ3R5, U-50PZ3R5



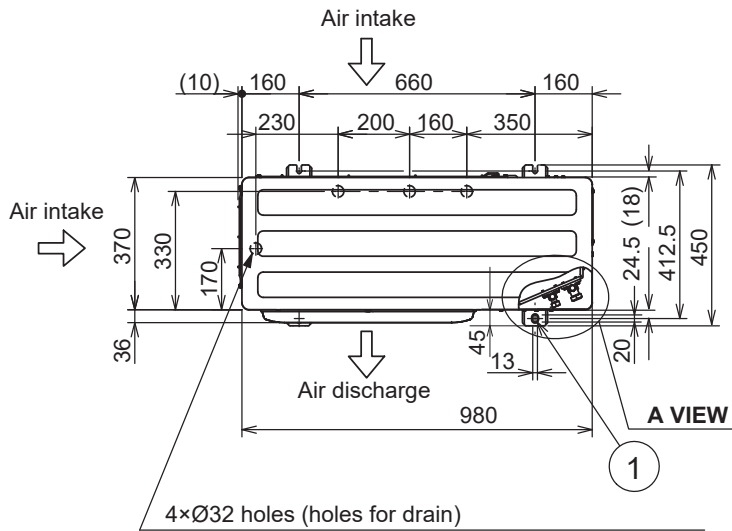
Unit: mm

1-2-2-1. PZ3 U-60PZ3R5, U-71PZ3R5



1-2-2-1. PZ3 U-100PZ3R5, U-125PZ3R5, U-140PZ3R5
U-100PZ3R8, U-125PZ3R8, U-140PZ3R8

Unit: mm



①	Mounting hole (4-R6.5), anchor bolt : M10
②	Refrigerant tubing (liquid tube), flared connection (Ø9.52)
③	Refrigerant tubing (gas tube), flared connection (Ø15.88)
④	Refrigerant tubing port
⑤	Electrical wiring port (Ø13)
⑥	Electrical wiring port (Ø22)
⑦	Electrical wiring port (Ø27)
⑧	Electrical wiring port (Ø35)

When using a drain pipe, install the drain socket (field supply) on to the drain hole. Seal the other drain hole with the rubber cap.

