

### 2-PIPE Mini-FSV LE2 Series

kW		12.1		12.1		14.0		14.0		15.5		15.5			
Model name		U-4LE2R5		U-4LE2R8		U-5LE2R5		U-5LE2R8		U-6LE2R5		U-6LE2R8			
Power supply		230/240V/1-phase/50Hz		400/415V/3-phase/50Hz		230/240V/1-phase/50Hz		400/415V/3-phase/50Hz		230/240V/1-phase/50Hz		400/415V/3-phase/50Hz			
Voltage		230V	240V	400V	415V	230V	240V	400V	415V	230V	240V	400V	415V		
Capacity	Cooling	kW	12.1	12.1	14.0	14.0	15.5	15.5							
		BTU/h	41,300	41,300	47,800	47,800	52,900	52,900							
	Heating	kW	12.5	12.5	16.0	16.0	16.5	16.5							
		BTU/h	42,700	42,700	54,600	54,600	56,300	56,300							
EER/COP	Cooling	W/W	4.50	4.50	4.06	4.06	3.73	3.73							
	Heating	W/W	5.19	5.19	4.60	4.60	4.27	4.27							
Dimensions (H/W/D)		996 x 980 x 370		996 x 980 x 370		996 x 980 x 370		996 x 980 x 370		996 x 980 x 370		996 x 980 x 370			
Net weight		kg		106		106		106		106		106			
Electrical ratings	Cooling	Running current	A	12.70	12.20	4.17	4.02	16.30	15.60	5.30	5.11	19.40	18.60	6.37	6.14
		Power input	kW	2.69	2.69	2.69	2.69	3.45	3.45	3.45	3.45	4.15	4.15	4.15	4.15
	Heating	Running current	A	11.60	11.20	3.78	3.64	16.60	15.90	5.34	5.15	18.20	17.50	5.93	5.71
		Power input	kW	2.41	2.41	2.41	2.41	3.48	3.48	3.48	3.48	3.86	3.86	3.86	3.86
Starting current		A		1		1		1		1		1			
Air flow rate		m <sup>3</sup> /h		4,140		4,140		4,320		4,320		4,440			
		L/s		1,150		1,150		1,200		1,200		1,233			
Refrigerant amount at shipment		kg		R410A 6.70		R410A 6.70		R410A 6.70		R410A 6.70		R410A 6.70			
Piping connection	Gas pipe	mm (inches)	Ø15.88 (Ø5/8)		Ø15.88 (Ø5/8)		Ø15.88 (Ø5/8)		Ø15.88 (Ø5/8)		Ø15.88 (Ø5/8)		Ø15.88 (Ø5/8)		
	Liquid pipe	mm (inches)	Ø9.52 (Ø3/8)		Ø9.52 (Ø3/8)		Ø9.52 (Ø3/8)		Ø9.52 (Ø3/8)		Ø9.52 (Ø3/8)		Ø9.52 (Ø3/8)		
Ambient temperature operating range		Cooling: -10°CDB~+46°CDB, Heating: -20°CWB~+18°CWB		Cooling: -10°CDB~+46°CDB, Heating: -20°CWB~+18°CWB		Cooling: -10°CDB~+46°CDB, Heating: -20°CWB~+18°CWB		Cooling: -10°CDB~+46°CDB, Heating: -20°CWB~+18°CWB		Cooling: -10°CDB~+46°CDB, Heating: -20°CWB~+18°CWB		Cooling: -10°CDB~+46°CDB, Heating: -20°CWB~+18°CWB		Cooling: -10°CDB~+46°CDB, Heating: -20°CWB~+18°CWB	
Sound pressure level (Cooling)	Normal mode	dB(A)	52.0		52.0		53.0		53.0		54.0		54.0		
	Silent mode (3)	dB(A)	45.0		45.0		46.0		46.0		47.0		47.0		
Sound power level (Cooling)		Normal mode		dB		69.0		69.0		71.0		71.0		73.0	

Global remarks	Rated conditions:		Cooling	Heating
	Indoor air temperature		27°C DB / 19°C WB	20°C DB
	Outdoor air temperature		35°C DB	7°C DB / 6°C WB

These specifications are subject to change without notice. High durable model (with suffix "E") has same specifications. Applies to single phase models only.

### 2-PIPE Mini-FSV LE1 Series

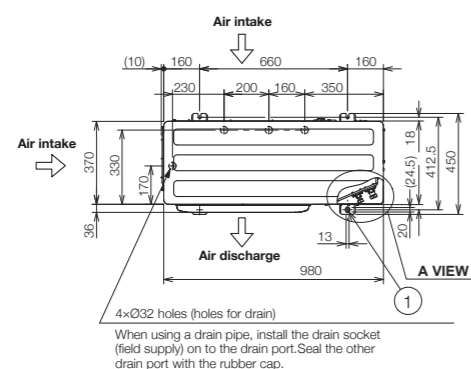
kW		22.4		28.0			
Model name		U-8LE1R8		U-10LE1R8			
Power supply		400/415V/3-phase/50Hz 380/400V/3-phase/60Hz		400/415V/3-phase/50Hz 380/400V/3-phase/60Hz			
Voltage		400V	415V	400V	415V		
Capacity	Cooling	kW	22.4	25.0			
		BTU/h	76,500	85,300			
	Heating	kW	25.0	28.0			
		BTU/h	85,300	95,600			
EER/COP	Cooling	W/W	3.80	3.31			
	Heating	W/W	4.02	3.93			
Dimensions (H/W/D)		mm		1,500 x 980 x 370			
Net weight		kg		132			
Electrical ratings	Cooling	Running current	A	9.15	8.80	11.70	11.30
		Power input	kW	5.89	5.89	7.55	7.55
	Heating	Running current	A	9.65	9.30	11.10	10.70
		Power input	kW	6.22	6.22	7.13	7.13
Starting current		A		1			
Air flow rate		m <sup>3</sup> /h		9,000			
		L/s		2,500			
Refrigerant amount at shipment		kg		R410A 6.30			
Piping connection	Gas pipe	mm (inches)	Ø19.05 (Ø3/4)		Ø22.22 (Ø7/8)		
	Liquid pipe	mm (inches)	Ø9.52 (Ø3/8)		Ø9.52 (Ø3/8)		
Ambient temperature operating range		Cooling: -10°CDB~+46°CDB, Heating: -20°CWB~+18°CWB		Cooling: -10°CDB~+46°CDB, Heating: -20°CWB~+18°CWB			
Sound pressure level (Cooling)	Normal mode	dB(A)	60.0		62.0		
	Silent mode (3)	dB(A)	53.0		55.0		
Sound power level (Cooling)		Normal mode		dB		81.0	

Global remarks	Rated conditions:		Cooling	Heating
	Indoor air temperature		27°C DB / 19°C WB	20°C DB
	Outdoor air temperature		35°C DB	7°C DB / 6°C WB

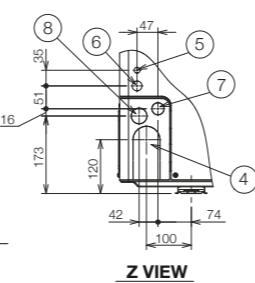
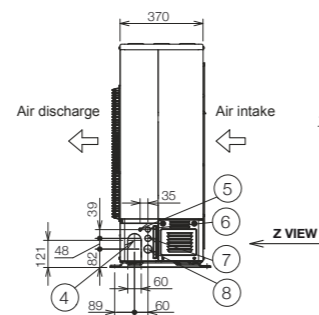
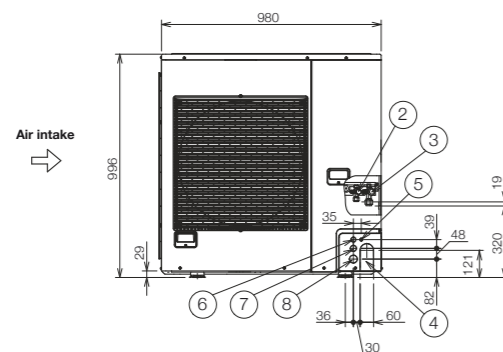
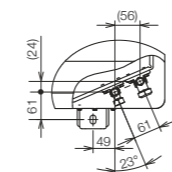
These specifications are subject to change without notice. Anti-corrosion model (with suffix "E") has the same specifications.

### Dimensions

U-4LE2R5 / U-4LE2R8  
U-5LE2R5 / U-5LE2R8  
U-6LE2R5 / U-6LE2R8



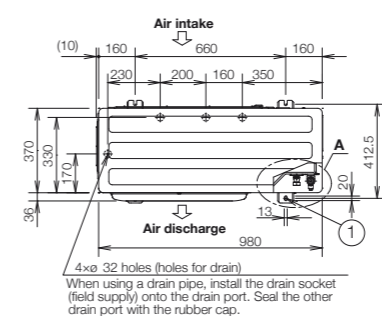
- ① Mounting hole (4-R6.5), anchor bolt : M10
- ② Refrigerant tubing (liquid tube), flared connection (Ø9.52)
- ③ Refrigerant tubing (gas tube), flared connection (Ø15.88)
- ④ Refrigerant tubing port
- ⑤ Electrical wiring port (Ø13)
- ⑥ Electrical wiring port (Ø22)
- ⑦ Electrical wiring port (Ø27)
- ⑧ Electrical wiring port (Ø35)



Unit: mm

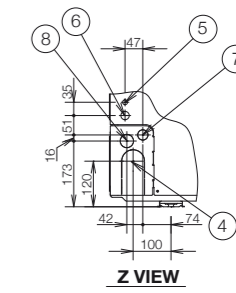
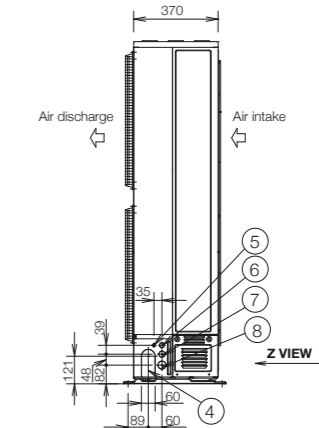
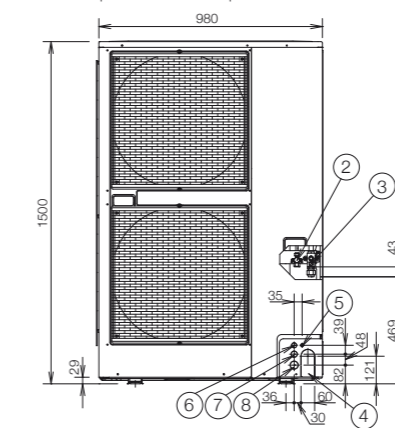
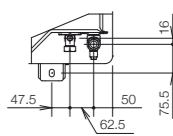
### Dimensions

U-8LE1R8 / U-10LE1R8



- ① Mounting hole (4-R6.5), anchor bolt : M10
- ② Refrigerant tubing (liquid tube), flared connection (Ø9.52) for 8-10 HP finally.
- ③ Refrigerant tubing (gas tube), flared connection (Ø19.05)
- ④ Refrigerant tubing port
- ⑤ Electrical wiring port (Ø13)
- ⑥ Electrical wiring port (Ø22)
- ⑦ Electrical wiring port (Ø27)
- ⑧ Electrical wiring port (Ø35)

**For U-10LE1H7**  
The tubing of the gas main has a diameter of Ø22.22, but the connection to the service valve of the outdoor unit has a diameter of Ø19.05, so a flare has to be used. Consequently, be sure to use the enclosed joint tube B and joint tube A in making connections (braze).



Unit: mm