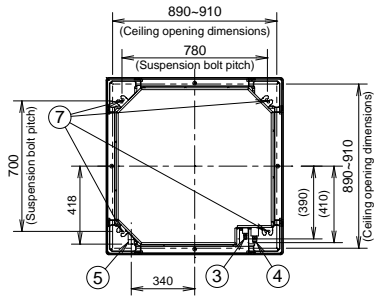
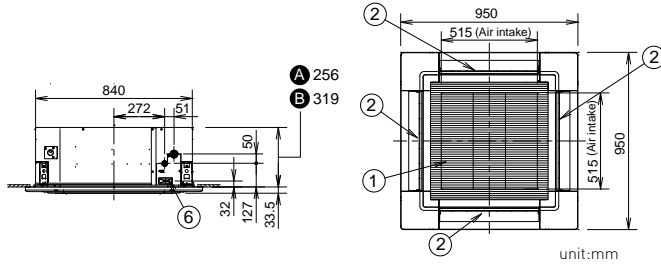


4-WAY CASSETTE Dimensions



- Ⓐ S-18PU3QA/S-18PU3Q/S-21PU3QA/S-21PU3Q/S-24PU3QA/S-24PU3Q
- Ⓑ S-30PU3Q/S-34PU3QA/S-34PU3Q/S-43PU3QA/S-43PU3Q/S-48PU3QA/S-48PU3Q/S-3448PU3QA/S-3448PU3Q



- ① Air intake
- ② Discharge outlet
- ③ Refrigerant tubing (liquid tube)
- ④ Refrigerant tubing (gas tube)
- ⑤ Drain tube connection port VP25 (outer dia. ϕ 32)
- ⑥ Power supply port
- ⑦ Suspension bolt hole (4-12x30 elongated hole)

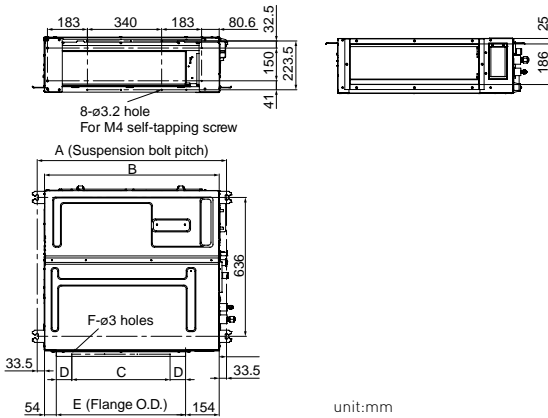
<Filter dimension> 520 x 520 x 15

ADAPTIVE DUCTED Dimensions

S-1821PF3Q/S-2430PF3Q/S-3448PF3Q

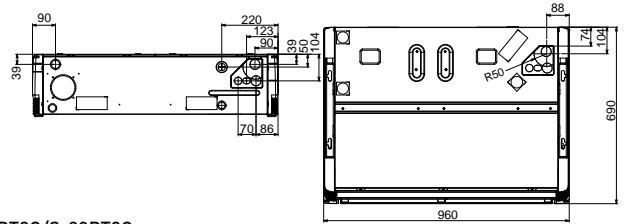
Detailed dimensions of indoor unit

Type	A mm	B mm	C mm	D mm	E mm	F Qty
1821	867	800	450 (Pitch 150 x 3)	71	592	12
2430	1,067	1,000	750 (Pitch 150 x 5)	21	792	16
3448	1,467	1,400	1,050 (Pitch 150 x 7)	71	1,192	20

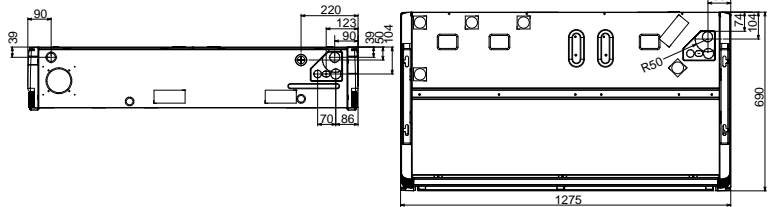


CEILING EXPOSED Dimensions

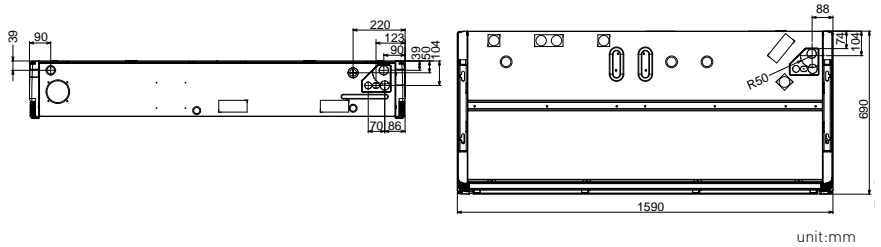
S-18PT3QA/S-18PT3Q
S-21PT3QA/S-21PT3Q



S-24PT3QA/S-24PT3Q/S-30PT3Q

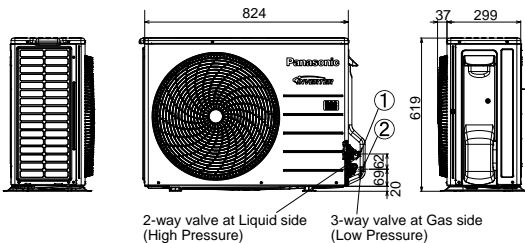


S-34PT3QA/S-34PT3Q/S-43PT3QA/S-43PT3Q/S-48PT3QA/S-48PT3Q/S-3448PT3QA/S-3448PT3Q



OUTDOOR UNITS Dimensions

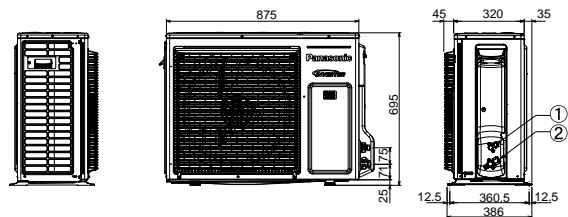
U-18PR1Q6/U-21PR1Q6/U-24PR1Q6



- ① Refrigerant tubing (liquid tube), flared connection (ϕ 6.35"/9.52")
- ② Refrigerant tubing (gas tube), flared connection (ϕ 12.70"/15.88")

*1 For U-18/21PR
*2 For U-24PR
*Mounting hole (4-R6.5), anchor bolt : M10

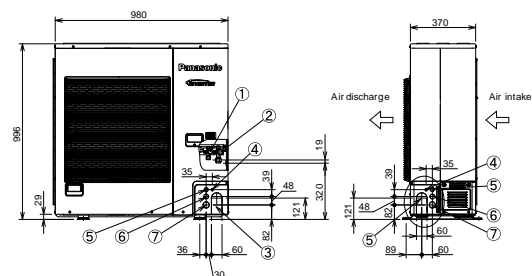
U-18PRH1Q6/U-21PRH1Q6/U-24PRH1Q6/U-30PR1Q6/U-34PR1Q6



- ① Refrigerant tubing (liquid tube), flared connection (ϕ 6.35"/9.52")
- ② Refrigerant tubing (gas tube), flared connection (ϕ 12.70"/15.88")

*3 For U-18/21PRH
*4 For U-24PRH and U-30/34PR
*Mounting hole (4-R6.5), anchor bolt : M10

U-34PRH1Q6/U-43PRH1Q6/U-43PR1Q6/U-43PRH1Q9/U-43PR1Q9/U-48PRH1Q6
U-48PR1Q6/U-48PRH1Q9/U-48PR1Q9



- ① Refrigerant tubing (liquid tube), flared connection (ϕ 9.52)
- ② Refrigerant tubing (gas tube), flared connection (ϕ 15.88)
- ③ Refrigerant tubing port
- ④ Electrical wiring port (ϕ 13)
- ⑤ Electrical wiring port (ϕ 22)
- ⑥ Electrical wiring port (ϕ 27)
- ⑦ Electrical wiring port (ϕ 35)

*Mounting hole (4-R6.5), anchor bolt : M10

unit:mm