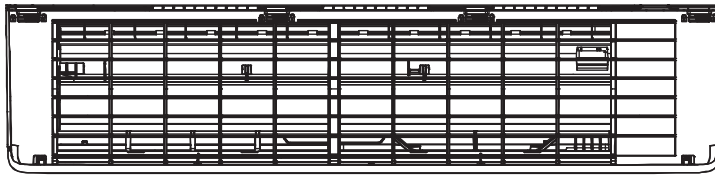


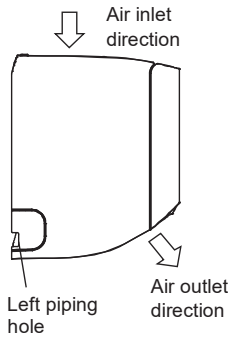
Dimensions

1 Indoor Unit

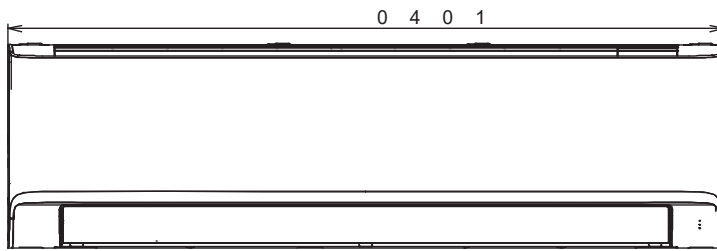
<Top View>



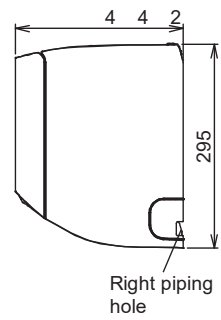
<Side View>



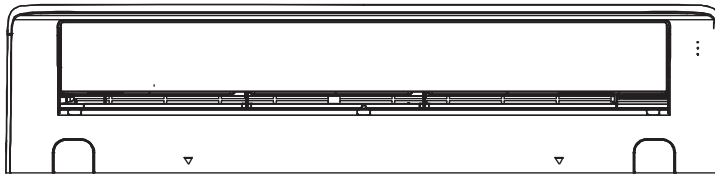
<Front View>



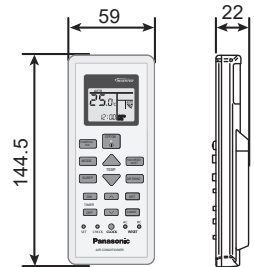
<Side View>



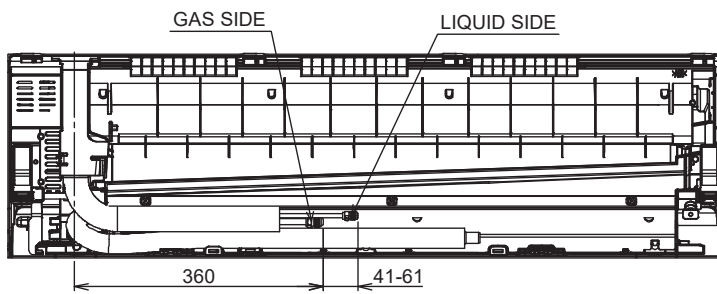
<Bottom View>



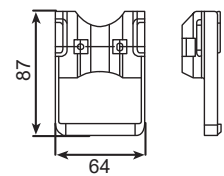
<Remote Control>



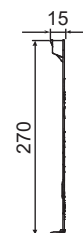
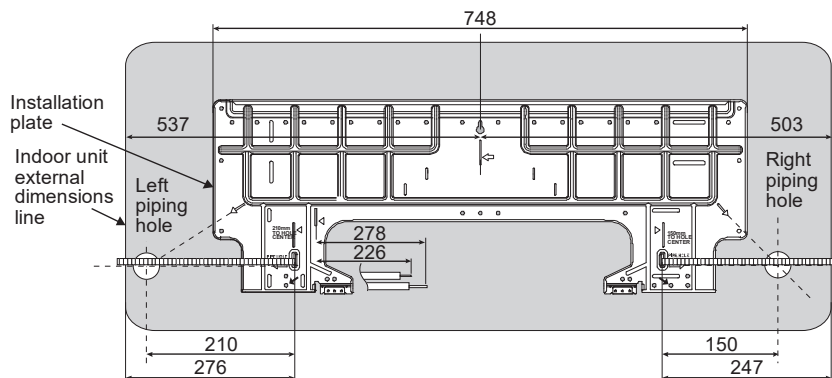
<Rear View>



<Remote Control Holder>

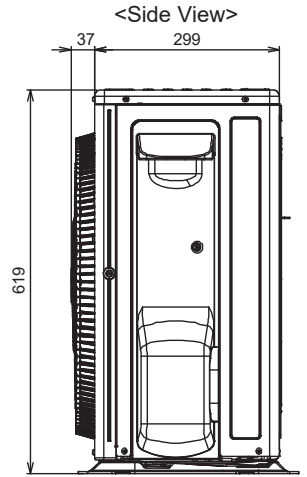
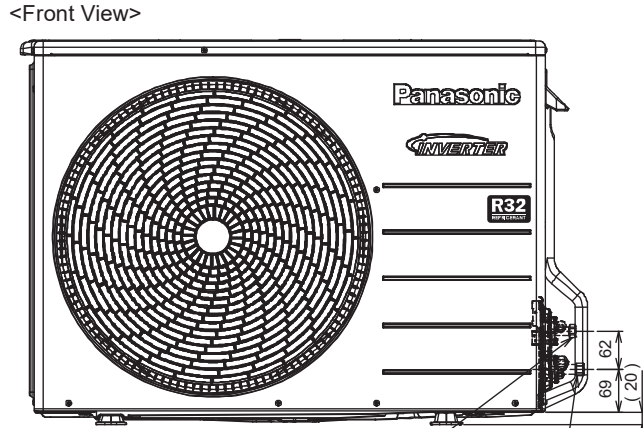
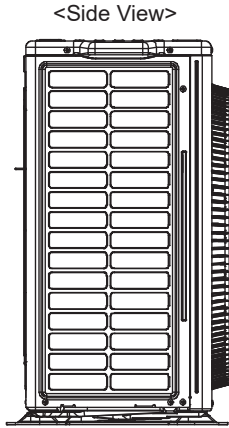
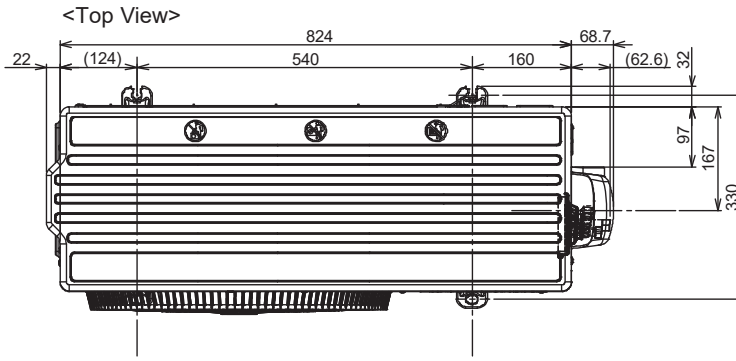
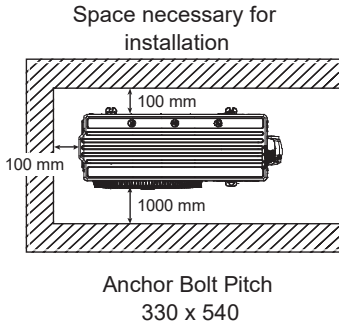


Relative position between the indoor unit and the installation plate <Front View>



Unit: mm

2 Outdoor Unit



Unit: mm

2-way valve at Liquid side (High Pressure)
3-way valve at Gas side (Low Pressure)